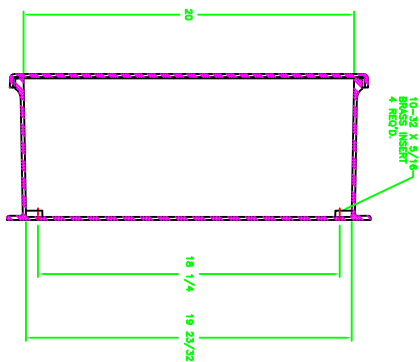
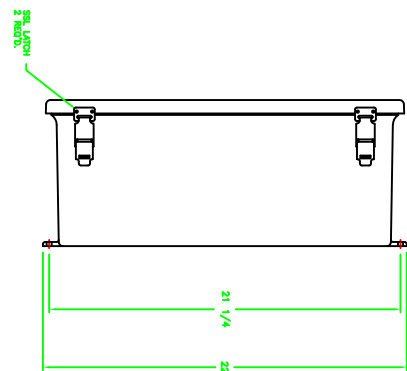
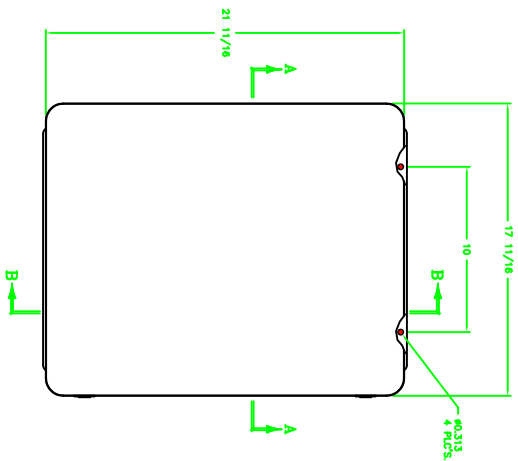
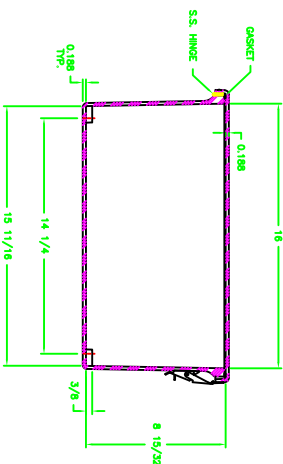
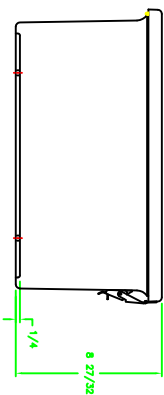


23369



SECTION B-B



SECTION A-A

UNCONTROLLED DRAWING

(DATA SUBJECT TO CHANGE WITHOUT NOTICE)

FOR ADDITIONAL HELP CONTACT ENGINEERING@ADALET.com

Xref I:\BORDERS\PSIZE.DWG

MAX-FG-201808CHQR

FIBERGLASS

CLB

9/19/06

1=4

D

23369

10F1

MAX-FG-201808CHQR