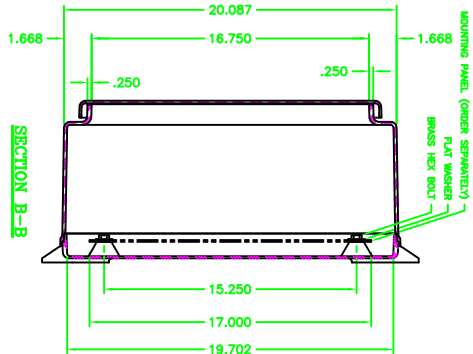
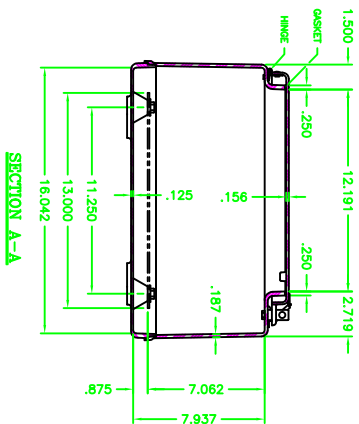
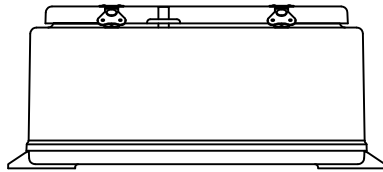
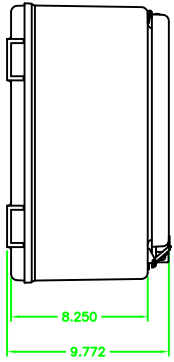
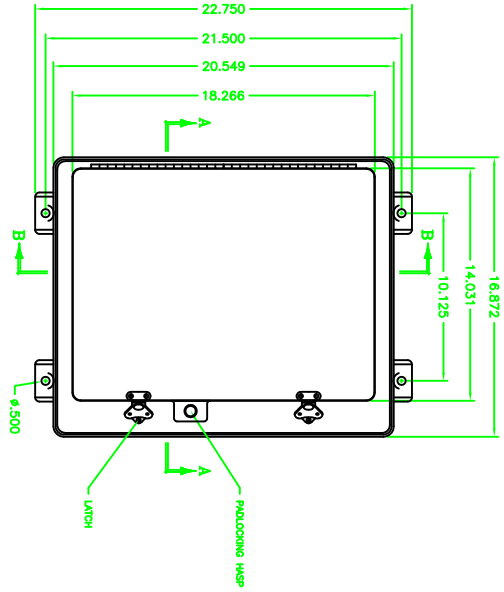


# UNCONTROLLED DRAWING

(DATA SUBJECT TO CHANGE WITHOUT NOTICE)

FOR ADDITIONAL HELP CONTACT ENGINEERING@ADALET.COM

Xref I:\BORDERS\DSIZE.DWG



23379

MAX-FG-201608CH ENCLOSURE

CLB

5/7/04

FIBERGLASS

1=1

D

MAX-FG-201608CH

23379

10F1