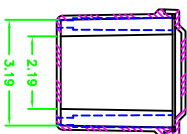
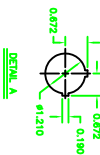
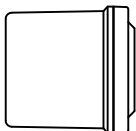
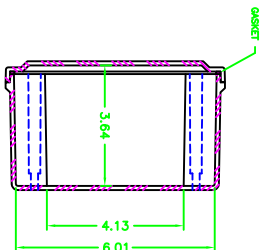
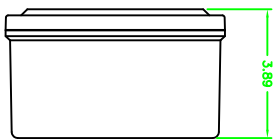
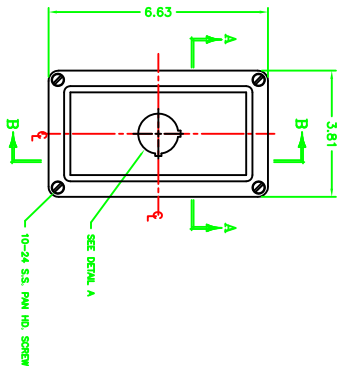


28950



UNCONTROLLED DRAWING

(DATA SUBJECT TO CHANGE WITHOUT NOTICE)

FOR ADDITIONAL HELP CONTACT ENGINEERING@ADALET.com

Xref I:\BORDERS\DSIZE.DWG

MMK-FG-1PB

Q1B

5/6/06

FIBERGLASS

1-2

D

MMK-FG-1PB

28950

10F1