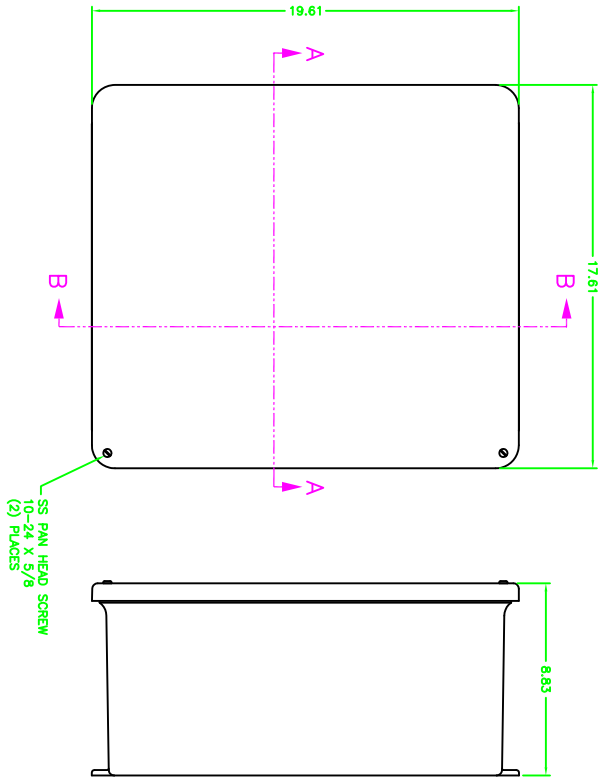
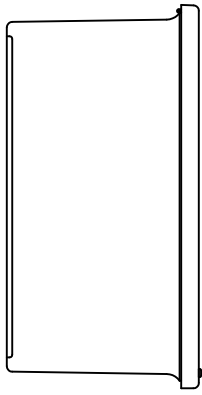
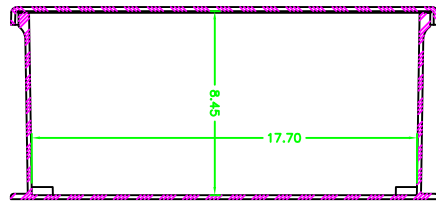


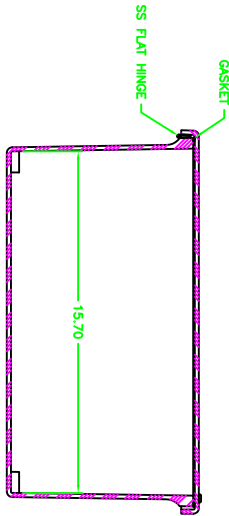
23348



SECTION B-B



SECTION A-A



BOX WITH COVER REMOVED

