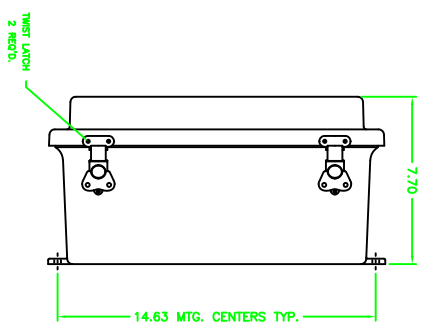
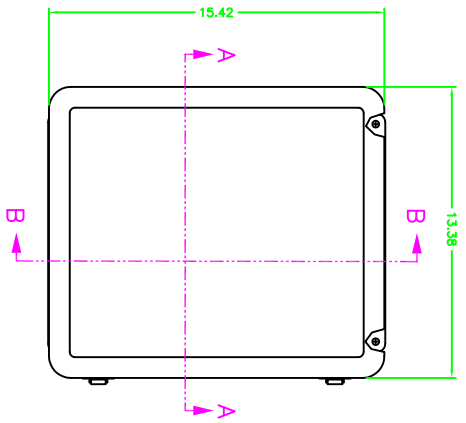
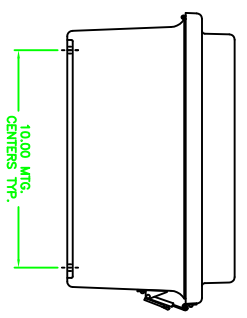
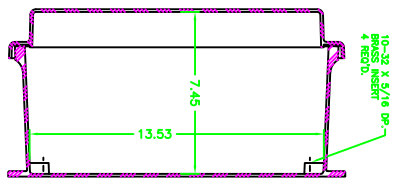


DATE	DESCRIPTION	BY	CHKD	DATE
------	-------------	----	------	------

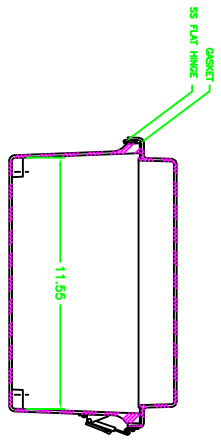
23359



SECTION B-B



SECTION A-A



10/27/08 10:37 AM 23359 10F1		10/27/08 1-3 D
ADALET		
13000 ROUTE 44 NORTH CLEVELAND, OHIO 44135 TEL: (216) 885-9900 FAX: (216) 885-9901 WWW.ADALET.COM		
MAX-FC-141207RCHTL FIBERGLASS		MAX-FC-141207RCHTL FIBERGLASS ENCLOSURE