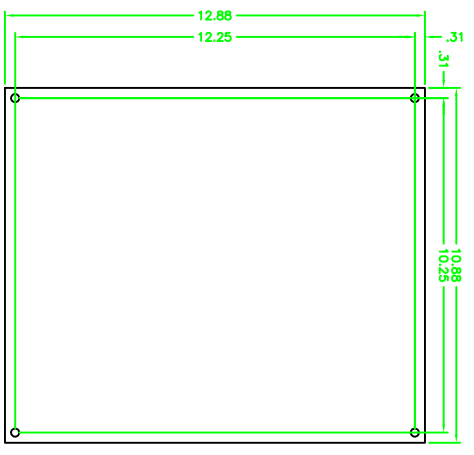
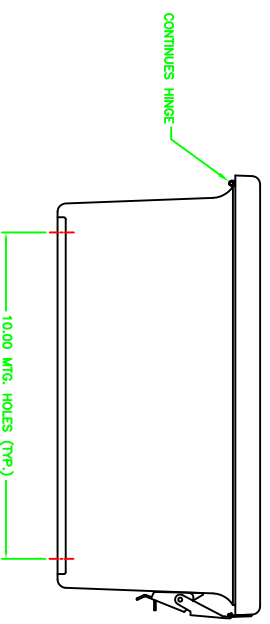
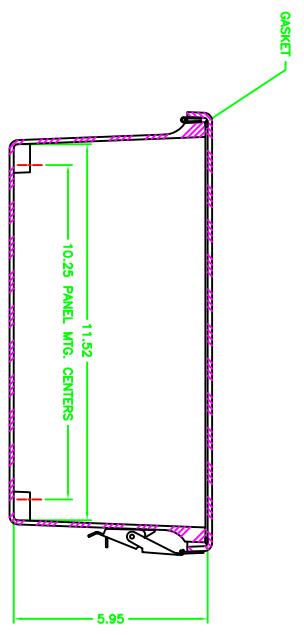


SECTION B-B



OPTIONAL BP1412A MTG. PAN



SECTION A-A

23366

ADALTEC AERIAL SYSTEMS COMPANY 10000 W. 14TH AVENUE DENVER, CO 80202		NAK-F9-141206CH06 FIBERGLASS ENCLOSURE	
DATE: 10/14/05 DRAWN BY: TU CHECKED BY: 1-2 APPROVED BY: D	PART NO: NAK-F9-141206CH06 REV: 10-14-05 QUANTITY: 10F1	PART NO: NAK-F9-141206CH06 REV: 10-14-05 QUANTITY: 10F1	PART NO: NAK-F9-141206CH06 REV: 10-14-05 QUANTITY: 10F1