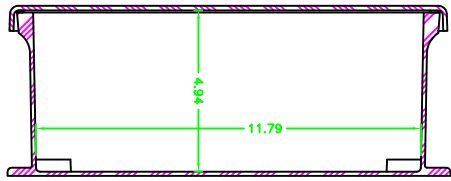
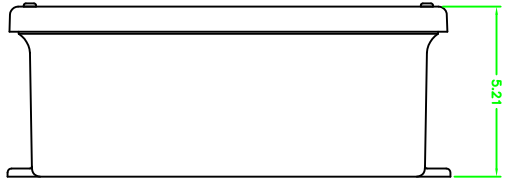
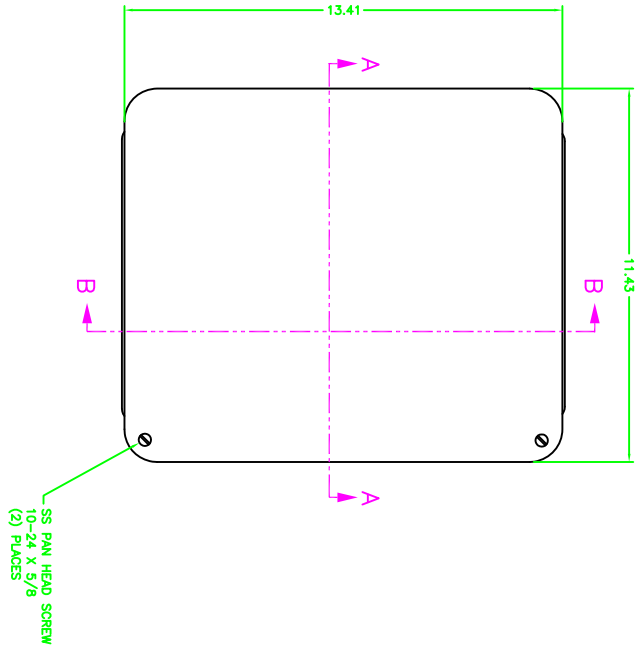
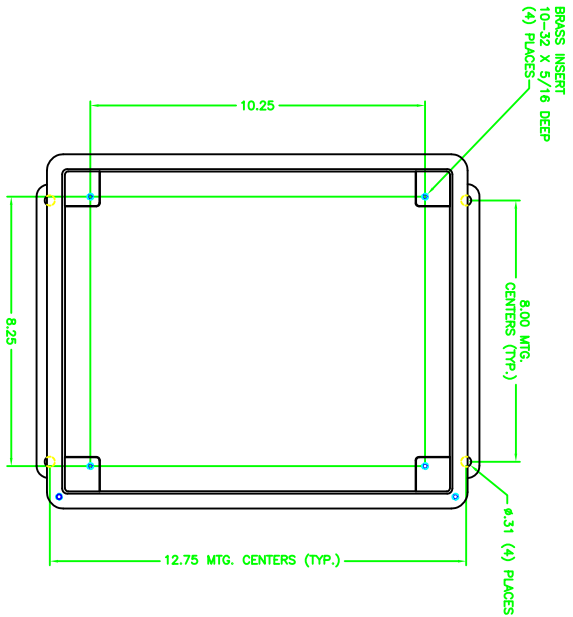


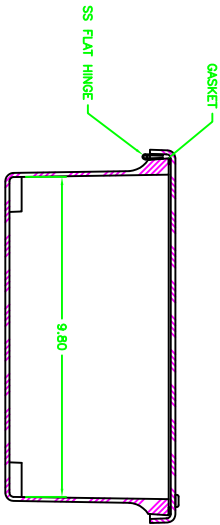
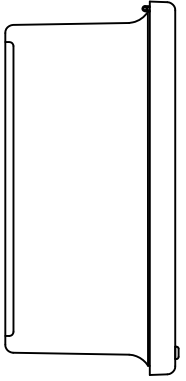
23345



SECTION B-B



BOX WITH COVER REMOVED



SECTION A-A