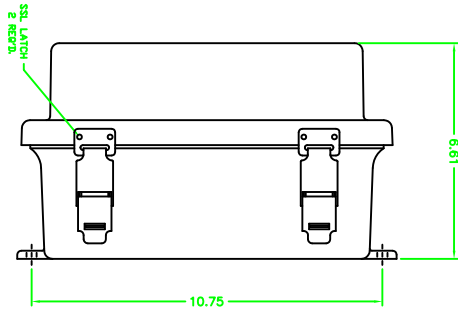
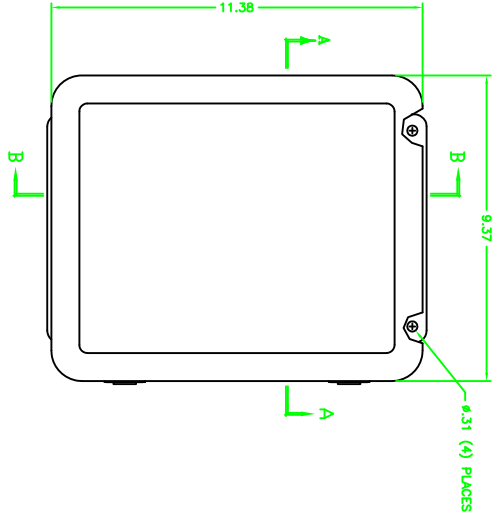
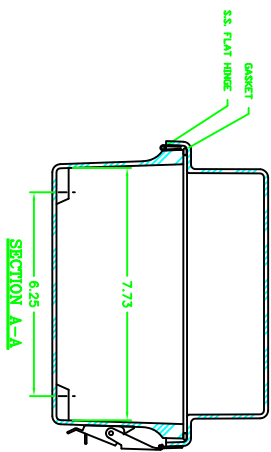
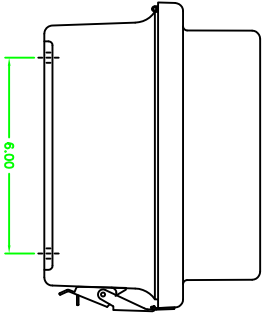
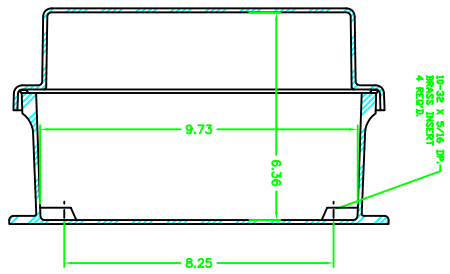


23371



SECTION B-B



UNCONTROLLED DRAWING

(DATA SUBJECT TO CHANGE WITHOUT NOTICE)

FOR ADDITIONAL HELP CONTACT ENGINEERING@ADALET.COM

X:\ref 1\BORDERS\SIZE.DWG

MAX-FG-10080RCHOR

FIBERGLASS

QJB

9/7/04

1-2

D

23371

10F1

MAX-FG-10080RCHOR
ENCLOSURE