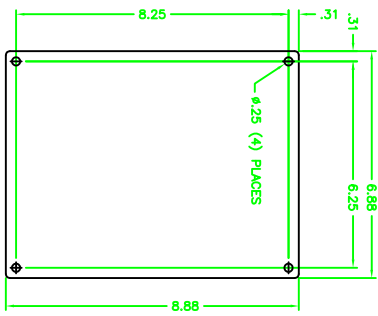
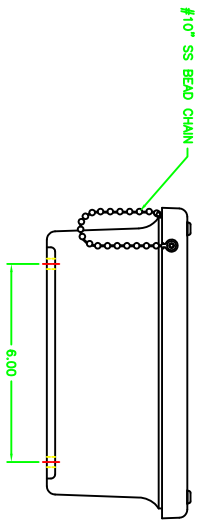
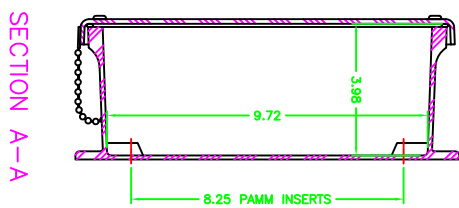
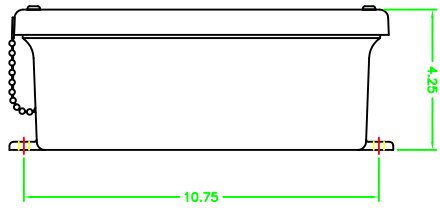
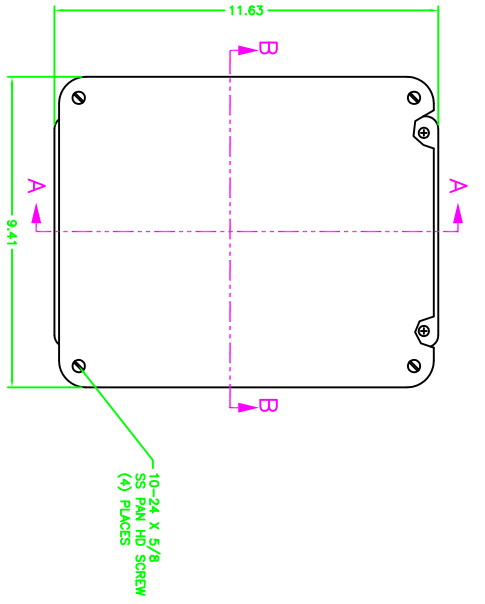
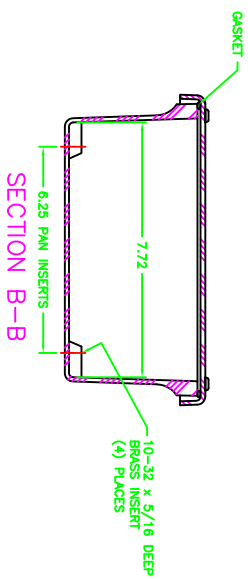


23339



OPTIONAL MOUNTING PAN



UNCONTROLLED DRAWING

(DATA SUBJECT TO CHANGE WITHOUT NOTICE)

FOR ADDITIONAL HELP CONTACT ENGINEERING@ADALET.COM

X:\ref\BORDERS\DSIZE.DWG

23339

TU
 2-22-06
 1-2
 D
 23339 10F1

MAX-RO-10084SC ENCLOSURE

FIBERGLASS

23339