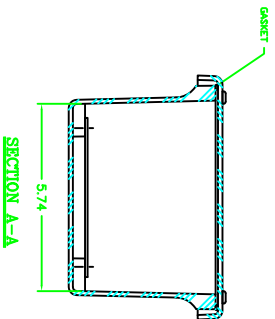
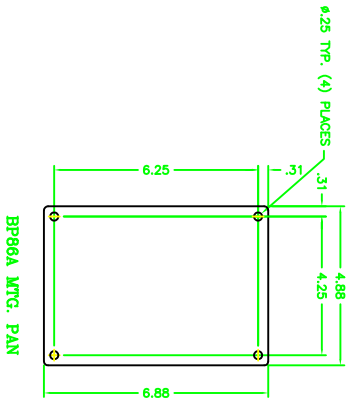
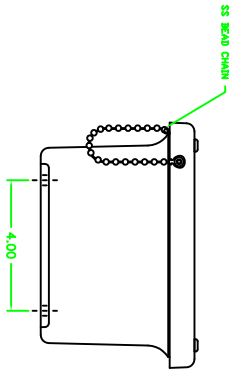
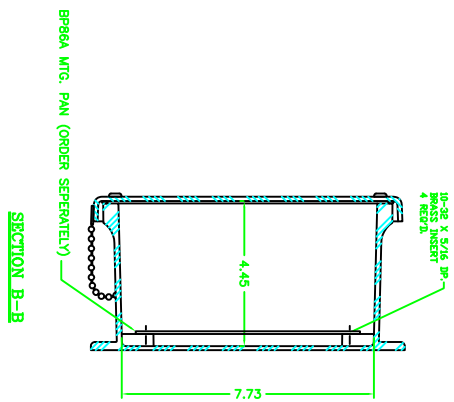
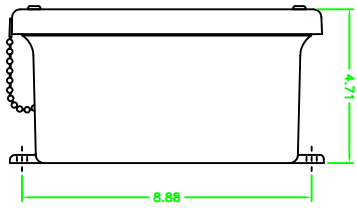
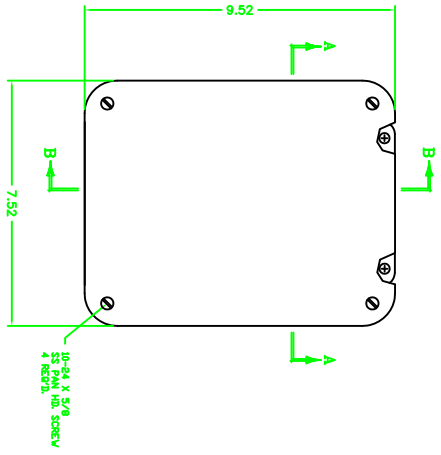


23338



# UNCONTROLLED DRAWING

(DATA SUBJECT TO CHANGE WITHOUT NOTICE)  
FOR ADDITIONAL HELP CONTACT ENGINEERING@ADALET.com

		<b>ADALET</b> CHEMICAL CORP 44138	
10000 W. 10th Street Denver, CO 80231 Phone: 303.440.1100 Fax: 303.440.1101 Email: Engineering@Adalet.com		NAK-FG-23338 ENCLOSURE	
Material: FIBERGLASS		Qty: 10F1	
Date: 4/22/04		Rev: 1-2	
23338		10F1	