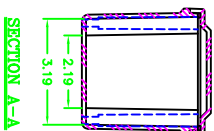
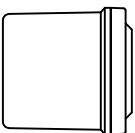
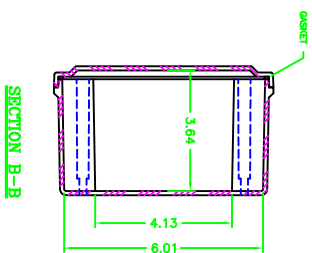
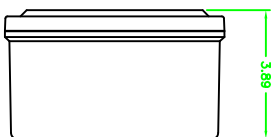
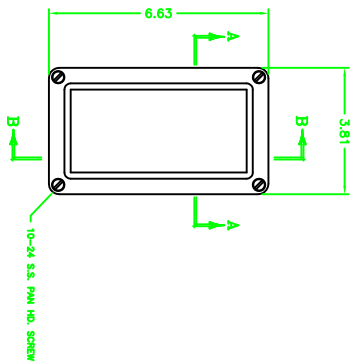


23332



# UNCONTROLLED DRAWING

(DATA SUBJECT TO CHANGE WITHOUT NOTICE)

FOR ADDITIONAL HELP CONTACT ENGINEERING@ADALET.COM

Xref I:\BORDERS\DSIZE.DWG

NKX-FG-080404

CLB

6/9/05

1-2

D

10F1

FIBERGLASS

NKX-FG-080404

23332