

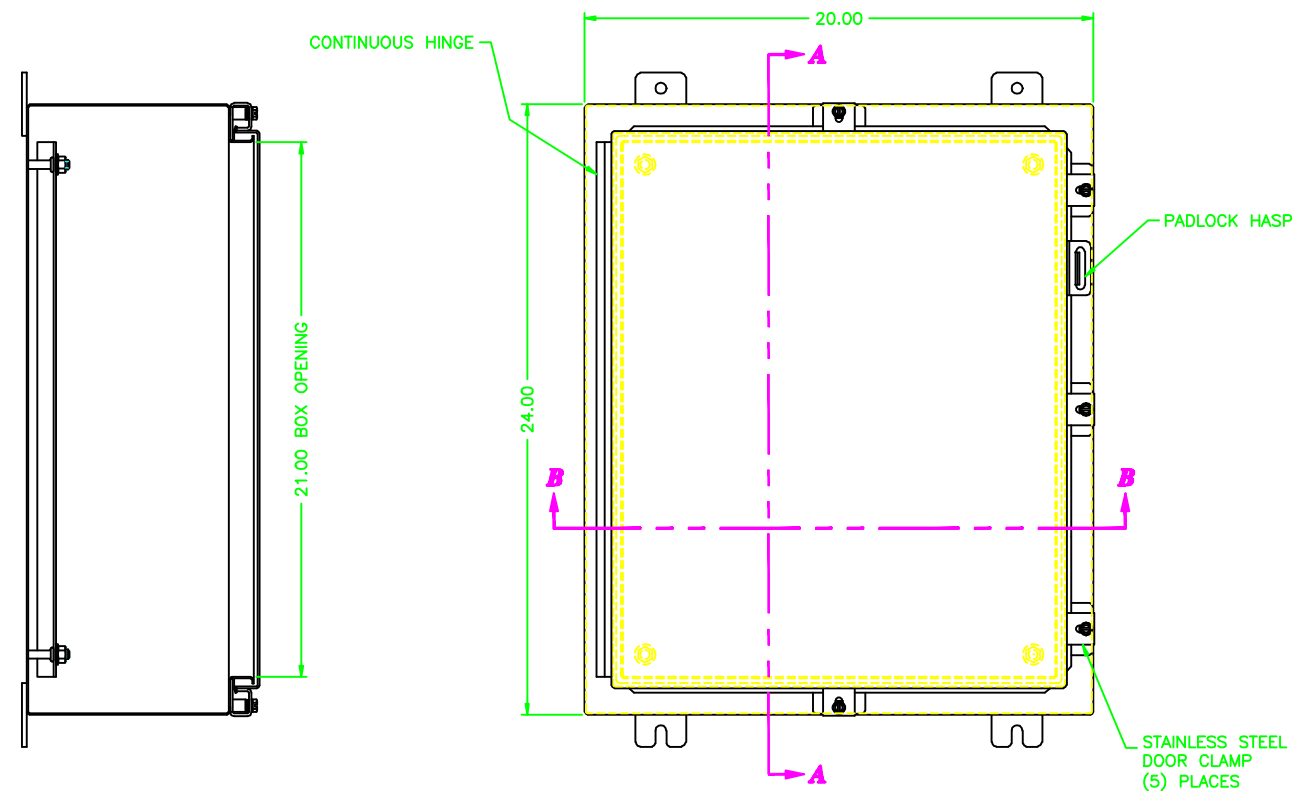
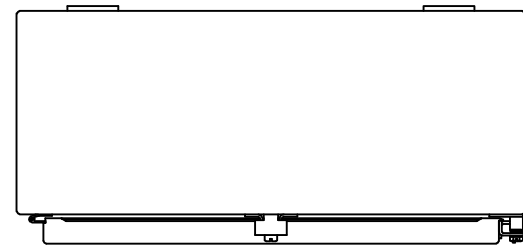
242008

| REV | REVISION        | BY  | BCN | DATE   |
|-----|-----------------|-----|-----|--------|
| A   | INITIAL RELEASE | CLB |     | 7/9/03 |

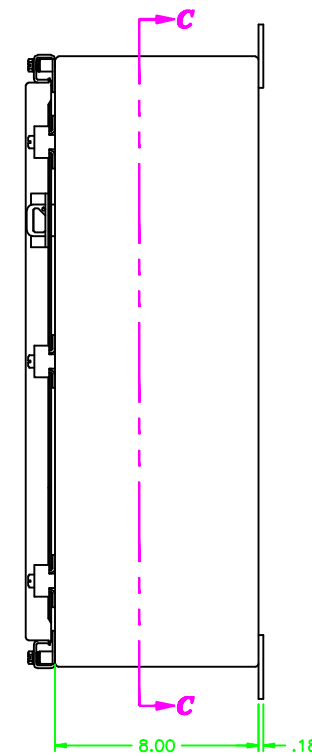
# UNCONTROLLED DRAWING

(DATA SUBJECT TO CHANGE WITHOUT NOTICE)

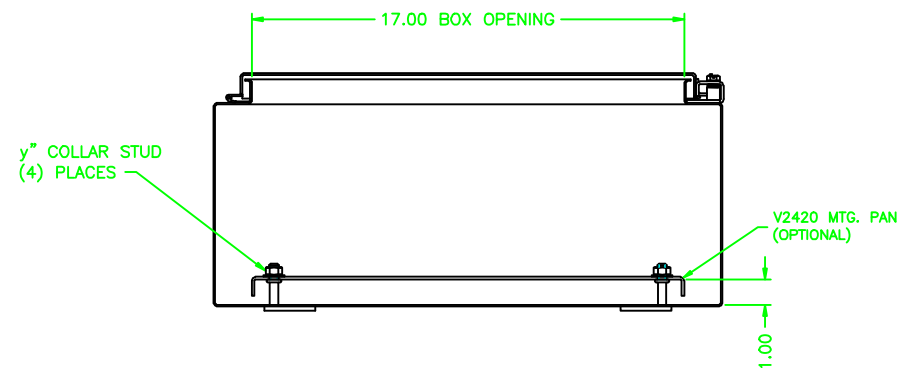
FOR ADDITIONAL HELP CONTACT ENGINEERING@ADALET.com



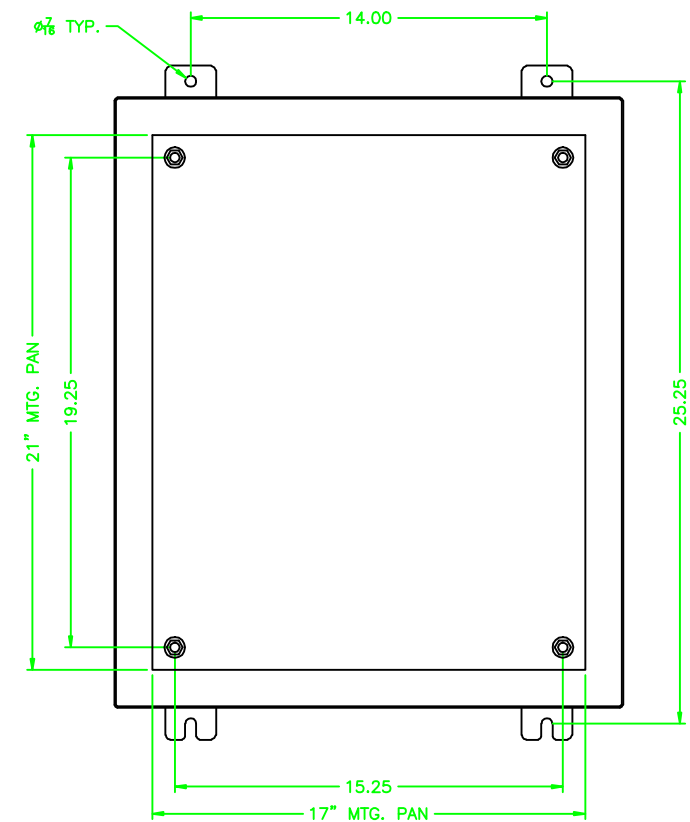
**SECTION A-A**



**SECTION C-C**



**SECTION B-B**



| ENCLOSURE MATERIAL | CATALOG NUMBER | PART NUMBER |
|--------------------|----------------|-------------|
| 88318L             | N4X8-242008    | M10280      |
| 88304              | N4X-242008     | M10136      |

| DO NOT SCALE DRAWING    |                  | UNLESS OTHERWISE SPECIFIED DIMENSIONS ARE IN INCHES.  |                        | SHEET METAL TOLERANCES NOT OTHERWISE SPECIFIED: |  |
|-------------------------|------------------|---|------------------------|---|--|
| FINN                    | ±1/16"           | ADDALET   | A SCOTT FETZER COMPANY |   |  |
| JXX                     | ±.03"            | Engineering Systems • Cable Accessories   |                        |   |  |
| JXX                     | ±.010"           | NOTICE TO PERSONS RECEIVING THIS DRAWING: ADALET CLAIMS PROPRIETARY RIGHTS IN THE MATERIALS, METHODS, AND EQUIPMENT DESCRIBED HEREIN. THIS DRAWING IS ISSUED IN CONFIDENCE FOR ENGINEERING INFORMATION ONLY AND MAY NOT BE REPRODUCED OR USED TO MANUFACTURE, WITHOUT EXPRESS WRITTEN PERMISSION FROM ADALET TO THE USER. |                        |   |  |
| ANGLES                  | ± 0°-30°         | MATERIALS:  |                        |   |  |
| INSIDE BEND RADIUS      | = .040" NOM.     | DRAWN BY: CLB   |                        |   |  |
| WARPAGE                 | = 1/16" PER FOOT | DATE: 7/9/03  |                        |   |  |
| ALL WELD SIZES ARE MIN. |                  | APPROVAL: [Signature]   |                        |   |  |
|                         |                  | SCALE: 1=3.5  |                        |   |  |
|                         |                  | REV: D  |                        |   |  |
|                         |                  | DWG NO: 242008  |                        |   |  |
|                         |                  | SHEET: 10F1   |                        |   |  |
|                         |                  | REV: A  |                        |   |  |