

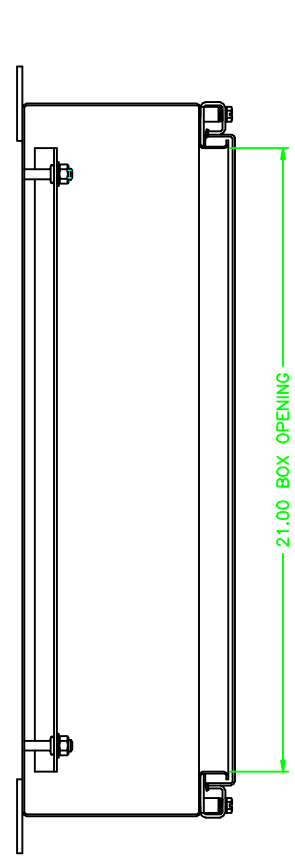
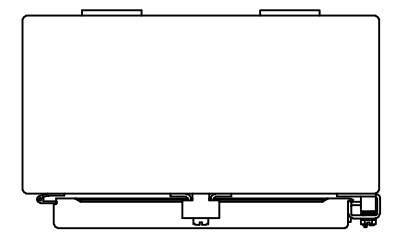
241206

REV	REVISION	BY	BCN	DATE
A	INITIAL RELEASE	CLB		7/8/03

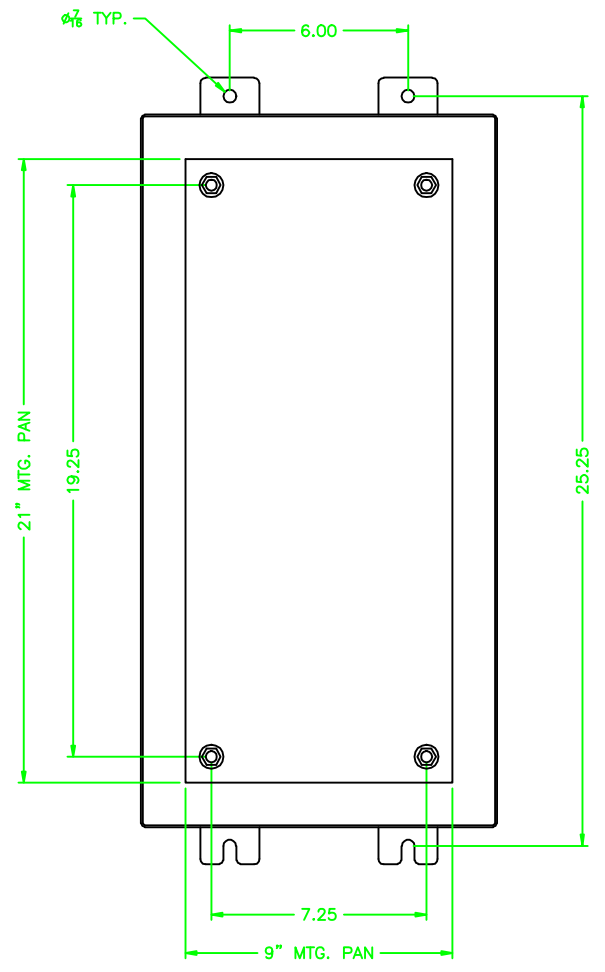
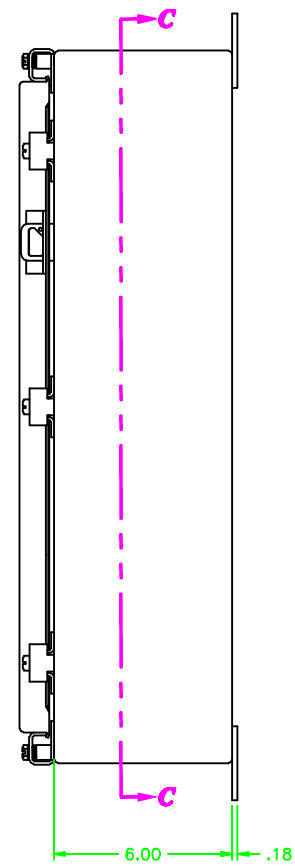
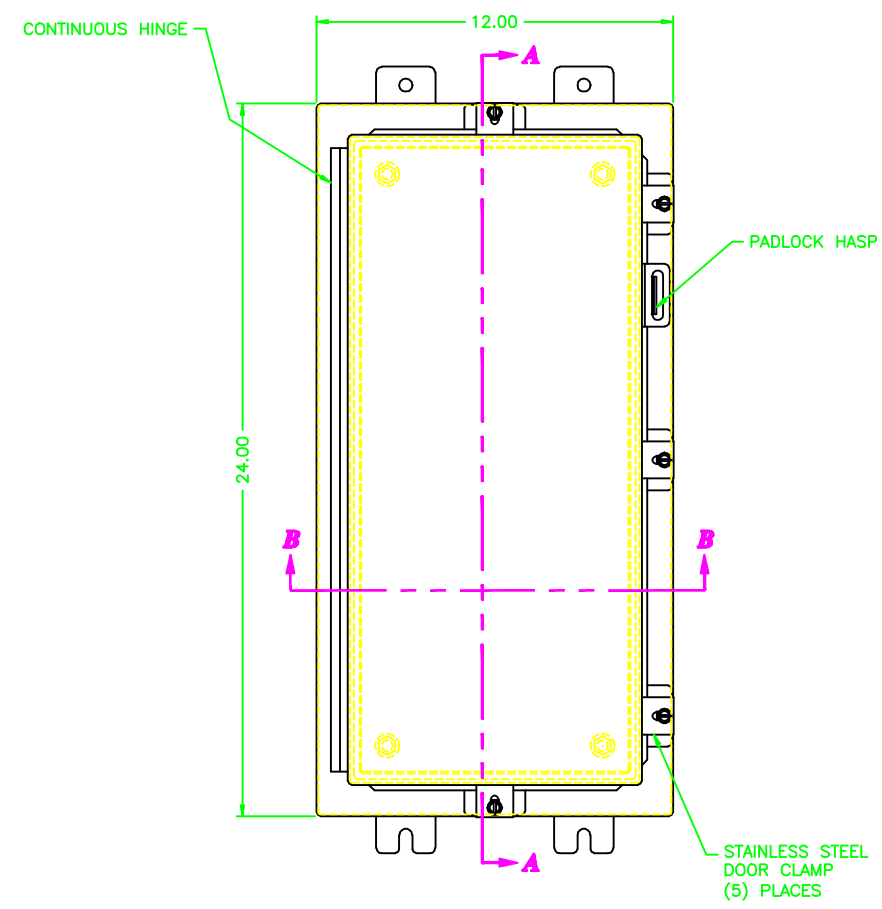
UNCONTROLLED DRAWING

(DATA SUBJECT TO CHANGE WITHOUT NOTICE)

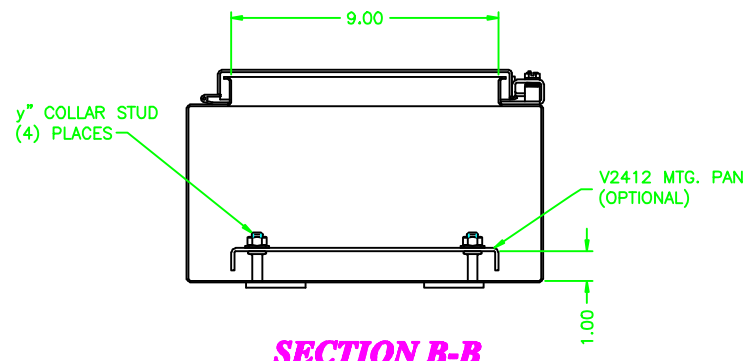
FOR ADDITIONAL HELP CONTACT ENGINEERING@ADALET.com



SECTION A-A



SECTION C-C



SECTION B-B

ENCLOSURE MATERIAL	CATALOG NUMBER	PART NUMBER
SS316L	N4X8-241206	M10211
88304	N4X-241206	M10117

<p>NO SCALE DRAWING</p> <p>UNLESS OTHERWISE SPECIFIED DIMENSIONS ARE IN INCHES.</p> <p>SHEET METAL TOLERANCES NOT OTHERWISE SPECIFIED:</p> <p>FINN ± 1/16"</p> <p>JXX ± .03"</p> <p>JXX ± .010"</p> <p>ANGLES ± 0°-30"</p> <p>INSIDE BEND RADIUS = .040" NOM.</p> <p>WARPAGE = 1/16" PER FOOT</p> <p>ALL WELD SIZES ARE MIN.</p>		<p>ADALET</p> <p>A SCOTT FETZER COMPANY</p> <p>Biological Systems • Cable Assemblies • Control Panels • Enclosures</p>	<p>N4-241206 ENCLOSURE ASSEMBLY</p> <p>DRAWN BY: CLB</p> <p>DATE: 7/8/03</p> <p>REV APPROVAL: 1=3</p> <p>REV APPROVAL: D</p> <p>DWG NO: 241206</p> <p>REV: 10F1</p> <p>REV: A</p>
----------------------------------------------------------------------------------------------------------------------------------------------------------------------------------------------------------------------------------------------------------------------------------------------------------------------------------	--	-------------------------------------------------------------------------------------------------------------------------------	-----------------------------------------------------------------------------------------------------------------------------------------------------------------------------------