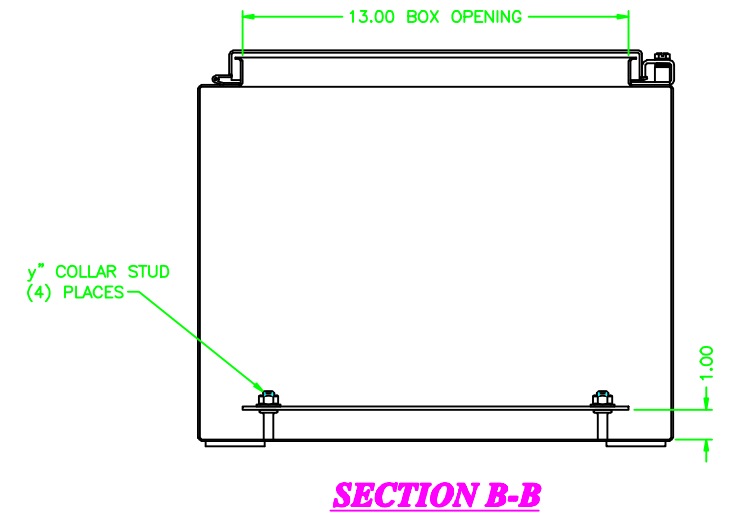
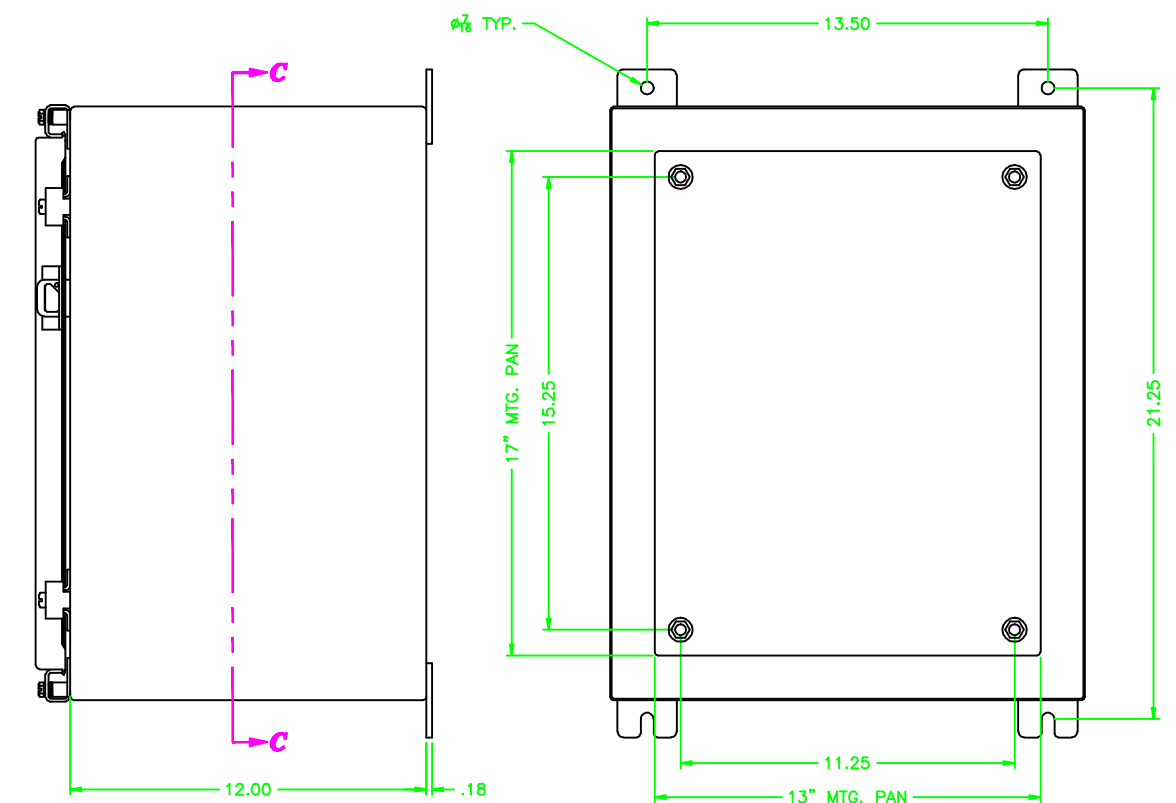
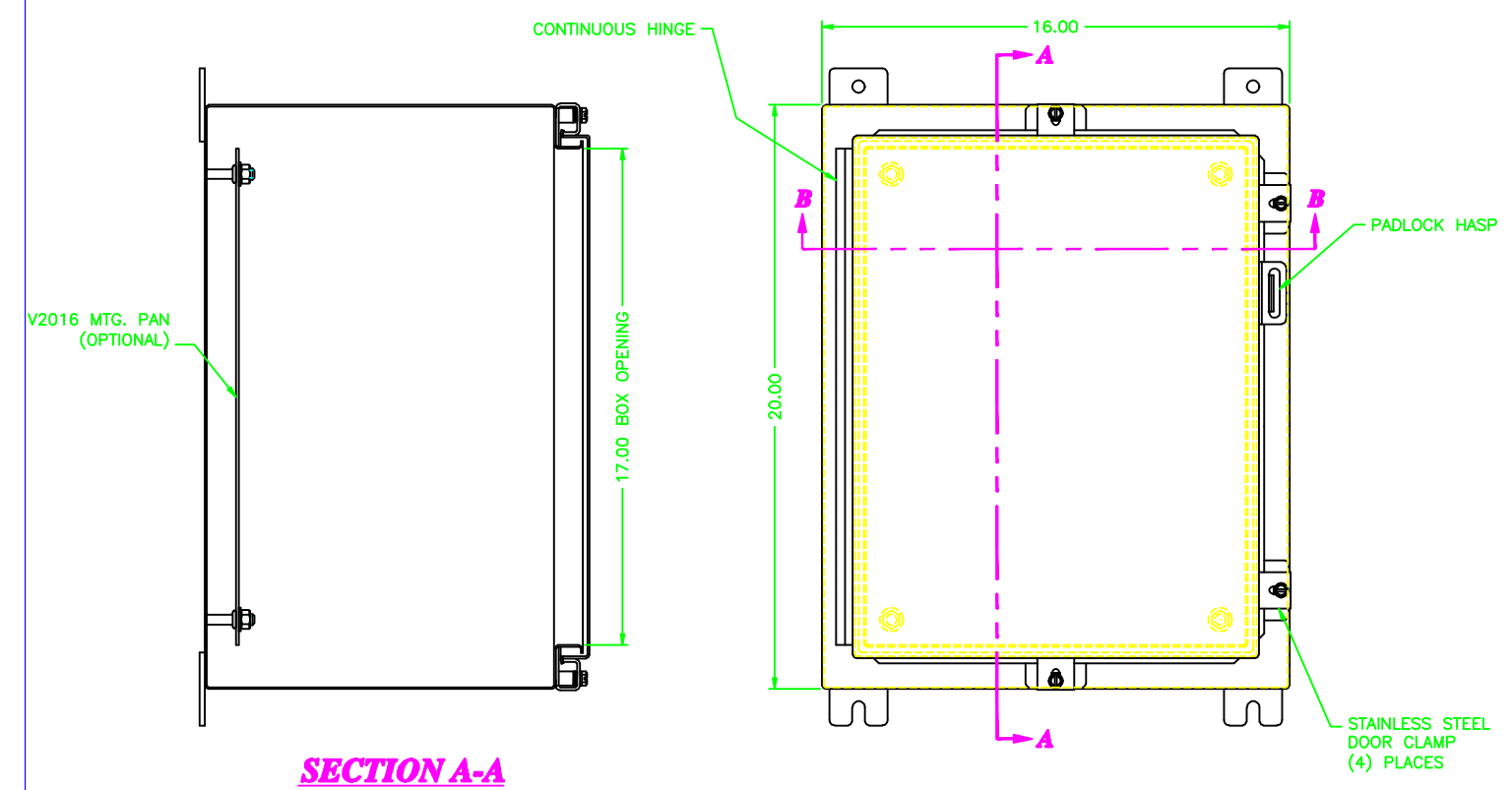


201612

REV	REVISION	BY	BCN	DATE
A	INITIAL RELEASE	CLB		7/16/03

UNCONTROLLED DRAWING

(DATA SUBJECT TO CHANGE WITHOUT NOTICE)
 FOR ADDITIONAL HELP CONTACT ENGINEERING@ADALET.com



ENCLOSURE MATERIAL	CATALOG NUMBER	PART NUMBER
SS316L	N4XB-201612	M10262
SS304	N4X-201612	M10168

ADALET A SCOTT FETZER COMPANY Enclosure Systems • Cable Accessories Communications • 6881		N4-201612 ENCLOSURE ASSEMBLY	
<small>UNLESS OTHERWISE SPECIFIED DIMENSIONS ARE IN INCHES.</small> <small>SHEET METAL TOLERANCES NOT OTHERWISE SPECIFIED:</small> FINC ±1/16" JXX ±.02" JXX ±.010" ANGLES ± 0°-30" INSIDE BEND RADIUS = .040" NOM. WARPAGE = 1/16" PER FOOT ALL WELD SIZES ARE MIN.	<small>NOTICE TO PERSONS RECEIVING THIS DRAWING:</small> ADALET CLAIMS PROPRIETARY RIGHTS IN THE MATERIALS INCORPORATED HEREIN. THIS DRAWING IS ISSUED IN CONFIDENCE FOR ENGINEERING INFORMATION ONLY AND MAY NOT BE REPRODUCED OR USED TO MANUFACTURE, WITHOUT EXPRESS WRITTEN PERMISSION FROM ADALET TO THE USER.	DRAWN BY: CLB DATE: 7/16/03 REV APPROVAL: 1=3 DWG APPROVAL: D DWG NO: 201612 SHEET: 10F1 REV: A	DATE: 7/16/03 DRAWN BY: CLB DATE: 7/16/03 REV APPROVAL: 1=3 DWG APPROVAL: D DWG NO: 201612 SHEET: 10F1 REV: A