

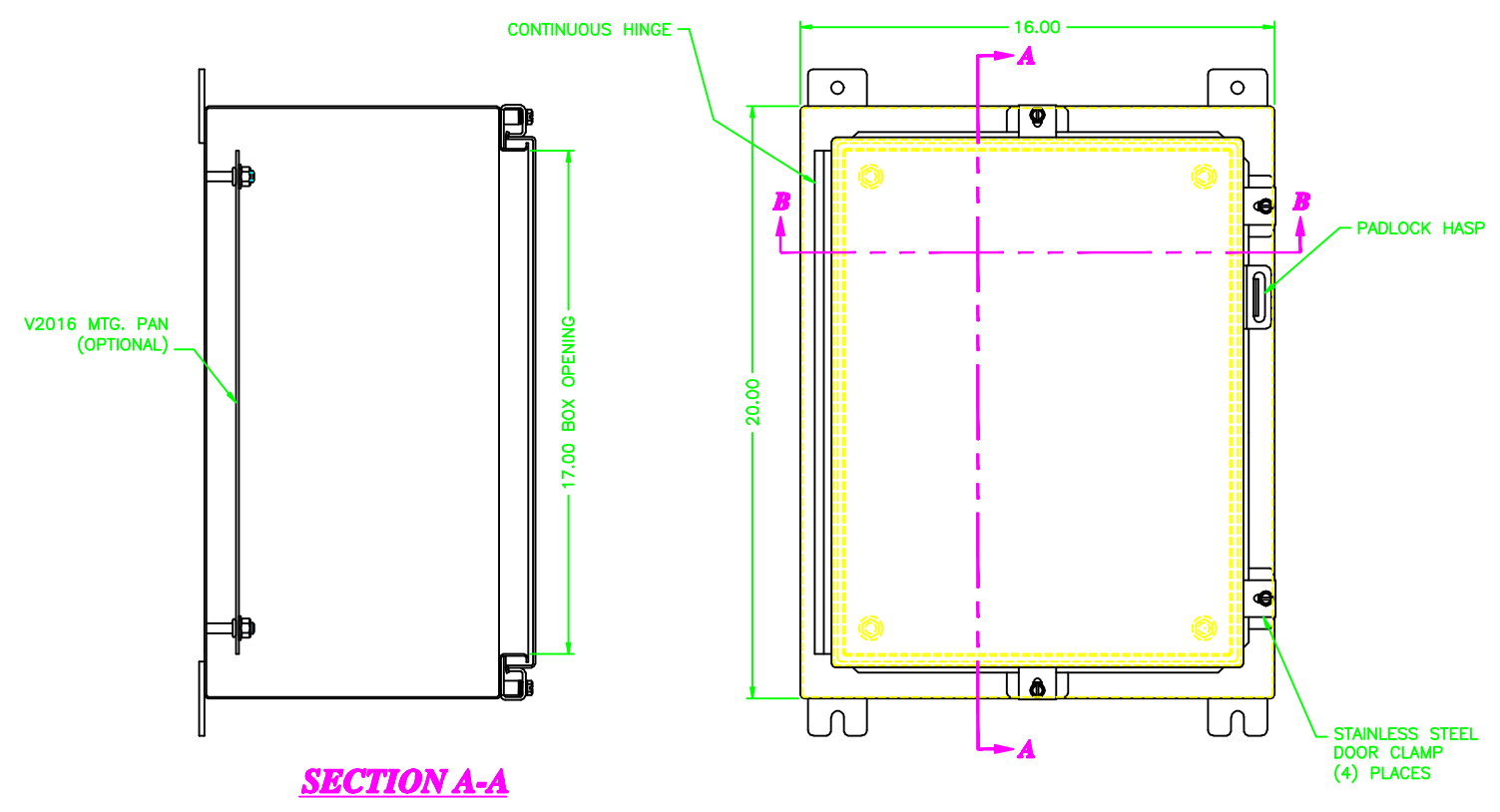
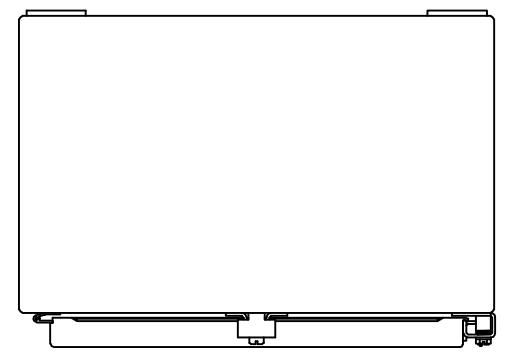
201610

REV	REVISION	BY	DCN	DATE
A	INITIAL RELEASE	CLB		7/11/03

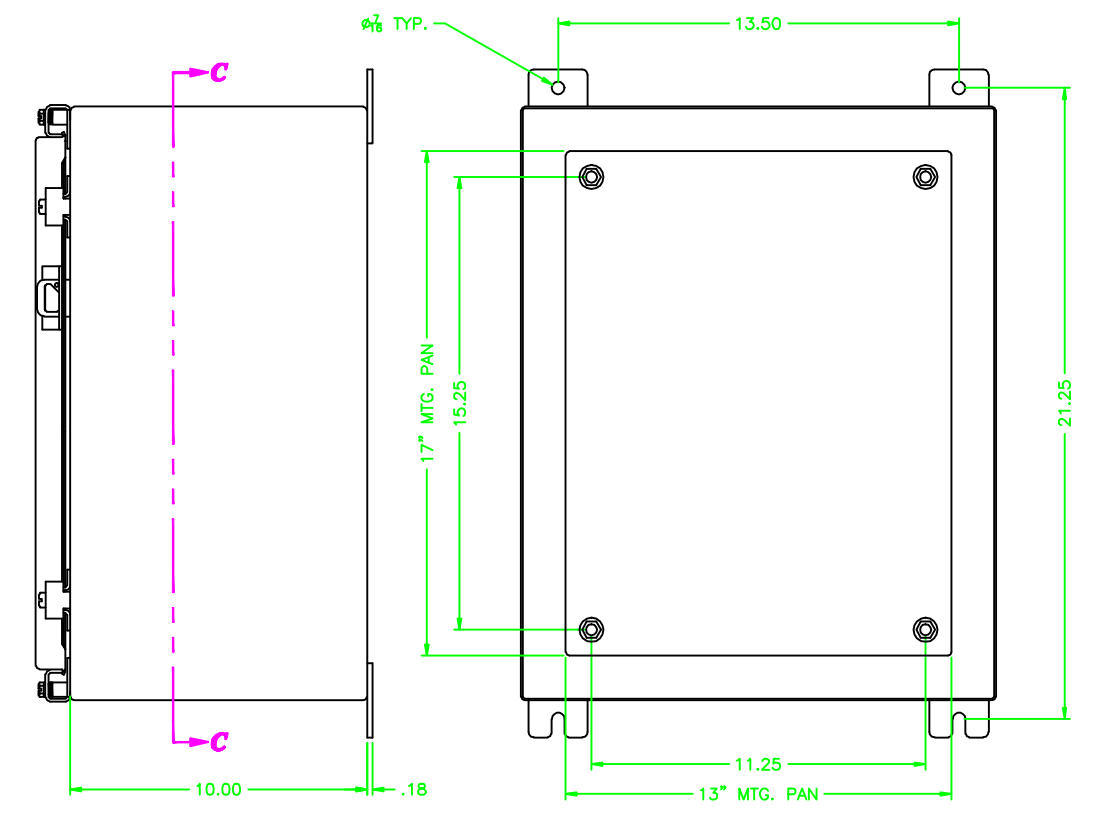
# UNCONTROLLED DRAWING

(DATA SUBJECT TO CHANGE WITHOUT NOTICE)

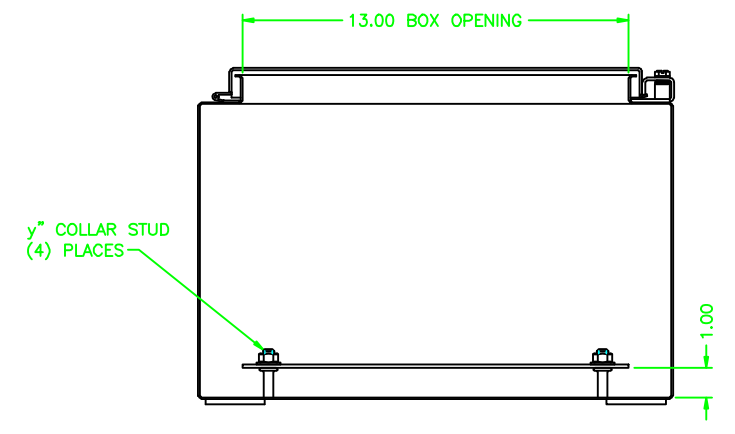
FOR ADDITIONAL HELP CONTACT ENGINEERING@ADALET.com



**SECTION A-A**



**SECTION C-C**



**SECTION B-B**

ENCLOSURE MATERIAL	CATALOG NUMBER	PART NUMBER
SS316L	N4XB-201610	M10248
SS304	N4X-201610	M10154

<p>UNLESS OTHERWISE SPECIFIED DIMENSIONS ARE IN INCHES.</p> <p>SHEET METAL TOLERANCES NOT OTHERWISE SPECIFIED:</p> <p>FINN ±1/16"</p> <p>JXX ±.02"</p> <p>JXX ±.010"</p> <p>ANGLES ± 0°-30"</p> <p>INSIDE BEND RADIUS = .040" NOM.</p> <p>WARPAGE = 1/16" PER FOOT</p> <p>ALL WELD SIZES ARE MIN.</p>		<p><b>ADALET</b></p> <p>A SCOTT FETZER COMPANY</p> <p>Enclosure Systems • Cable Accessories</p> <p>Customer Service 800-451-4444</p>		<p>DATE: 7/11/03</p> <p>DRAWN BY: CLB</p> <p>APPROVAL: M10248</p> <p>SCALE: 1=3</p> <p>REV: D</p>	
<p>NOTICE TO PERSONS RECEIVING THIS DRAWING: ADALET CLAIMS PROPRIETARY RIGHTS IN THE MATERIALS, METHODS, AND EQUIPMENT DESCRIBED HEREIN. THIS DRAWING IS ISSUED IN CONFIDENCE FOR ENGINEERING INFORMATION ONLY AND MAY NOT BE REPRODUCED OR USED TO MANUFACTURE, EITHER IN WHOLE OR IN PART, WITHOUT WRITTEN PERMISSION FROM ADALET TO THE USER.</p>		<p>PROJECT: N4-201610 ENCLOSURE ASSEMBLY</p> <p>DWG NO: 201610</p> <p>SHEET: 10F1</p> <p>REV: A</p>		<p>DATE: 7/11/03</p> <p>SCALE: 1=3</p> <p>REV: D</p>	