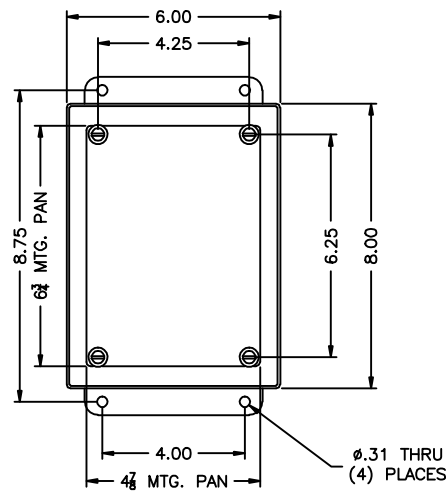
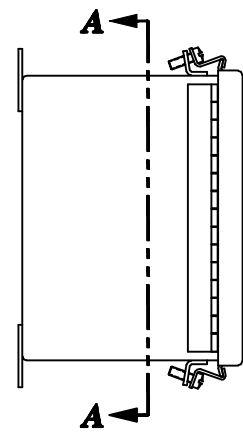
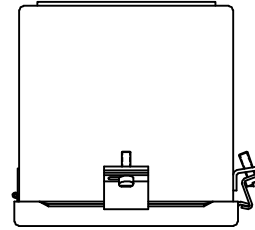


REV	REVISION	BY	BCN	DATE
A	INITIAL RELEASE	CLB		8/15/03
B	6-3/4 MTG PAN DIM WAS 6-7/8	CLB		2/23/04

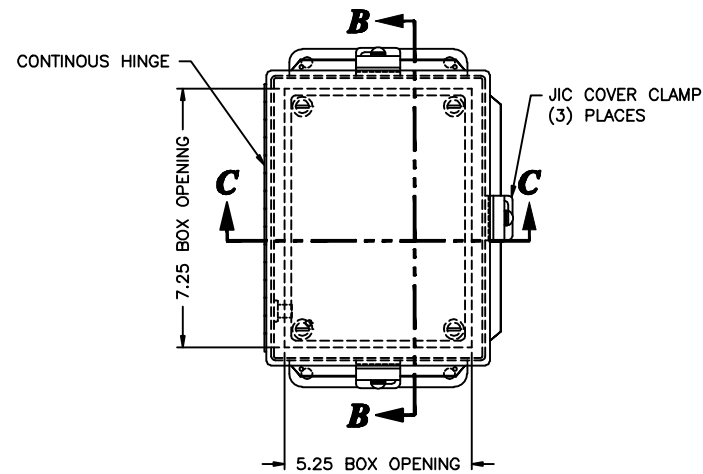
080606

UNCONTROLLED DRAWING

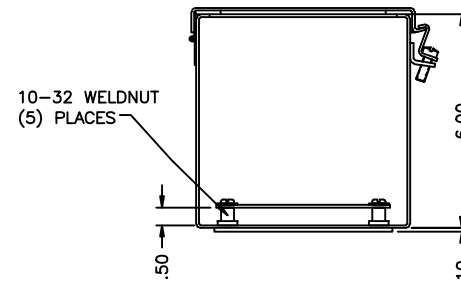
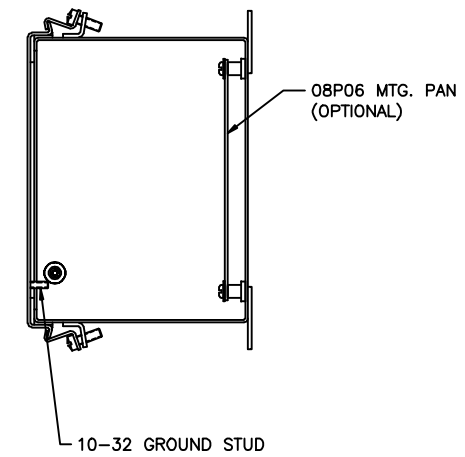
(DATA SUBJECT TO CHANGE WITHOUT NOTICE)
FOR ADDITIONAL HELP CONTACT ENGINEERING@ADALET.com



SECTION A-A



SECTION B-B



SECTION C-C

ENCLOSURE MATERIAL	CATALOG NUMBER	PART NUMBER
SS316L	JN4XHSS6-080606	M10342
SS304	JN4XHSS-080606	M10312

UNLESS OTHERWISE SPECIFIED DIMENSIONS ARE IN INCHES.		SHEET METAL TOLERANCES NOT OTHERWISE SPECIFIED:		DRAWN BY		DATE	
FINC ±1/16"	JIC ±.03"	JICX ±.010"	ANGLES ± 0°-30°	WARPAGE = 1/16" PER FOOT	ALL WELD SIZES ARE MIN.	CLB	8/15/03
<p>ADALET A SCOTT FETZER COMPANY Enclosure Systems • Cable Accessories Control Systems • 6841</p>				<p>NOTICE TO PERSONS RECEIVING THIS DRAWING: ADALET CLAIMS PROPRIETARY RIGHTS IN THE MATERIALS AND METHODS DESCRIBED HEREIN. THIS DRAWING IS ISSUED IN CONFIDENCE FOR ENGINEERING INFORMATION ONLY AND MAY NOT BE REPRODUCED OR USED TO MANUFACTURE, WITHOUT EXPRESS WRITTEN PERMISSION FROM ADALET TO THE USER.</p>		<p>APPROVAL</p>	
<p>NO SCALE DRAWING</p>				<p>1=2.5</p>		<p>D</p>	
<p>080606</p>				<p>10F1</p>		<p>B</p>	