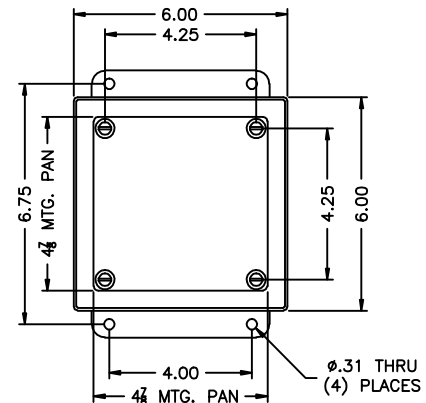
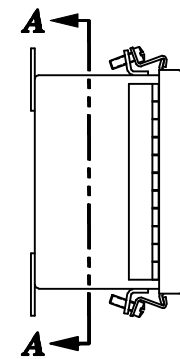
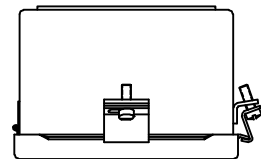


060604

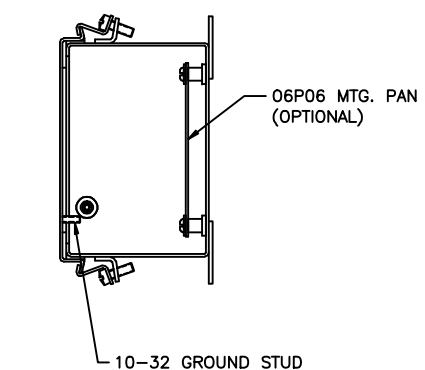
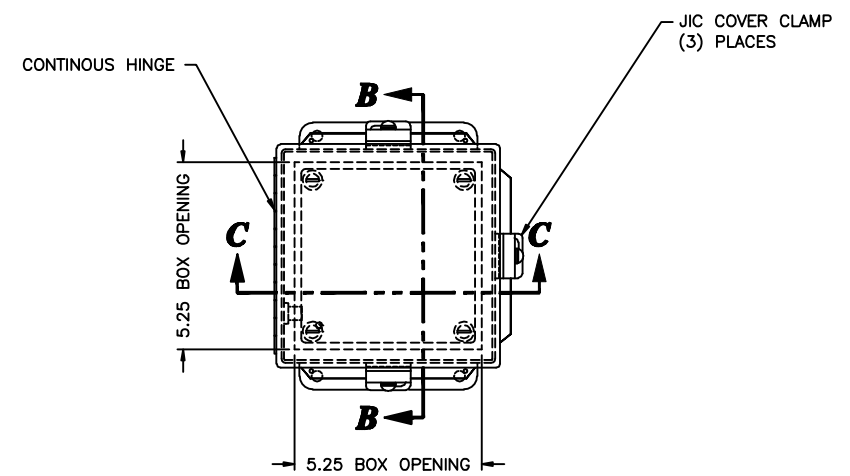
REV	REVISION	BY	BCN	DATE
A	INITIAL RELEASE	CLB		8/15/03

# UNCONTROLLED DRAWING

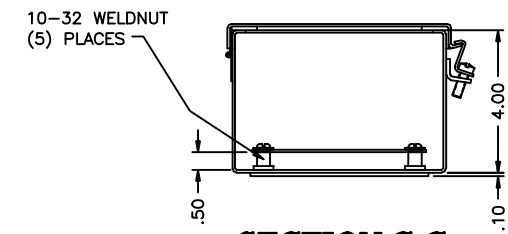
(DATA SUBJECT TO CHANGE WITHOUT NOTICE)  
FOR ADDITIONAL HELP CONTACT ENGINEERING@ADALET.com



**SECTION A-A**



**SECTION B-B**



**SECTION C-C**

ENCLOSURE MATERIAL	CATALOG NUMBER	PART NUMBER
SS316L	JN4XHSS6-060604	M10335
SS304	JN4XHSS-060604	M10305

<p><b>ADALET</b> A SCOTT FETZER COMPANY Engineering Systems • Cable Assemblies Cable Assemblies</p>		<p>JN4XHSS-060604 JIC ASSEMBLY</p>	
<p>UNLESS OTHERWISE SPECIFIED DIMENSIONS ARE IN INCHES. SHEET METAL TOLERANCES NOT OTHERWISE SPECIFIED: FINC ±1/16" JIC ±.03" JOC ±.010" ANGLES ± 0°-30" INSIDE BEND RADIUS = .040" NOM. WARPAGE = 1/16" PER FOOT ALL WELD SIZES ARE MIN.</p>	<p>NOTICE TO PERSONS RECEIVING THIS DRAWING: ADALET CLAIMS PROPRIETARY RIGHTS IN THE MATERIAL ENCLOSED HEREIN. THIS DRAWING IS ISSUED IN CONFIDENCE FOR ENGINEERING INFORMATION ONLY AND MAY NOT BE REPRODUCED OR USED TO MANUFACTURE, PARTS THEREFROM WITHOUT WRITTEN PERMISSION FROM ADALET TO THE USER.</p>	<p>DRAWN BY CLB DATE 8/15/03 APP. APPROVAL DATE DWG. NO. 060604 REV. 10F1</p>	<p>REV. A</p>