

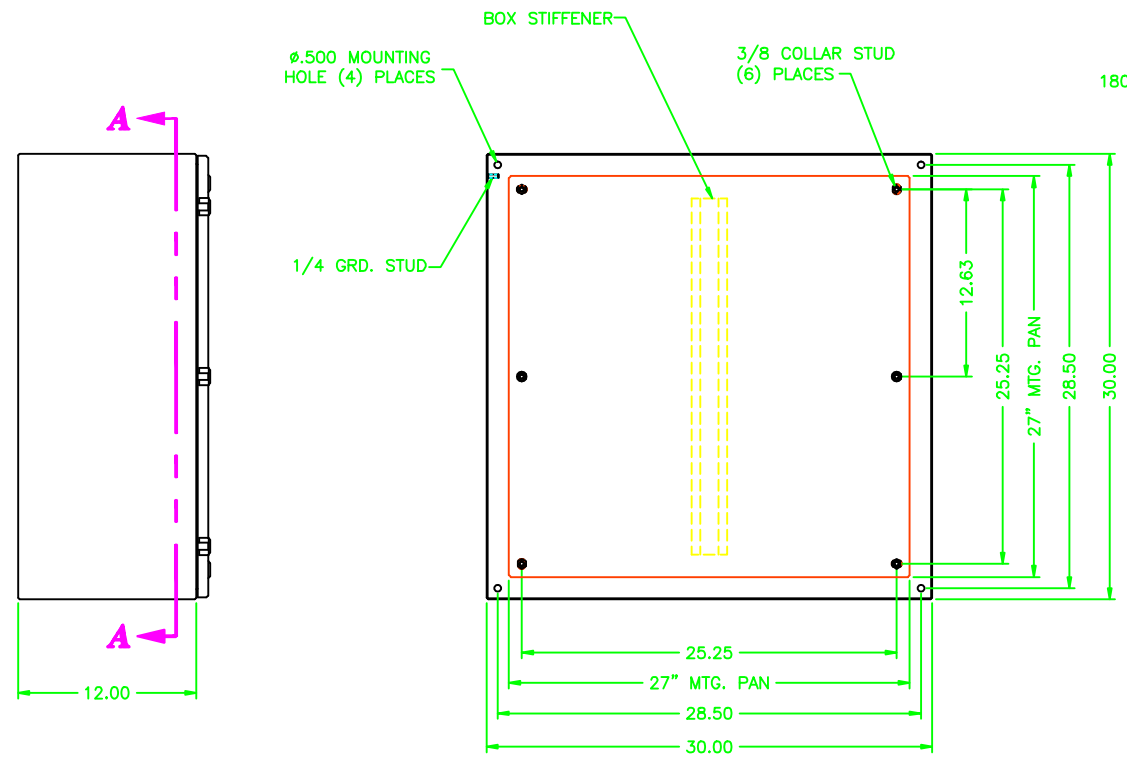
REV	REVISION	BY	BCN	DATE
A	INITIAL RELEASE	CLB		6/3/03

303012

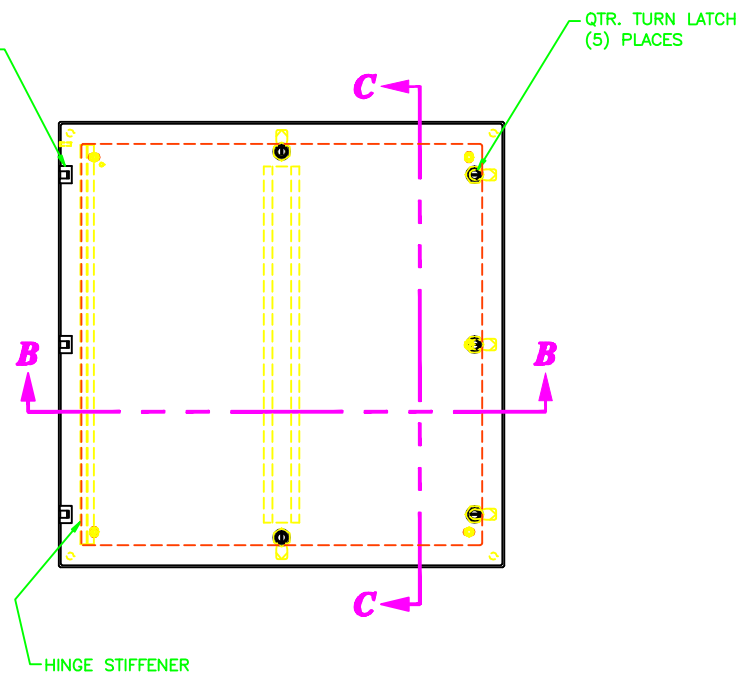
UNCONTROLLED DRAWING

(DATA SUBJECT TO CHANGE WITHOUT NOTICE)

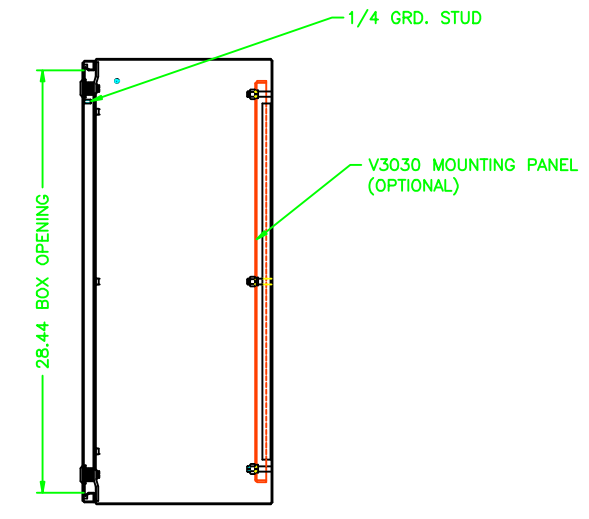
FOR ADDITIONAL HELP CONTACT ENGINEERING@ADALET.com



SECTION A-A



SECTION B-B



SECTION C-C

ENCLOSURE MATERIAL	CATALOG NUMBER	PART NUMBER
88316L	AV88-303012	M10083
88304	AV88-303012	M10028

<p>DO NOT SCALE DRAWING</p> <p>UNLESS OTHERWISE SPECIFIED DIMENSIONS ARE IN INCHES.</p> <p>SHEET METAL TOLERANCES NOT OTHERWISE SPECIFIED:</p> <p>FRAC ±1/16"</p> <p>XXX ±.02"</p> <p>XXX ±.010"</p> <p>ANGLES ± 0°-30"</p> <p>INSIDE BEND RADIUS = .040" NOM.</p> <p>WARPAGE = 1/16" PER FOOT</p> <p>ALL WELD SIZES ARE MIN.</p>		<p>ADALET</p> <p>A SCOTT FETZER COMPANY</p> <p>Enclosure Systems • Cable Accessories</p>		<p>303012 VICTORY ENCLOSURE ASSEMBLY</p>	
<p>NOTICE TO PERSONS RECEIVING THIS DRAWING: ADALET CLAIMS PROPRIETARY RIGHTS IN THE MATERIALS, METHODS, AND EQUIPMENT USED IN THE DESIGN AND CONSTRUCTION OF THIS DRAWING. THIS DRAWING IS LOANED TO YOU FOR ENGINEERING INFORMATION ONLY AND MAY NOT BE REPRODUCED OR USED TO MANUFACTURE, WITHOUT EXPRESS WRITTEN PERMISSION FROM ADALET TO THE USER.</p>		<p>DRAWN BY: CLB</p> <p>DATE: 6/3/03</p> <p>APP'D BY: [Signature]</p> <p>DATE: [Signature]</p>	<p>SCALE: 1=6</p> <p>DWG SIZE: D</p>	<p>DWG NO: 303012</p> <p>SHEET: 10F1</p> <p>REV: A</p>	