

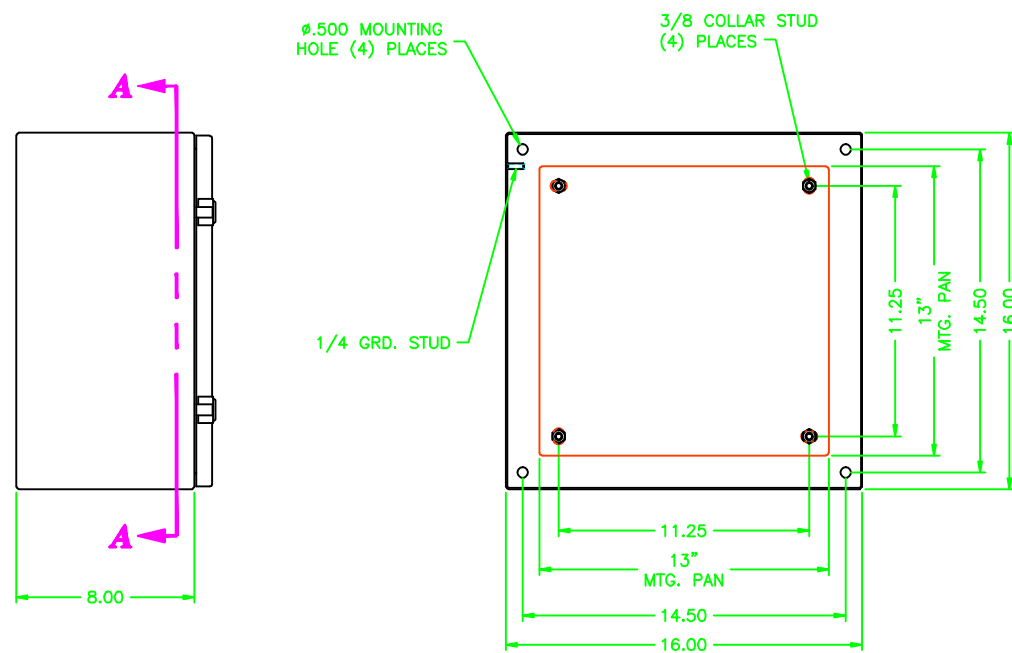
UNCONTROLLED DRAWING

(DATA SUBJECT TO CHANGE WITHOUT NOTICE)

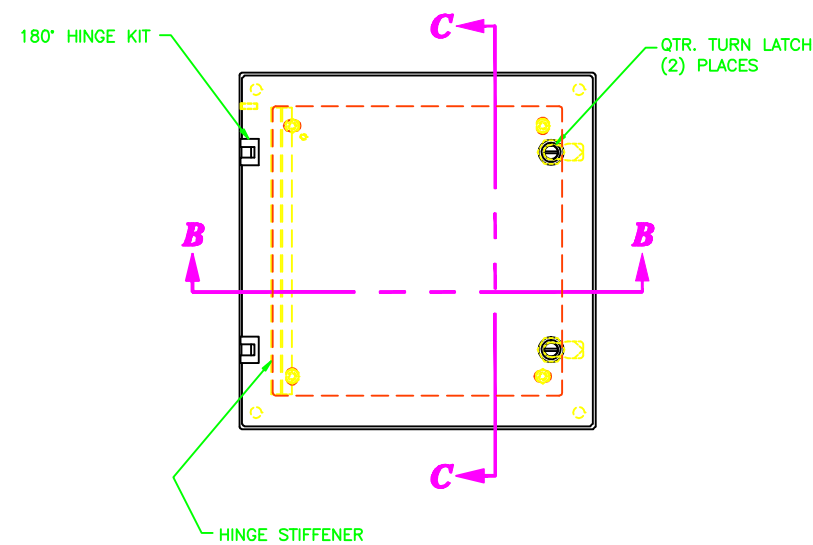
FOR ADDITIONAL HELP CONTACT ENGINEERING@ADALET.com

161608

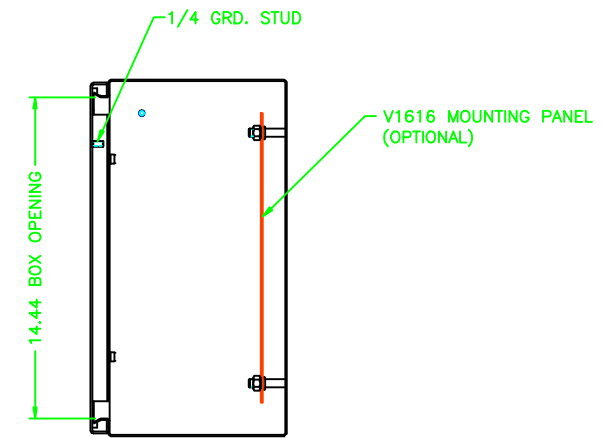
REV	REVISION	BY	BCN	DATE
A	INITIAL RELEASE	CLB		6/3/03



SECTION A-A



SECTION B-B



SECTION C-C

ENCLOSURE MATERIAL	CATALOG NUMBER	PART NUMBER
SS316L	AVSS-161608	M10064
SS304	AVSS-161608	M10010

DO NOT SCALE DRAWING		UNLESS OTHERWISE SPECIFIED DIMENSIONS ARE IN INCHES.		SHEET METAL TOLERANCES NOT OTHERWISE SPECIFIED:	
FRAC ±1/16"	DEC ±.015"	ANGLE ±0°-30"	INSIDE BEND RADIUS = .040" NOM.	WARPAGE = 1/16" PER FOOT	ALL WELD SIZES ARE MIN.
ADALET A SCOTT FETZER COMPANY Rotorcraft Systems • Cable Accessories			161608 VICTORY ENCLOSURE ASSEMBLY		
NOTICE TO PERSONS RECEIVING THIS DRAWING: ADALET CLAIMS PROPRIETARY RIGHTS IN THE MATERIALS, METHODS, AND EQUIPMENT USED IN THE DESIGN AND CONSTRUCTION OF THIS DRAWING. THIS DRAWING IS ISSUED IN CONFIDENCE FOR ENGINEERING INFORMATION ONLY AND MAY NOT BE REPRODUCED OR USED TO MANUFACTURE WITHOUT EXPRESS WRITTEN PERMISSION FROM ADALET TO THE USER.			DRAWN BY: CLB DATE: 6/3/03 CHECKED BY: [blank] DATE: [blank] APPROVED BY: [blank] DATE: [blank]		
PLAY SCALE: 1=4 DWG SIZE: D			DWG NO: 161608 SHEET: 10F1 REV: A		