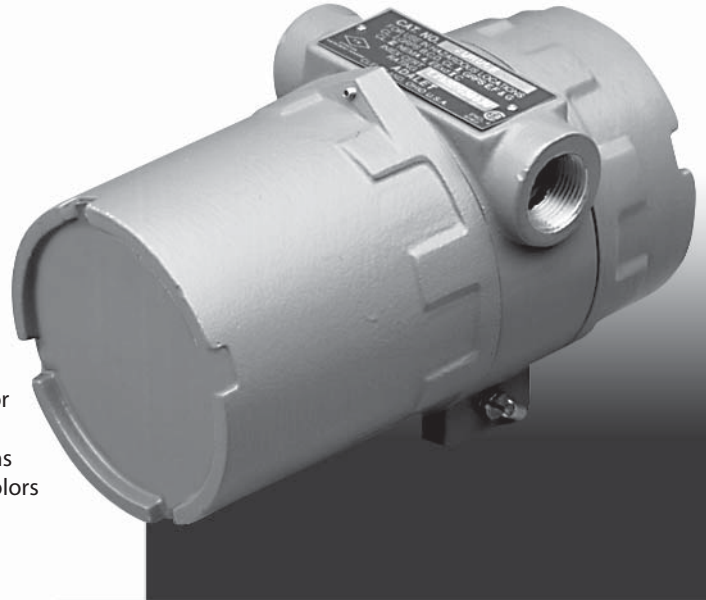


# XDH (Standard) SERIES

## 3-3/16" ID Enclosure Double Ended Housing

### STANDARD FEATURES

- 3/4" NPT conduit feed-through hubs, offset into power side for maximum clearance and capacity
- Front boss with 3/4" NPT opening into instrument side for conduit, sensor or probe (see design options for other sizes)
- Internal and external ground screws and tamper resistant cover set screw for extra safety
- Choice of solid covers or 2-5/8" diameter tempered glass window for local read out and display
- Buna-Nitrile rubber gasket for NEMA Type 4X watertight applications
- Corrosion resistant, "safety blue" polyester powder coating (other colors available)
- Stainless steel hardware



### DESIGN OPTIONS

- 1/4"-20 UNC holes in front boss for bracket mounting
- Front boss modifications: 1/2" NPT & various NPSM & metric entries available in place of standard 3/4" NPT (consult factory)
- 2 to 4-point, power side terminal strip with sealed pass-through to instrument (add suffix "2T" or "4T" to catalog number)
- Powder or epoxy coatings to match company color scheme
- Cast-on logos
- Custom drilling & tapping modifications
- Interior bulkhead penetration
- Power side (shallow side) cover options:

Flat Solid	—	Standard
Dome Glass	—	Add Suffix "A"
Flat Glass	—	Add Suffix "B"
Dome Solid	—	Add Suffix "C"

### XDH - DOMESTIC RATINGS:

DIVISION RATINGS:

CLASSIFIED

CLASS I, DIV 1 GROUP BCD

CLASS II, DIV 1 GROUPS EFG

CLASS III

TYPE 4X

UL1203; CSA C22.2 No. 30 & CSA C22.2 No. 25




### XDHX - GLOBAL RATINGS (OPTIONAL):

ZONE RATINGS:

ATEX (FLAMEPROOF – DEMKO)

II 2G  IIB+H<sub>2</sub>

II 2D  Ex tD A20

IP66

IECEX (FLAMEPROOF – UL)

Ex d IIB+H<sub>2</sub>

IP66

EN60079-0, EN60079-1

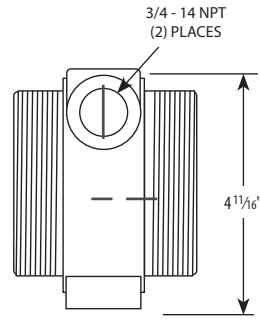
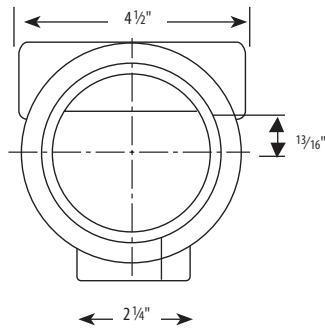
EN61241-0, EN61241-1

EN60529

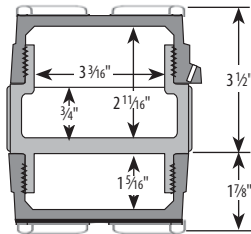
IEC60079-0 & IEC60079-1

IEC60529

# XDH (Standard) SERIES

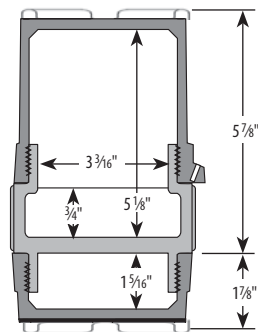


## Solid Cover Arrangements



### SOLID COVER

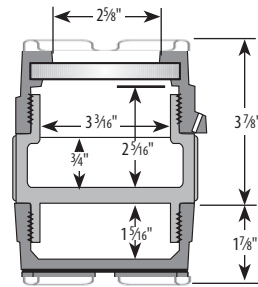
Catalog Number	Description
XDHFCX	Flat Cover, 3/4" NPT Hubs



### SOLID COVER

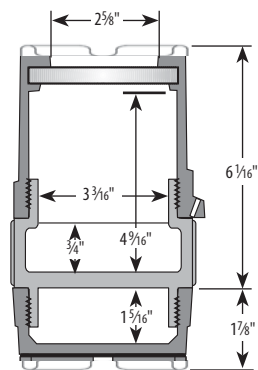
Catalog Number	Description
XDHDCX	Dome Cover, 3/4" NPT Hubs

## Glass Cover Arrangements



### GLASS COVER

Catalog Number	Description
XDHFGCX	Flat Glass Cover, 3/4" NPT Hubs



### GLASS COVER

Catalog Number	Description
XDHDGCX	Dome Glass Cover, 3/4" NPT Hubs

EXPLOSIONPROOF  
Instrument Housings