

XDHM (Medium) SERIES

3-5/8" ID Enclosure

Double Ended Housing

STANDARD FEATURES

- 3/4" NPT conduit feed-through hubs, offset into power side for maximum clearance and capacity
- Front boss with 3/4" NPT opening into instrument side for conduit, sensor or probe (see design options for other sizes)
- 60° chamfer on window opening provides enhanced viewing angle
- Internal and external ground screws and tamper resistant cover set screw for extra safety
- Choice of solid covers or 2 5/8" diameter tempered glass window for local read out and display
- Buna-Nitrile rubber gasket for NEMA Type 4X watertight applications
- Corrosion resistant, "safety blue" polyester powder coating (other colors available)
- Stainless steel hardware

DESIGN OPTIONS

- 1/4"-20 UNC holes in front boss for bracket mounting
- Front boss modifications: 1/2", 3/4" or 1" NPT & various NPSM & metric entries available in place of standard 3/4" NPT (consult factory)
- 1/2" NPT reducers available (add suffix "2" to catalog number)
- Throat diameter can be increased to 3-5/8" (consult factory)
- Powder or epoxy coatings to match company color scheme
- Cast-on logos
- Custom drilling & tapping modifications
- Interior bulkhead penetrations
- Power side (shallow side) cover options:

Flat Solid	—	Standard
Dome Glass	—	Add Suffix "A"
Flat Glass	—	Add Suffix "B"
Dome Solid	—	Add Suffix "C"

- 2 to 8-point power side terminal strip with sealed pass through to instrument (add suffix 2T, 4T, 6T, 8T to catalog number)



XDHM - DOMESTIC RATINGS:

DIVISION RATINGS:

CLASSIFIED

CLASS I, DIV 1 GROUP BCD
CLASS II, DIV 1 GROUPS EFG
CLASS III
TYPE 4X

UL1203; CSA C22.2 No. 30 & CSA C22.2 No. 25



XDHMX - GLOBAL RATINGS (OPTIONAL):

ZONE RATINGS:

ATEX (FLAMEPROOF – DEMKO)

II 2G  Ex d IIB+H₂

II 2D  Ex tD A20

IP66

IECEX (FLAMEPROOF – UL)

Ex d IIB + H₂

IP66

EN60079-0, EN60079-1

EN61241-0, EN61241-1

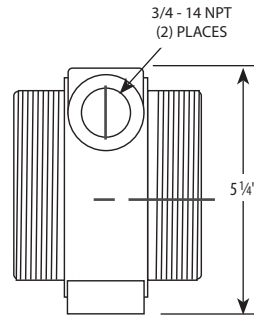
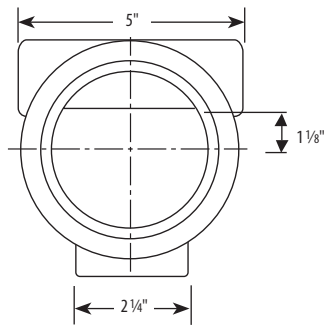
EN60529

IEC60079-0 & IEC60079-1

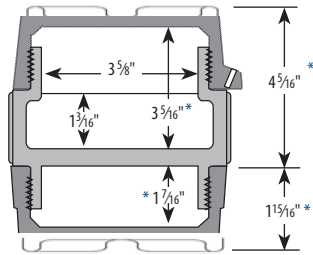
IEC60529

NOTE: AN EXTENDED TEMPERATURE RANGE APPLIES TO ATEX AND IECEX RATINGS ONLY (-50° C TO +85° C AMBIENT)
The ADALET Engineering Department is Available to Assist you in the Selection of Enclosures and Accessories.

XDHM (Medium) SERIES



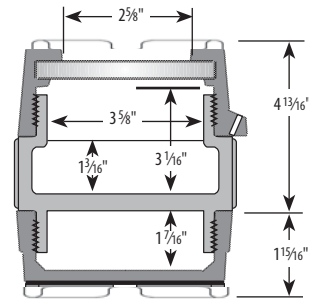
Solid Cover Arrangements



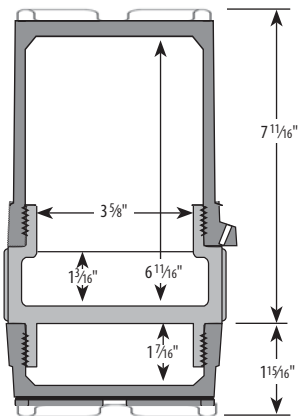
* Midsize solid cover available – add 11/16" to above dimensions.

SOLID COVER	
Catalog Number	Description
XDHMFCX	Flat Cover, 3/4" NPT Hubs
XDHMMCX	Mid Size Cover, 3/4" NPT Hubs

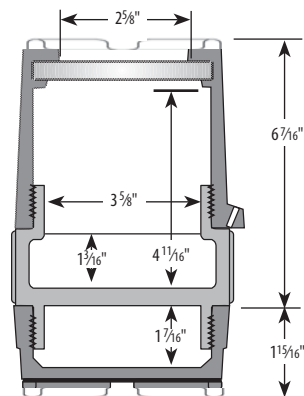
Glass Cover Arrangements



GLASS COVER	
Catalog Number	Description
XDHMFGCX	Flat Glass Cover, 3/4" NPT Hubs



SOLID COVER	
Catalog Number	Description
XDHMDCX	Dome Cover, 3/4" NPT Hubs



GLASS COVER	
Catalog Number	Description
XDHMDCGX	Dome Glass Cover, 3/4" NPT Hubs

EXPLOSIONPROOF Instrument Housings