

# XDHL (Large) SERIES

## 4" ID Enclosure

### Double Ended Housing

#### STANDARD FEATURES

- 3/4" NPT conduit feed-through hubs, offset into power side for maximum clearance and capacity
- Front boss with 3/4" NPT opening into instrument side for conduit, sensor or probe (see design options for other sizes)
- Internal and external ground screws and tamper resistant cover set screw for extra safety
- Choice of solid covers or 3-5/16" diameter tempered glass window for local read out and display
- Buna-Nitrile rubber gasket for NEMA Type 4X watertight applications
- Corrosion resistant, "safety blue" polyester powder coating (other colors available)
- Stainless steel hardware



#### DESIGN OPTIONS

- 1/4"-20 UNC holes in front boss for bracket mounting
- Front boss modifications: 1/2", 3/4" or 1" NPT & various NPSM & metric entries available in place of standard 3/4" NPT (consult factory)
- 2 to 12- point, power side terminal strip with sealed pass-through to instrument (add suffix 2T, 4T, 6T, 8T, 10T, 12T to catalog number)
- Powder or epoxy coatings to match company color scheme
- Cast-on logos
- Custom drilling & tapping modifications
- Interior bulkhead penetrations
- Power side (shallow side) cover options:

Flat Solid	—	Standard
Dome Glass	—	Add Suffix "A"
Flat Glass	—	Add Suffix "B"
Dome Solid	—	Add Suffix "C"

#### XDHL - DOMESTIC RATINGS:

##### DIVISION RATINGS:

CLASSIFIED

CLASS I, DIV 1 GROUP BCD

CLASS II, DIV 1 GROUPS EFG

CLASS III

TYPE 4X

UL1203; CSA C22.2 No. 30 & CSA C22.2 No. 25



#### XDHLX - GLOBAL RATINGS (OPTIONAL):

##### ZONE RATINGS:

ATEX (FLAMEPROOF – DEMKO)

II 2G Ex d IIB+H<sub>2</sub>

II 2 D Ex tD A20

IP66

IECEX (FLAMEPROOF – UL)

Ex d IIB + H<sub>2</sub>

IP66

EN60079-0, EN60079-1

EN61241-0, EN61241-1

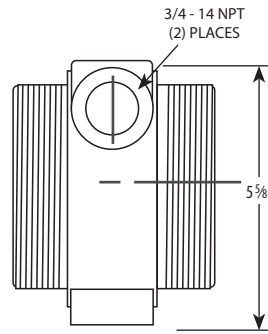
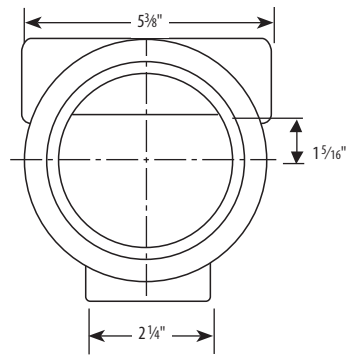
EN60529

IEC60079-0 & IEC60079-1

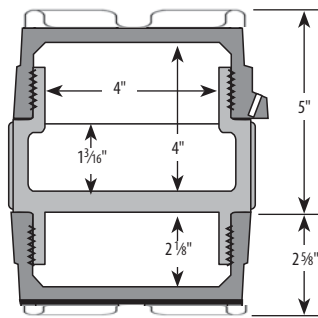
IEC60529

NOTE: AN EXTENDED TEMPERATURE RANGE APPLIES TO ATEX AND IECEX RATINGS ONLY (-50° C TO +85° C AMBIENT)

# XDHL (Large) SERIES

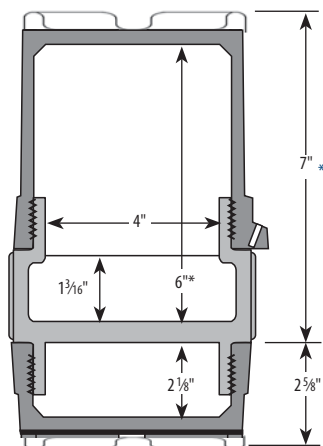


## Solid Cover Arrangements



### SOLID COVER

Catalog Number	Description
XDHLFCX	Flat Cover, 3/4" NPT Hubs

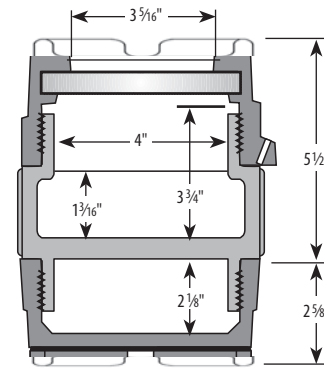


### SOLID COVER

Catalog Number	Description
XDHLDCX	Dome Cover, 3/4" NPT Hubs
XDHLECX*	Extended dome cover, 3/4" NPT Hubs

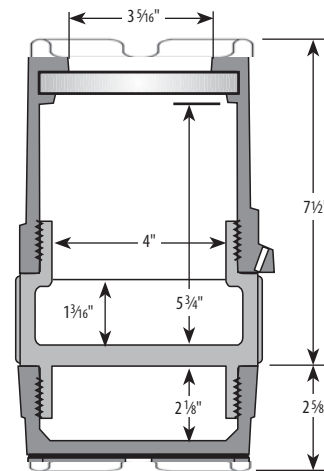
\* Extended Cover (EC) adds 15/16"

## Glass Cover Arrangements



### GLASS COVER

Catalog Number	Description
XDHLFGCX	Flat Glass Cover, 3/4" NPT Hubs



### GLASS COVER

Catalog Number	Description
XDHLDCGX	Dome Glass Cover, 3/4" NPT Hubs

EXPLOSIONPROOF Instrument Housings