

Quick Release Latch Enclosures

FLAT COVER - The quick release latch series is designed to house terminal wiring boxes, instrumentation housing, and electrical control enclosures. Suitable for either outdoor or indoor applications, the quick release latch cover for fiberglass enclosures protects against elements such as oil, water, dirt, and dust.

STANDARD FEATURES

- Twelve standard sizes available
- Padlockable quick release latch for quick entry
- Full length stainless steel hinged cover
- Integral mounting flange
- Cover opens full 180°+
- Mounting bosses with threaded brass inserts for mounting panel installation
- Poured polyurethane gasket provides water-tight, dust-tight seal
- Lightweight and impact resistant

DESIGN OPTIONS

- Mounting panels
- Drilled entries and cut-outs available
- Molded in custom colors
- Silk screening, paint, and decals

MATERIAL

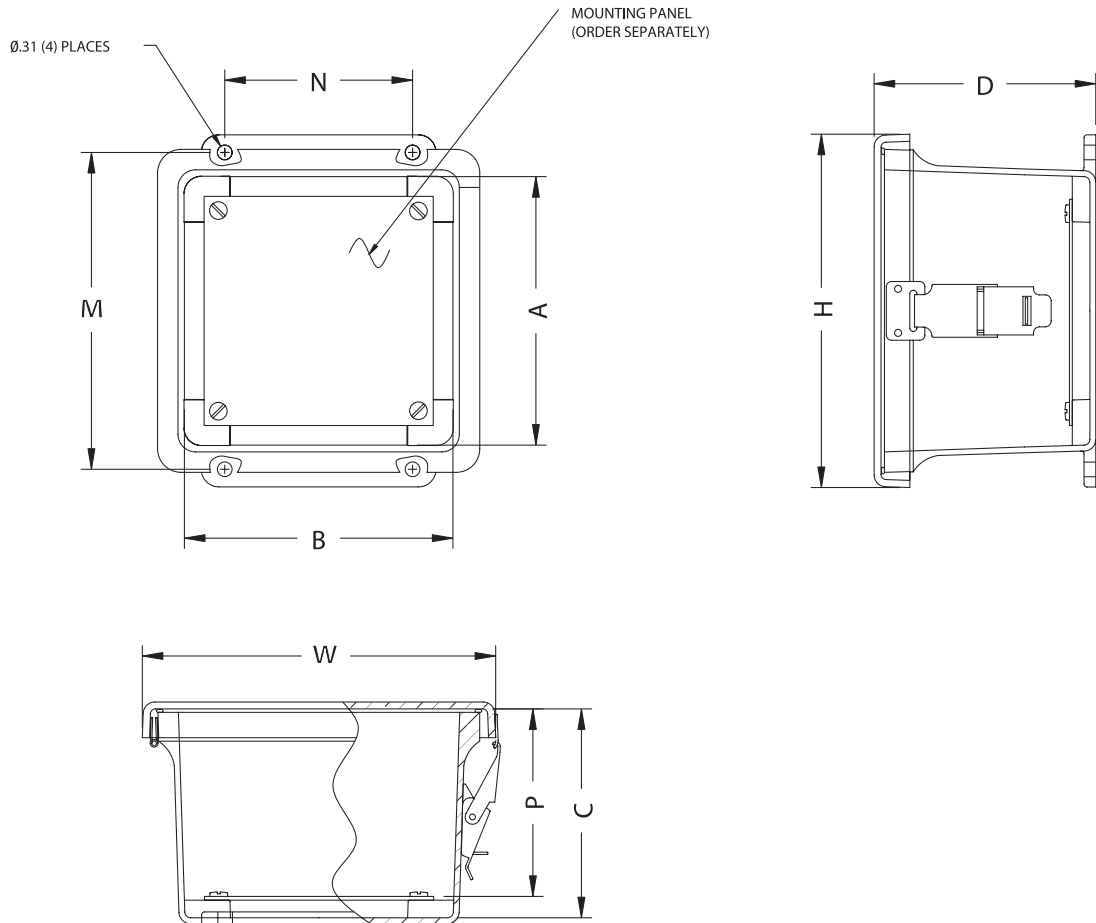
- Hot compression molded fiberglass reinforced polyester (thermoset)
- Non-corrosive and UV resistant
- Smooth surface, no color variations, swirls, or color pockets
- Non-flame propagating and chemical resistant
- Color is light gray



CERTIFICATIONS

UL / cUL 50
 CSA Std 22.2
 NEMA Type 1, 3, 4X, 6P, 12
 Temperature Range - 40°C to +120°C (-40°F to +250°F)
 Flammability Rating UL94-5V





NON-METALLIC ENCLOSURES

Quick Release Enclosure - Hinged Cover / Quick Release Latches / Mounting Flange

CAT. NUMBER	OUTSIDE DIM.			INSIDE DIM.			MOUNTING DIM			SHIPPING WT. (LBS)	PANEL PART NO.	PANEL DIM.
	H	W	D	A	B	C	M	N	P			
N4X-FG-060404CHQR	7.50	5.43	4.75	5.84	3.85	4.45	6.75	2.00	4.00	2.50	BP64A	4.88 x 2.88
N4X-FG-060604CHQR	7.50	7.50	4.75	5.72	5.72	4.45	6.75	4.00	4.00	2.75	BP66A	4.88 x 4.88
N4X-FG-080604CHQR	9.62	7.50	4.75	7.73	5.74	4.45	8.88	4.00	4.00	3.50	BP86A	6.88 x 4.88
N4X-FG-080804CHQR	9.56	9.38	4.89	7.73	7.73	4.64	8.75	6.00	4.06	4.00	BP88A	6.88 x 6.88
N4X-FG-100804CHQR	11.62	9.41	4.25	9.73	7.73	3.98	10.75	6.00	3.50	5.00	BP108A	8.88 x 6.88
N4X-FG-121005CHQR	13.56	11.43	5.21	11.79	9.80	4.94	12.75	8.00	4.50	6.50	BP1210A	10.88 x 8.88
N4X-FG-121206CHQR	13.56	13.38	6.36	11.70	11.70	6.11	12.75	10.00	5.53	3.20	BP1212A	10.88 x 10.88
N4X-FG-140706CHQR	15.87	8.75	6.81	14.00	7.00	6.56	15.00	5.00	6.12	6.25	BP147A	12.88 x 5.88
N4X-FG-141206CHQR	15.50	13.50	6.25	16.53	11.55	5.94	14.62	10.00	5.37	8.50	BP1412A	12.88 x 10.88
N4X-FG-161406CHQR	17.53	15.46	6.23	15.63	13.60	5.94	16.75	12.00	5.36	11.50	BP1614A	14.88 x 12.88
N4X-FG-181608CHQR	19.62	17.61	8.82	17.69	15.69	8.45	18.88	12.00	7.99	19.25	BP1816A	16.88 x 14.88
N4X-FG-201608CHQR	22.00	17.68	8.83	19.72	15.72	8.45	21.25	10.00	8.00	20.25	BP2016A	18.88 x 14.88

Information is subject to change without notice

Measurements in inches