

Small Screw Cover Enclosure

The screw cover junction fiberglass enclosure can be used indoors or outdoors to house small electronics. These enclosures are designed to protect against dust, dirt, oil and water.

STANDARD FEATURES

- Two standard sizes available
- Lift off cover design
- Recessed captive stainless steel screws
- Molded in panel mounting inserts
- Poured polyurethane gasket provides water-tight, dust-tight seal
- Lightweight and impact resistant

DESIGN OPTIONS

- External mounting feet available
- Drilled entries and cut-outs available
- Molded in custom colors
- Silk screening, paint, and decals

MATERIAL

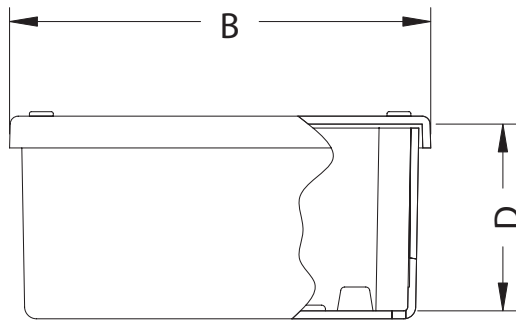
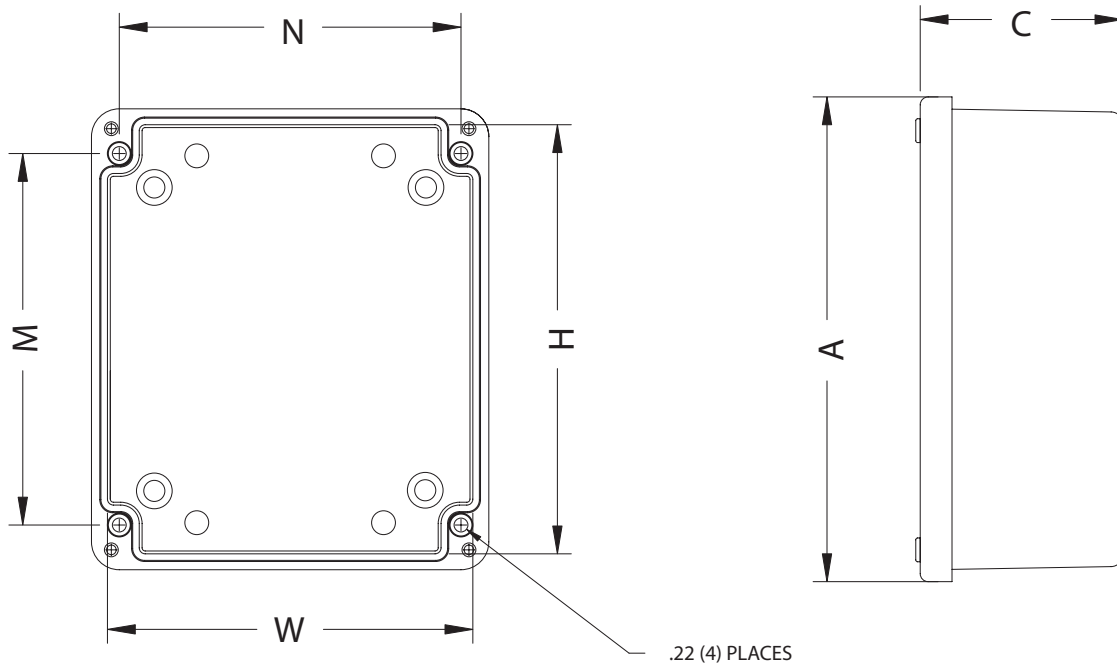
- Hot compression molded fiberglass reinforced polyester (thermoset)
- Non-corrosive and UV resistant
- Smooth surface, no color variations, swirls, or color pockets
- Non-flame propagating and chemical resistant
- Color is light gray



CERTIFICATIONS

UL / cUL 50
 CSA Std 22.2
 NEMA Type 1, 3, 4X, 6P, 12
 Temperature Range - 40 °C to +120 °C (-40 °F to +250 °F)
 Flammability Rating UL94-5V





NON-METALLIC
ENCLOSURES

Small Screw Cover Enclosure - Screw Cover / No Mounting Panel											
CAT. NUMBER	OUTSIDE DIM.			INSIDE DIM.			MOUNTING		SHIPPING WT. (LBS)	PANEL PART NO.	
	A	B	C	H	W	D	G	H			
N4X-FG-070603	7.63	6.63	3.19	6.90	5.90	2.88	5.37	2.00	3	No Panel	
N4X-FG-090603	9.87	6.63	3.19	9.15	5.90	2.88	7.62	2.00	3	No Panel	

Information is subject to change without notice

Measurements in inches