

Quick Release Latch Raised Cover Enclosure

RAISED COVER - The raised cover quick release latch enclosure is designed to house terminal wiring boxes, instrumentation housing, and electrical control enclosures. Suitable for either outdoor or indoor applications, the quick release latch enclosures protects against elements such as oil, water, dirt, and dust. The raised cover is designed for used when components require additional depth.

STANDARD FEATURES

- Eleven standard sizes available
- Padlockable quick release latch for quick entry
- Raised cover for additional usable depth
- Full length stainless steel hinged cover
- Integral mounting flange
- Cover opens full 180°+
- Mounting bosses with threaded brass inserts for mounting panel installation
- Poured polyurethane gasket provides water-tight, dust-tight seal
- Lightweight and impact resistant

DESIGN OPTIONS

- Mounting panels
- Drilled entries and cut-outs available
- Molded in custom colors
- Silk screening, paint, and decals

MATERIAL

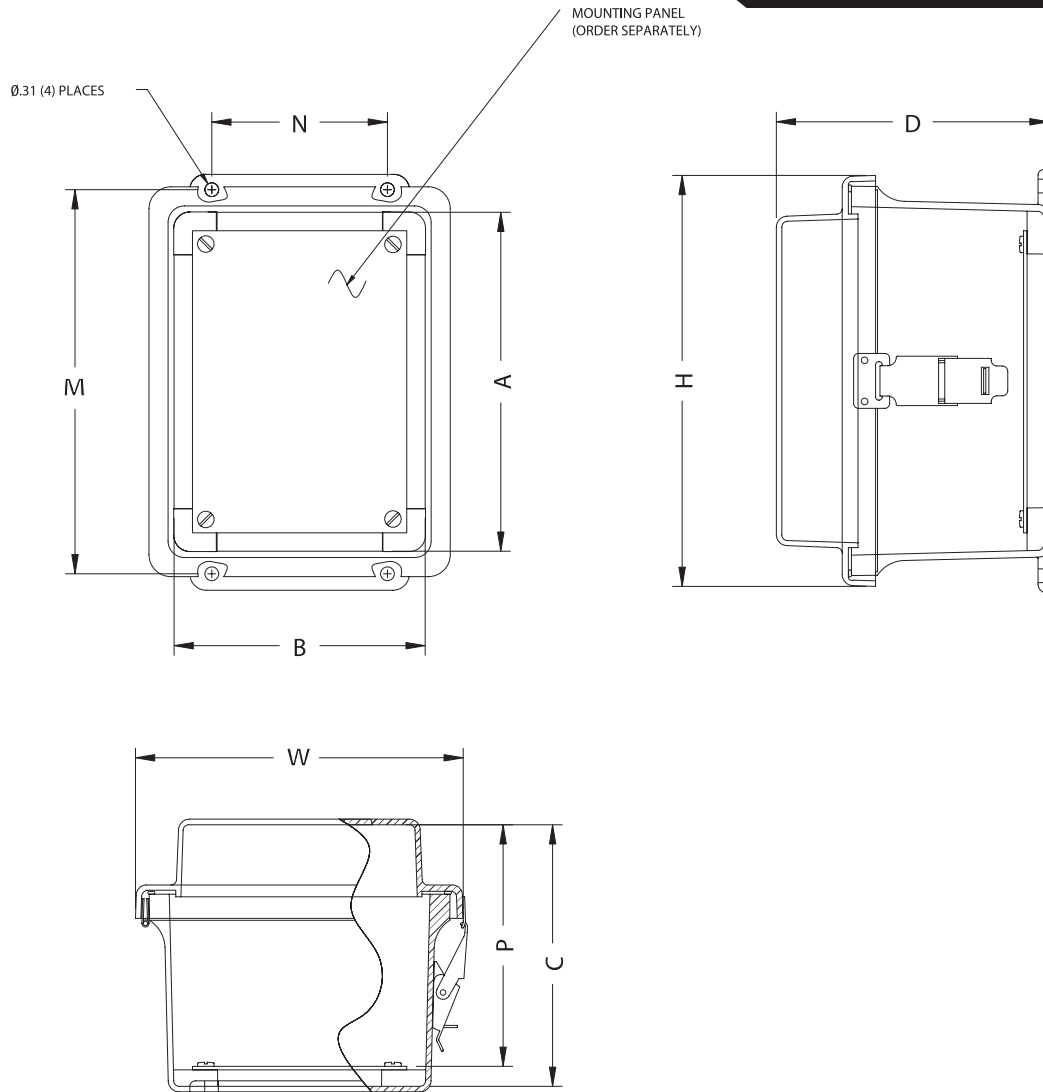
- Hot compression molded fiberglass reinforced polyester (thermoset)
- Non-corrosive and UV resistant
- Smooth surface, no color variations, swirls, or color pockets
- Non-flame propagating and chemical resistant
- Color is light gray



CERTIFICATIONS

UL / cUL 50
 CSA Std 22.2
 NEMA Type 1, 3, 4X, 6P, 12
 Temperature Range - 40 °C to +120 °C (-40 °F to +250 °F)
 Flammability Rating UL94-5V





NON-METALLIC ENCLOSURES

Quick Release Raised Cover - Hinged Cover / Quick Release Latches / Mounting Flange

CAT. NUMBER	OUTSIDE DIM.			INSIDE DIM.			MOUNTING DIM			SHIPPING WT. (LBS)	PANEL PART NO.	PANEL DIM.
	H	W	D	A	B	C	M	N	P			
N4X-FG-060404RCHQR	7.50	5.43	4.75	5.84	3.85	4.45	6.75	2.00	4.00	2.50	BP64A	4.88 x 2.88
N4X-FG-060604RCHQR	7.50	7.50	4.75	5.72	5.72	4.45	6.75	4.00	4.00	2.75	BP66A	4.88 x 4.88
N4X-FG-080604RCHQR	9.62	7.50	4.75	7.73	5.74	4.45	8.88	4.00	4.00	3.50	BP86A	6.88 x 4.88
N4X-FG-080804RCHQR	9.56	9.38	4.89	7.73	7.73	4.64	8.75	6.00	4.06	4.00	BP88A	6.88 x 6.88
N4X-FG-100804RCHQR	11.62	9.41	4.25	9.73	7.73	3.98	10.75	6.00	3.50	5.00	BP108A	8.88 x 6.88
N4X-FG-121005RCHQR	13.56	11.43	5.21	11.79	9.80	4.94	12.75	8.00	4.50	6.50	BP1210A	10.88 x 8.88
N4X-FG-121206RCHQR	13.56	13.38	6.36	11.70	11.70	6.11	12.75	10.00	5.53	3.20	BP1212A	10.88 x 10.88
N4X-FG-140706RCHQR	15.87	8.75	6.81	14.00	7.00	6.56	15.00	5.00	6.12	6.25	BP147A	12.88 x 5.88
N4X-FG-141206RCHQR	15.50	13.50	6.25	16.53	11.55	5.94	14.62	10.00	5.37	8.50	BP1412A	12.88 x 10.88
N4X-FG-161406RCHQR	17.53	15.46	6.23	15.63	13.60	5.94	16.75	12.00	5.36	11.50	BP1614A	14.88 x 12.88
N4X-FG-181610RCHQR	19.62	17.61	8.82	17.69	15.69	8.45	18.88	12.00	7.99	19.25	BP1816A	16.88 x 14.88
N4X-FG-201610RCHQR	22.00	17.68	8.83	19.72	15.72	8.45	21.25	10.00	8.00	20.25	BP2016A	18.88 x 14.88

Information is subject to change without notice

Measurements in inches