

Flush Cover Enclosure

The flush cover fiberglass enclosure can be used indoors or outdoors to house items such as standard size pushbuttons, pilot lights and switches. These enclosures are designed to protect against dust, dirt, oil and water.

STANDARD FEATURES

- Nine standard sizes available
- Lift off cover design
- Recessed captive stainless steel screws
- Small raised beveled cover
- Cover flush with enclosure sides
- Poured polyurethane gasket provides water-tight, dust-tight seal
- Lightweight and impact resistant

DESIGN OPTIONS

- Terminal blocks or other component assembly
- Drilled entries or cut-outs
- Molded in custom colors

MATERIAL

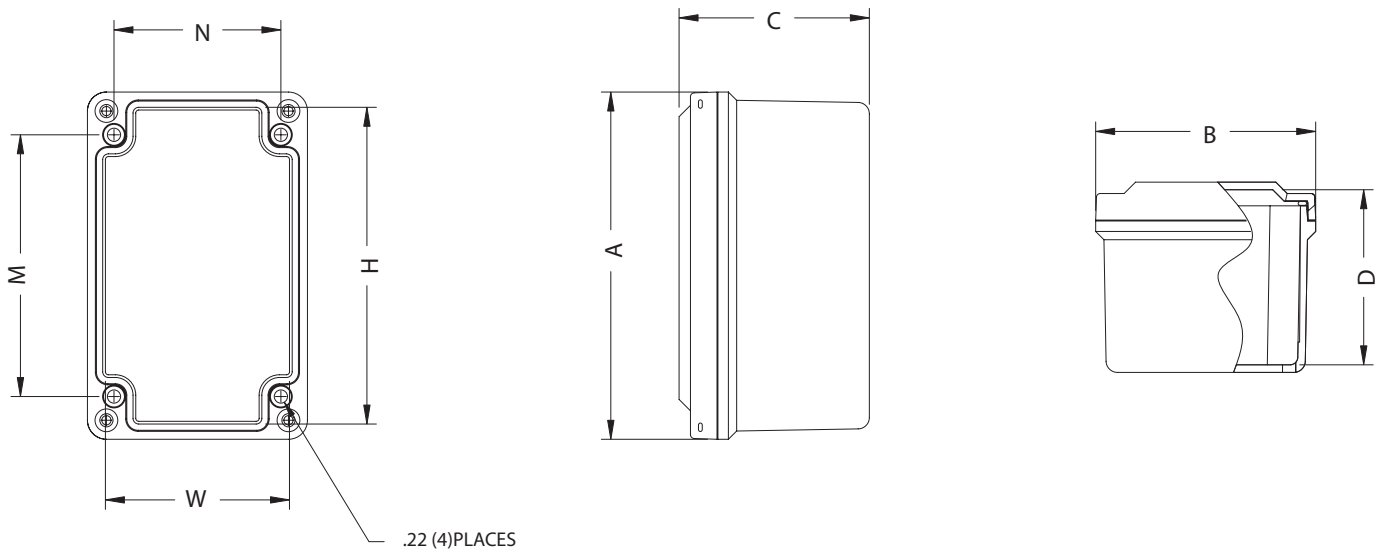
- Hot compression molded fiberglass reinforced polyester (thermoset)
- Non-corrosive and UV resistant
- Smooth surface, no color variations, swirls, or color pockets
- Non-flame propagating and chemical resistant
- Color is light gray



CERTIFICATIONS

UL / cUL 50
 CSA Std 22.2
 NEMA Type 1, 3, 4X, 6P, 12
 Temperature Range - 40°C to +120°C (-40°F to +250°F)
 Flammability Rating UL94-5V





NON-METALLIC ENCLOSURES

Flush Cover Enclosure - Screw Cover / No Mounting Panel

CAT. NUMBER	OUTSIDE DIM.			INSIDE DIM.			MOUNTING		SHIPPING WT. (LBS)	PANEL PART NO.
	A	B	C	H	W	D	M	N		
N4X-FG-030302	3.72	3.63	2.95	3.13	3.03	3.71	2.31	2.75	1	No Panel
N4X-FG-050302	5.97	3.63	3.14	5.38	3.03	2.87	4.56	2.75	1	No Panel
N4X-FG-060404	6.63	3.81	3.89	6	3.19	3.63	4.88	2.94	2	No Panel
N4X-FG-080302	8.41	3.63	3.14	7.82	3.03	2.87	7.00	2.75	2	No Panel
N4X-FG-080404	8.88	3.81	3.89	8.26	3.19	3.63	7.13	2.94	2	No Panel
N4X-FG-090302	9.35	3.63	3.14	8.75	3.03	2.87	7.94	2.75	2	No Panel
N4X-FG-110404	11.13	3.81	3.89	10.51	3.19	3.63	9.37	2.94	2	No Panel
N4X-FG-140302	13.78	3.63	3.14	13.19	3.03	2.87	12.37	2.75	2	No Panel
N4X-FG170302	17.35	3.63	3.14	16.75	3.03	2.87	15.94	2.75	3	No Panel

Information is subject to change without notice

Measurements in inches