

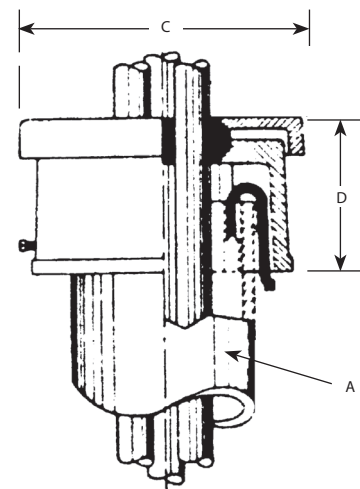
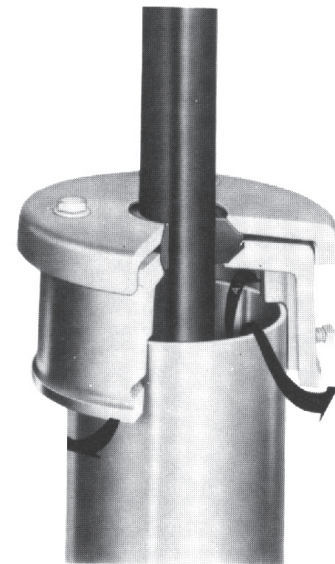
Conduit Ventilating Cable Supports

STANDARD FEATURES

- Helps reduce temperatures in conduit, improving service life and load carrying capacity of the cable
- Neoprene gasket provides watertight seal and cable support
- Set screws secure the ventilator to conduit
- For supporting and sealing cable risers and allowing escape of heated air from conduit
- Type CV Supports are designed for use at top of conduit where cable extends into air

CAT. NUMBER	CONDUIT SIZE A	MAX CABLE O.D.		C	D	SHIP WEIGHT (lbs.)
		ONE HOLE	B THREE HOLE*			
CV20	2	1.60	.74	4 1/16	2 5/8	2 1/2
CV25	2 1/2	1.91	.93	5 5/32	2 5/8	2 1/2
CV30	3	2.37	1.19	5 13/16	2 3/4	3
CV35	3 1/2	2.75	1.41	6 3/16	2 3/4	3 1/2
CV40	4	3.12	1.63	6 13/16	2 7/8	4
CV50	5	3.82	2.13	8 1/8	3 3/8	5
CV60	6	4.42	2.55	9 5/8	3 3/4	6

* Additional holes can be supplied-consult factory



ILLUSTRATING MULTI-CONDUCTOR ENTRANCE

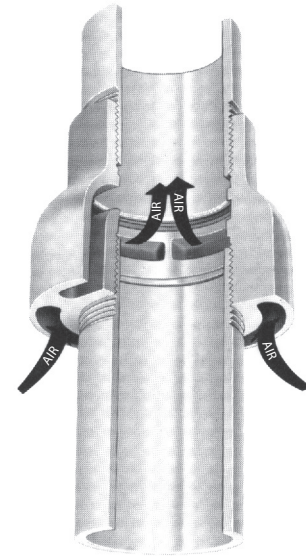
TO ORDER:

1. Select catalog number of fitting
2. Indicate number and diameter of cables
3. Where used with interlocked armored cable, specify whether gasket to fit over jacket or over armor

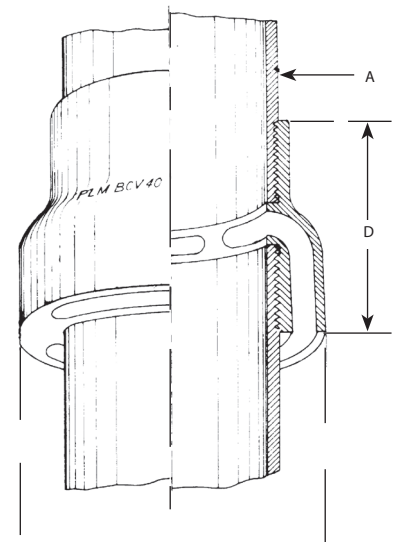
Bottom Conduit Ventilators

STANDARD FEATURES

- Used in conduit system to allow air to enter conduit riser
- Castings are aluminum, anodized and Teflon sealed for maximum corrosion resistance
- Helps reduce temperature in conduit riser, improving service life and load carrying capacity of the cable



CAT. NUMBER	CONDUIT SIZE			SHIP WEIGHT (lbs.)
	A	C	D	
BCV 20	2	3 5/8	2 7/8	2
BCV 25	2 1/2	5 1/8	4	3
BCV 30	3	5 5/16	4 1/4	3 1/2
BCV 35	3 1/2	6 1/8	4 1/2	4
BCV 40	4	6 1/2	4 1/2	4
BCV 50	5	8 1/4	4 7/8	6
BCV 60	6	9 1/16	5 1/4	8

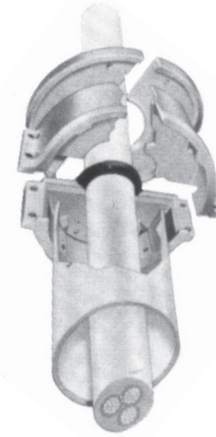


VENTILATORS

Split Conduit Ventilating Cable Supports

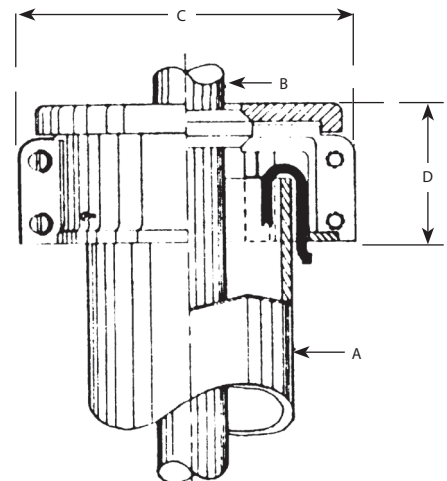
STANDARD FEATURES

- Used where existing XLP or EPR cables are installed in conduit
- Split to permit installation after cable has been pulled or where cable extends some distance from ventilator mounting
- Neoprene gasket provides watertight seal. Gasket slit to allow installation.



CAT. NUMBER	CONDUIT SIZE A	MAX CABLE O.D. B		C	D	SHIP WEIGHT (lbs.)
		ONE HOLE	THREE HOLE*			
CVS 20	2	1.50	.54	4 5/8	2 3/8	2
CVS 25	2 1/2	1.80	.75	5 1/4	2 3/8	2
CVS 30	3	2.23	1.00	5 3/4	2 3/8	3
CVS 35	3 1/2	2.60	1.25	6 1/8	2 5/8	3 1/2
CVS 40	4	2.92	1.44	6 3/4	2 5/8	4
CVS 50	5	3.68	1.87	7 3/4	2 3/4	5
CVS 60	6	4.42	2.18	9	2 3/4	6

* Additional hole can be supplied-consult factory



TO ORDER:

1. Select catalog number of fitting
2. Indicate number and diameter of cables
3. Where used with interlocked armored cable, specify whether gasket to fit over jacket or over armor