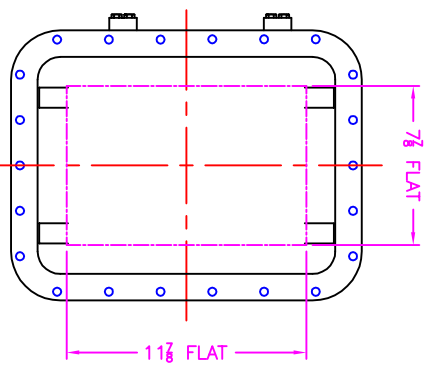
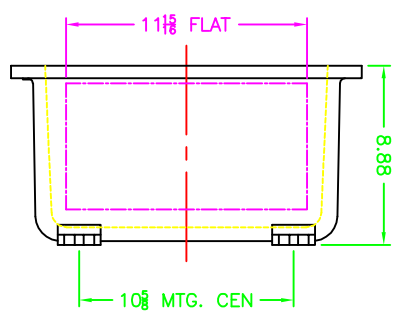
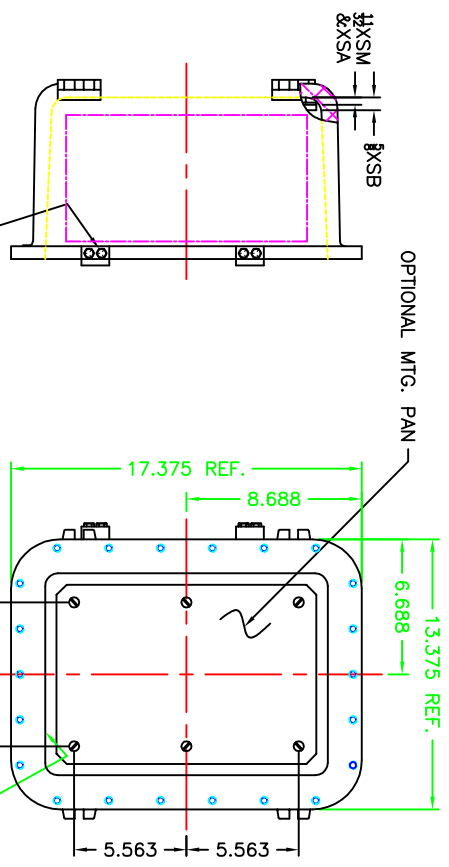
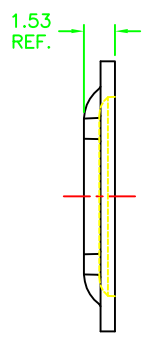
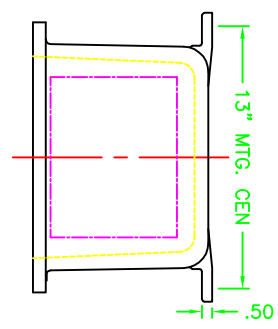


REV	REVISION	BY	EN	DATE

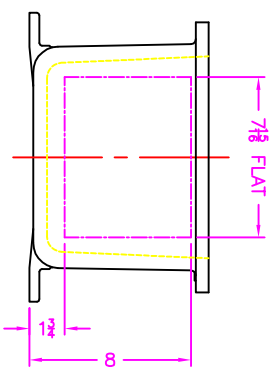


XCE 1014 COVER

NOTES:

1. MINIMUM SPACING FROM CENTER OF OPERATOR TO NEAREST FLAT IS 1 1/8".
2. MINIMUM SPACING BETWEEN 3/4"-1 1/4" NPSM OPERATOR CENTERS IS 2 1/2" FOR THIS ENCLOSURE.
3. MAXIMUM NUMBER OF OPERATORS IS 12.
4. DIMENSION FROM CENTER LINES OF COVER FOR OPERATORS.
5. DIMENSION FROM CENTER LINE AND BACK OF MTG. LUG FOR CONDUIT.
6. FOR MTG. ENCLOSURE USE 3/8" BOLT.

COVER DRILLING ALLOWABLE IN XCE ONLY



NO HOT SCALE DRAWING DIMENSIONS UNLESS OTHERWISE SPECIFIED UNLESS OTHERWISE SPECIFIED ALL DIMENSIONS ARE IN INCHES UNLESS OTHERWISE SPECIFIED FILED OR CONFORM RULE 1/8"		ADALTETT A SCOTT FITZGER COMPANY Mechanical Division - Cable Accessories		MODIFIED XCE/XJF 101408 ENCLOSURE FOR	
NOTICE TO PERSONS RECEIVING THIS DRAWING: THIS DRAWING IS THE PROPERTY OF ADALTETT. IT IS TO BE USED ONLY FOR THE PROJECT AND SITE SPECIFICALLY IDENTIFIED HEREON. NO PARTS OF THIS DRAWING ARE TO BE REPRODUCED OR TRANSMITTED IN ANY FORM OR BY ANY MEANS, ELECTRONIC OR MECHANICAL, INCLUDING PHOTOCOPYING, RECORDING, OR BY ANY INFORMATION STORAGE AND RETRIEVAL SYSTEM, WITHOUT PERMISSION FROM ADALTETT TO THE USER.		DRAWN BY: DDH DATE: 3-16-01		CHECKED BY: DDH DATE: 1-5	
APPROVAL: TUMBLAST DATE: 10F1		APPROVAL: DDH DATE: 3-16-01		APPROVAL: DDH DATE: 1-5	
CAT NO: XCE/XJF 101408		DWG NO:		SHEET: 10F1	