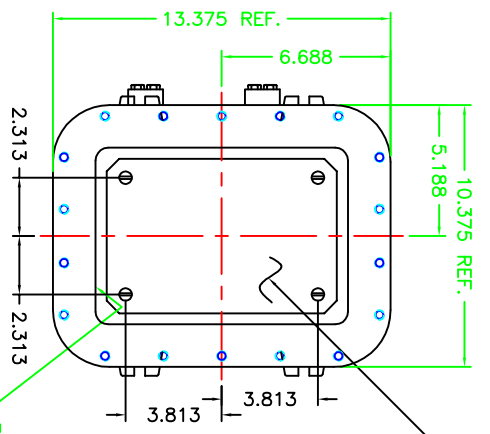
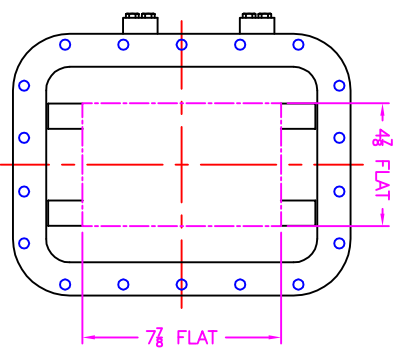
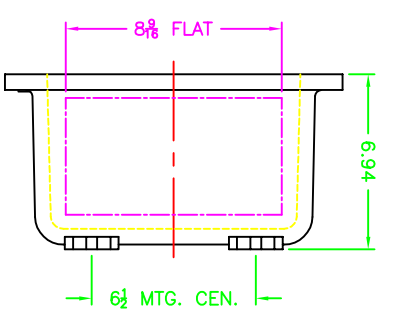


OPTIONAL XHB-2 HINGES



OPTIONAL MTC. PAN

EXISTING GRD. SCREW

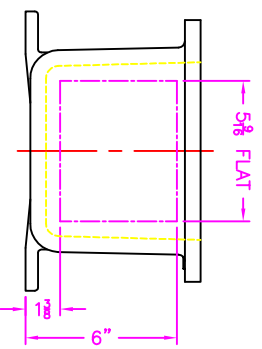


XCE 0710 COVER

NOTES:

1. MINIMUM SPACING FROM CENTER OF OPERATOR TO NEAREST FLAT IS 1 1/8".
2. MINIMUM SPACING BETWEEN 3-14 NPSM OPERATOR CENTERS IS 2 1/2" FOR THIS ENCLOSURE.
3. MAXIMUM NUMBER OF OPERATORS IS 6.
4. DIMENSION FROM CENTER LINE OF COVER FOR OPERATORS.
5. DIMENSION FROM CENTER LINE AND BACK OF MTC. LUG FOR CONDUIT.
6. FOR MTC. ENCLOSURE USE 3/8 BOLT.

COVER DRILLING ALLOWABLE IN XCE ONLY



<p>NO HOT SCALE BEATING</p> <p>TUNING ADJUSTING, REPAIRING, OR REWORKING OF THIS PRODUCT IS NOT PERMITTED. ANY SUCH ATTEMPTS WILL BE CONSIDERED A VIOLATION OF THE WARRANTY AND WILL VOID THE WARRANTY. THE USER SHALL BE RESPONSIBLE FOR THE PROPER USE AND MAINTENANCE OF THIS PRODUCT.</p> <p>FILED IN THE OFFICE OF THE SECRETARY OF COMMERCE, WASHINGTON, D.C. 20540</p> <p>DATE OF FILING: 06/25/01</p> <p>CLASSIFICATION: UNCLASSIFIED</p> <p>CONTROL NUMBER: 10F1</p>	
<p>ADALTETT</p> <p>A SCOTT FETTER COMPANY</p> <p>Manufacture of Enclosures, Cabinets, and Control Panels</p>	
<p>NOTICE TO PERSONS RECEIVING THIS DRAWING: THIS DRAWING IS THE PROPERTY OF ADALTETT. IT IS TO BE USED ONLY FOR THE PROJECT AND FOR THE PURPOSES SPECIFIED HEREON. IT IS NOT TO BE REPRODUCED, COPIED, OR TRANSMITTED IN ANY FORM OR BY ANY MEANS, ELECTRONIC OR MECHANICAL, INCLUDING PHOTOCOPYING, RECORDING, OR BY ANY INFORMATION STORAGE AND RETRIEVAL SYSTEM, WITHOUT THE WRITTEN PERMISSION OF ADALTETT. THIS DRAWING IS TO BE USED ONLY FOR THE PROJECT AND FOR THE PURPOSES SPECIFIED HEREON.</p>	
<p>DATE: 6-12-01</p> <p>BY: DDH</p> <p>SCALE: 1=4</p> <p>APPROVAL: C</p>	<p>DATE: 6-12-01</p> <p>BY: DDH</p> <p>SCALE: 1=4</p> <p>APPROVAL: C</p>
<p>CAT NO: XCE/XJF 071006</p> <p>TUNBLAST</p>	<p>DATE: 10F1</p>