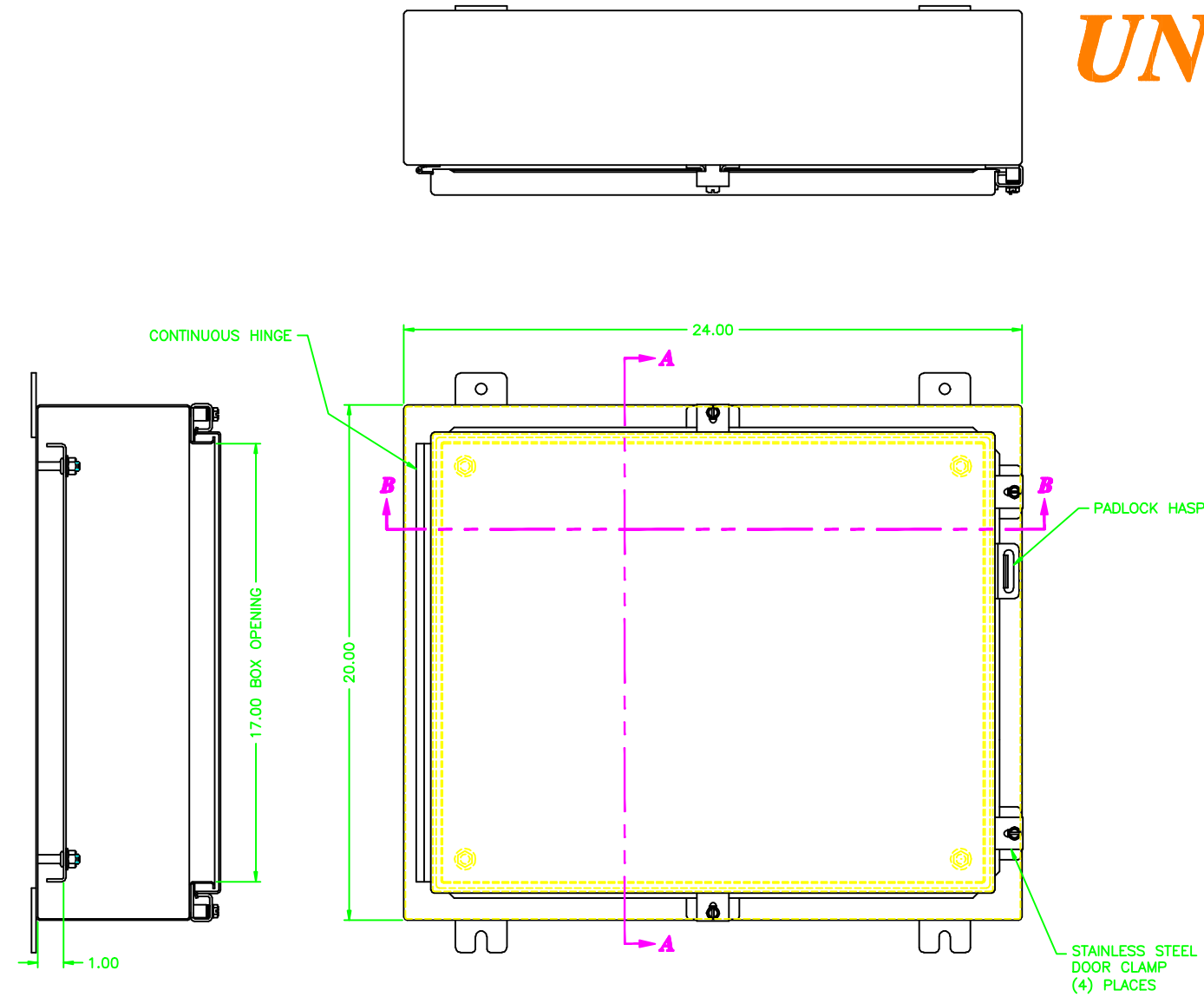


202406

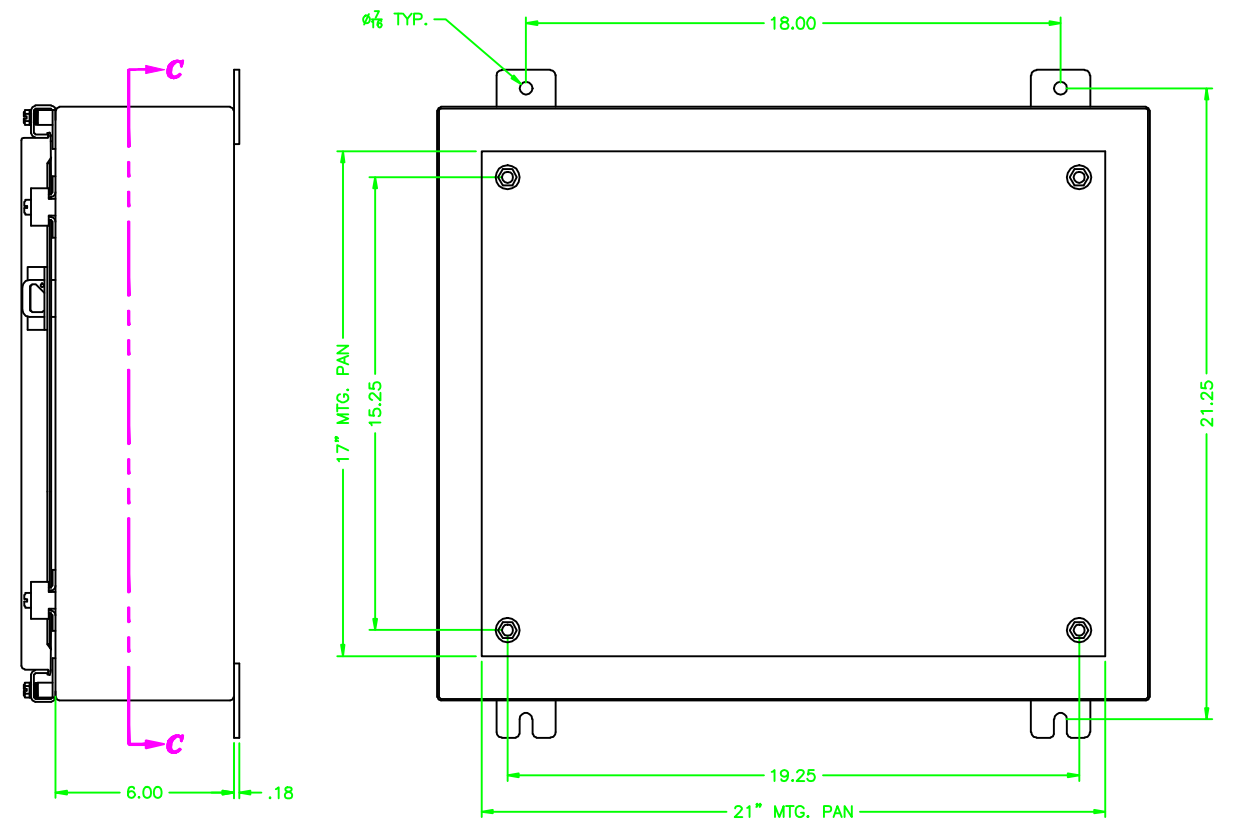
REV	REVISION	BY	BCN	DATE
A	INITIAL RELEASE	CLB		7/8/03

UNCONTROLLED DRAWING

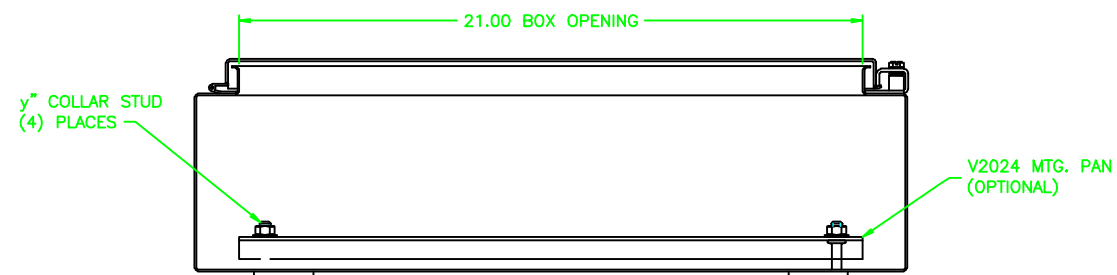
(DATA SUBJECT TO CHANGE WITHOUT NOTICE)
 FOR ADDITIONAL HELP CONTACT ENGINEERING@ADALET.com



SECTION A-A



SECTION C-C



SECTION B-B

ENCLOSURE MATERIAL	CATALOG NUMBER	PART NUMBER
SS316L	N4X6-202406	M10210
SS304	N4X-202406	M10116

DO NOT SCALE DRAWING		UNLESS OTHERWISE SPECIFIED DIMENSIONS ARE IN INCHES.		SHEET METAL TOLERANCES NOT OTHERWISE SPECIFIED:		ADALET A SCOTT FETZER COMPANY Enclosure Systems • Cable Accessories Control Systems • SSI		NOTICE TO PERSONS RECEIVING THIS DRAWING: ADALET CLAIMS PROPRIETARY RIGHTS IN THE MATERIALS, METHODS, AND EQUIPMENT DESCRIBED HEREIN. THIS DRAWING IS ISSUED IN CONFIDENCE FOR ENGINEERING INFORMATION ONLY AND MAY NOT BE REPRODUCED OR USED TO MANUFACTURE, WITHOUT EXPRESS WRITTEN PERMISSION FROM ADALET TO THE USER.		N4-202406 ENCLOSURE ASSEMBLY		
FRAC ± 1/16"	JXX ± .02"	ANGL ± .010"	INSIDE BEND RADIUS = .040" NOM.	WARPAGE = 1/16" PER FOOT	ALL WELD SIZES ARE MIN.	DRAWN BY CLB	DATE 7/8/03	REV 1=3	DESIGNED BY D	DWG NO 202406	SHEET 10F1	REV A