

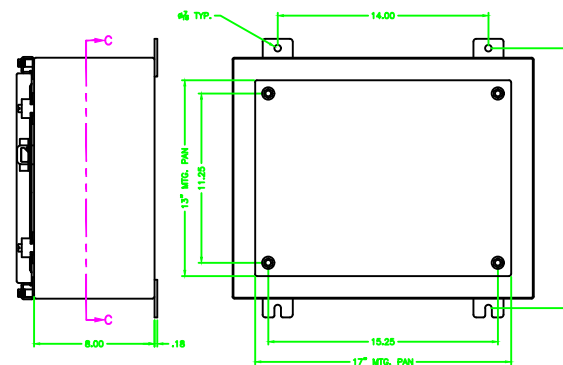
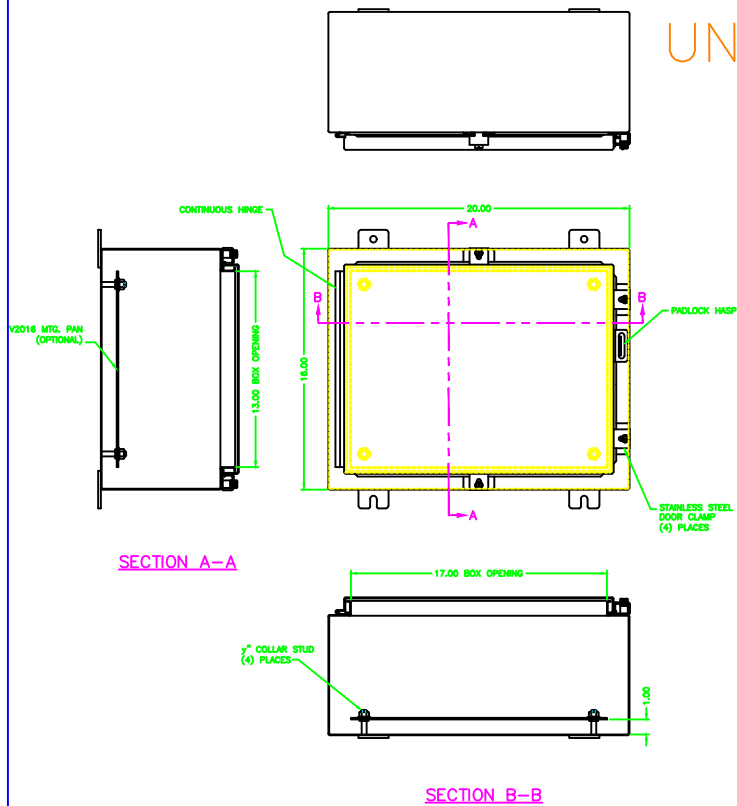
162008

REV	DATE	BY	CHK
1	08/11/03	CLB	17/03

# UNCONTROLLED DRAWING

(DATA SUBJECT TO CHANGE WITHOUT NOTICE)

FOR ADDITIONAL HELP CONTACT [ENGINEERING@ADALET.com](mailto:ENGINEERING@ADALET.com)



ENCLOSURE MATERIAL	CATALOG NUMBER	PART NUMBER
SS304	NAK-162008	M10129
SS308	NAK-162008	M10129

<b>ADALET</b> Aerospace Quality Products		NA-162008 ENCLOSURE ASSEMBLY	
REV	DATE	BY	CHK
1	7/8/03	CLB	17/03
SCALE		1:1	
SHEET		10 OF 1	
DRAWING NO.		162008	
REV		D	