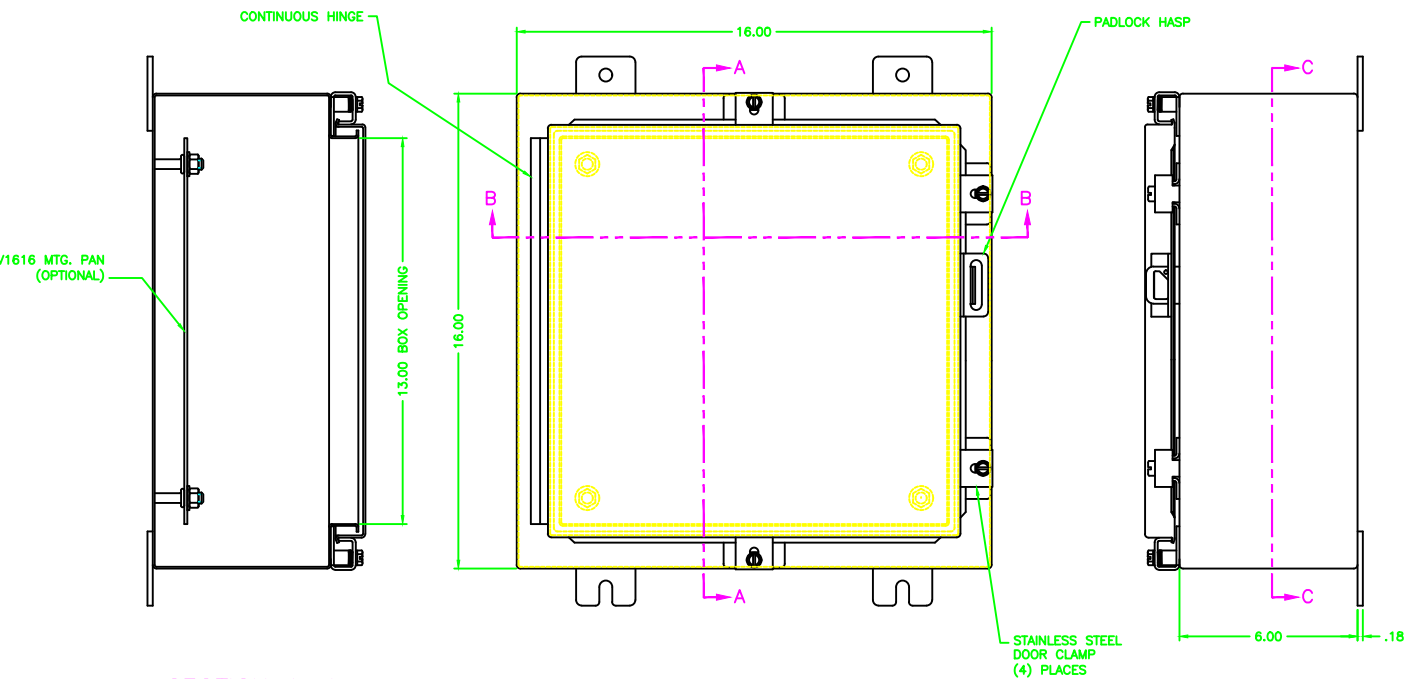
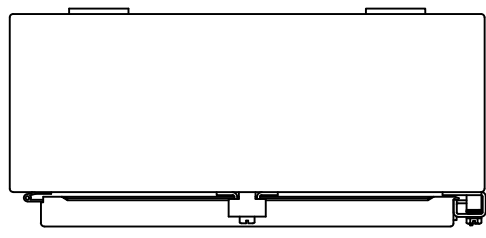


REV	REVISION	BY	CHK	DATE
A	INITIAL RELEASE	CLB		7/8/03

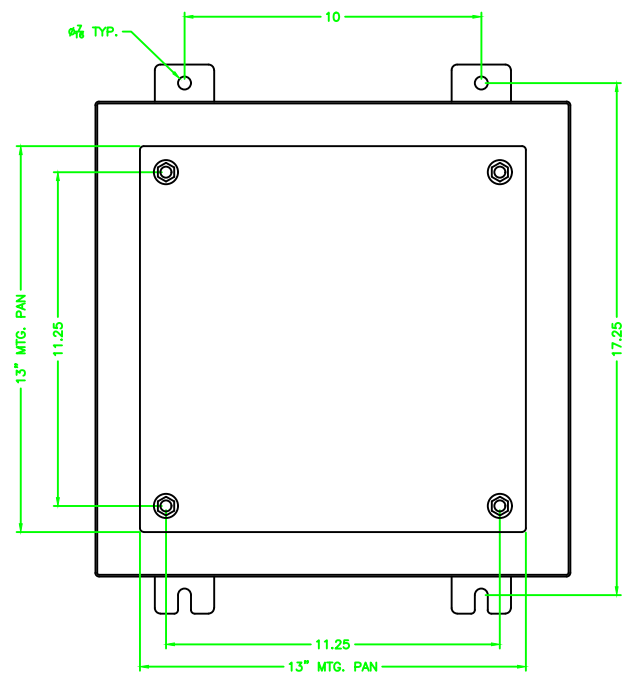
161606

# UNCONTROLLED DRAWING

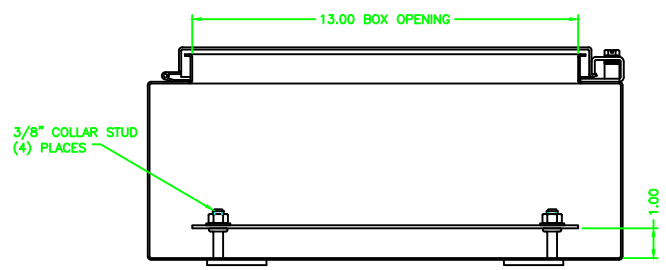
(DATA SUBJECT TO CHANGE WITHOUT NOTICE)  
 FOR ADDITIONAL HELP CONTACT ENGINEERING@ADALET.com



SECTION A-A



SECTION C-C



SECTION B-B

ENCLOSURE MATERIAL	CATALOG NUMBER	PART NUMBER
SS316L	N4XG-161606	M10204
SS304	N4X-161606	M10110
STEEL, POWDER COATED	N4-161606	M11202

<b>ADALET</b> A SCOTT FITZGER COMPANY Enclosure Systems • Cable Assemblies Cleveland, OH	PART NO. N4-161606 JOB # 4147 ANGLES & 90° INSIDE BEND RADIUS = 2X R WELDING = 1/16" PER FOOT ALL WELD SIZE PER WEL	<b>ADALET</b> N4-161606 ENCLOSURE ASSEMBLY
	DATE: 7/8/03 DRAWN BY: CLB CHECKED BY: M10204 PART NUMBER: 1=2,25 REV: D	161606 10F1 A