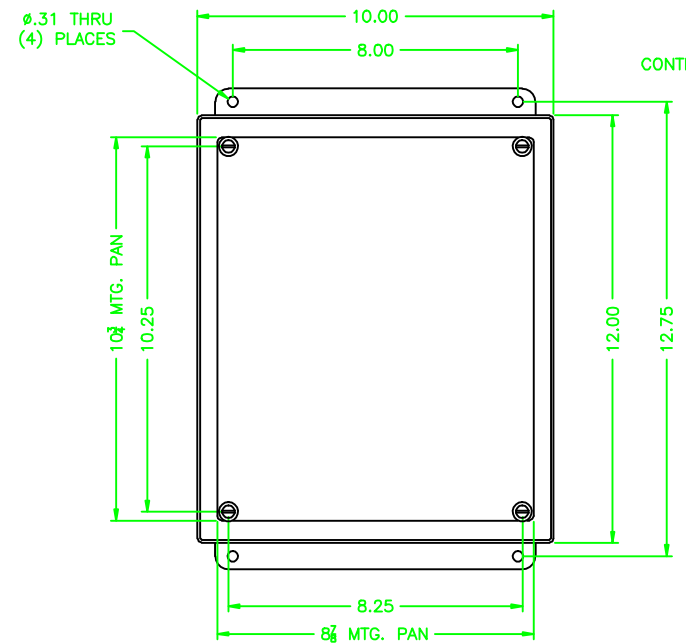
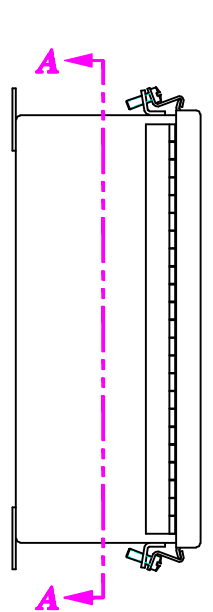
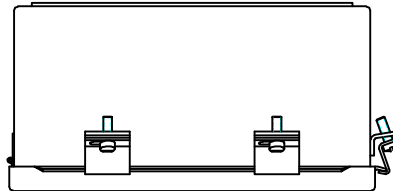


121005

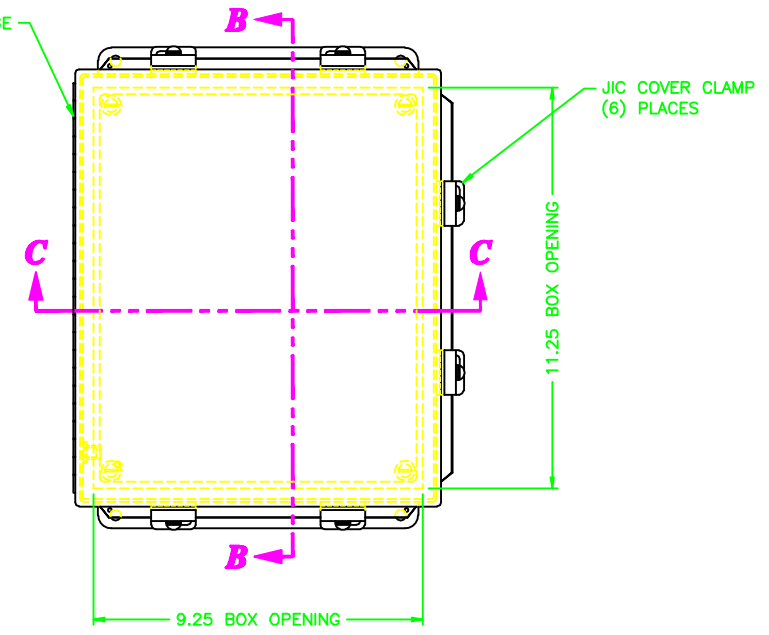
REV	REVISION	BY	BCN	DATE
A	INITIAL RELEASE	CLB		8/15/03
B	10-3/4 MTG PAN DIM WAS 10-7/8	CLB		2/23/04

UNCONTROLLED DRAWING

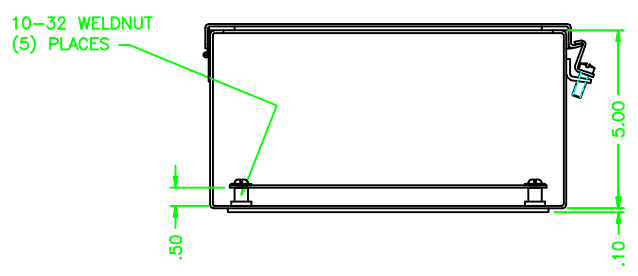
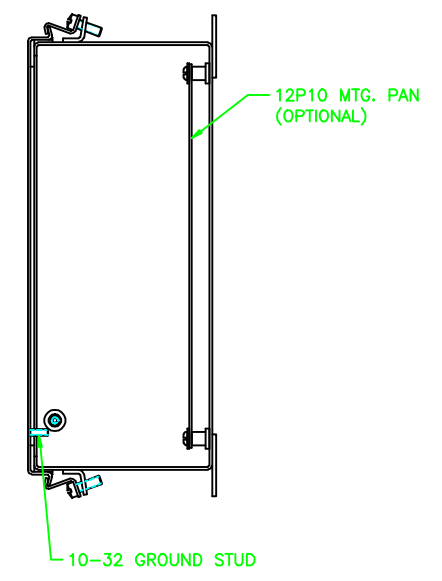
(DATA SUBJECT TO CHANGE WITHOUT NOTICE)
FOR ADDITIONAL HELP CONTACT ENGINEERING@ADALET.com



SECTION A-A



SECTION B-B



SECTION C-C

ENCLOSURE MATERIAL	CATALOG NUMBER	PART NUMBER
SS316L	JN4XHSS6-121005	M10340
SS304	JN4XHSS-121005	M10310

<p>DO NOT SCALE DRAWING</p> <p>UNLESS OTHERWISE SPECIFIED DIMENSIONS ARE IN INCHES.</p> <p>SHEET METAL TOLERANCES NOT OTHERWISE SPECIFIED:</p> <p>FINN ±.1/16"</p> <p>JIC ±.03"</p> <p>JICX ±.010"</p> <p>ANGLES ± 0°-30"</p> <p>INSIDE BEND RADIUS = .040" NOM.</p> <p>WARPAGE = 1/16" PER FOOT</p> <p>ALL WELD SIZES ARE MIN.</p>		<p>ADALET</p> <p>A SCOTT FETZER COMPANY</p> <p>Engineers • Scientists • Cable Assemblers</p> <p>10000 S. 10th St. • Mesa, AZ 85209 • 480-967-8888</p>		<p>DATE: 8/15/03</p> <p>DRAWN BY: CLB</p> <p>SCALE: 1=2.5</p> <p>REV: D</p>	
<p>NOTICE TO PERSONS RECEIVING THIS DRAWING: ADALET CLAIMS PROPRIETARY RIGHTS IN THE MATERIALS, METHODS, AND EQUIPMENT DESCRIBED HEREIN. THIS DRAWING IS ISSUED IN CONFIDENCE FOR ENGINEERING INFORMATION ONLY AND MAY NOT BE REPRODUCED OR USED TO MANUFACTURE, EITHER WHOLLY OR PARTIALLY, WITHOUT WRITTEN PERMISSION FROM ADALET TO THE USER.</p>		<p>JN4XHSS-121005 JIC ASSEMBLY</p>		<p>DWG NO: 121005</p> <p>SHEET: 10F1</p> <p>REV: B</p>	