

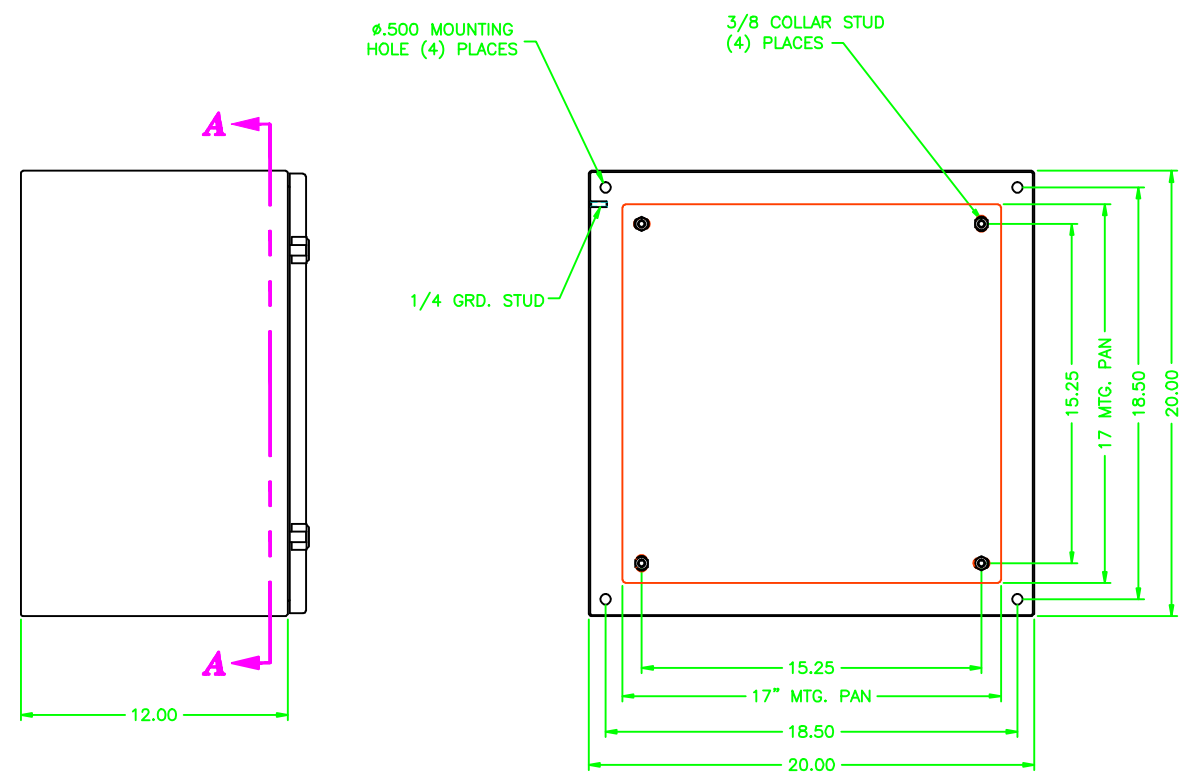
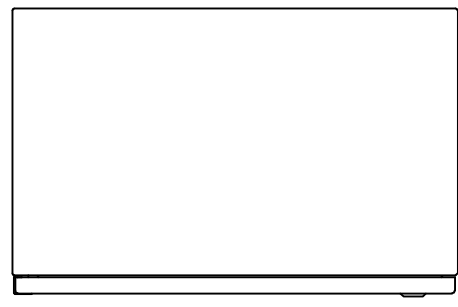
REV	REVISION	BY	DCN	DATE
A	INITIAL RELEASE	CLB		6/3/03

202012

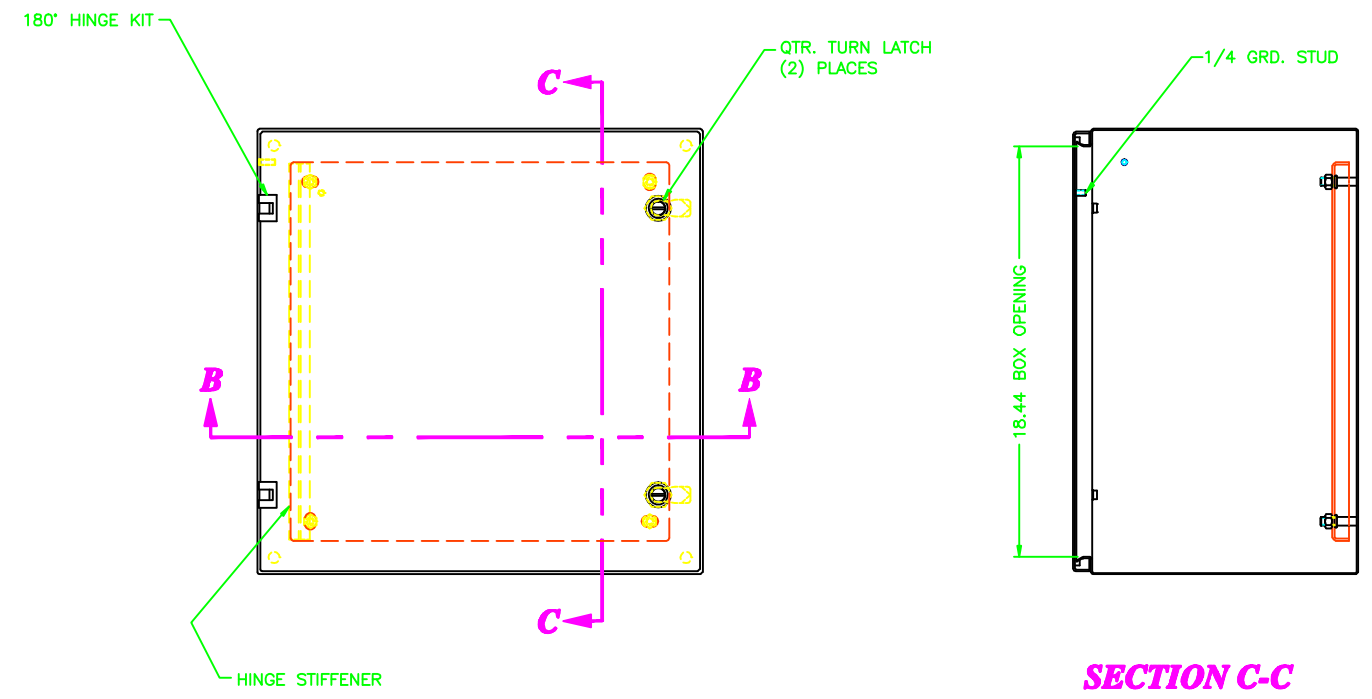
UNCONTROLLED DRAWING

(DATA SUBJECT TO CHANGE WITHOUT NOTICE)

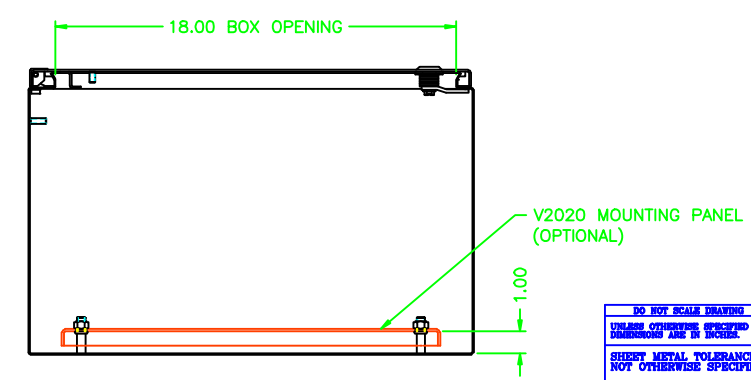
FOR ADDITIONAL HELP CONTACT ENGINEERING@ADALET.com



SECTION A-A



SECTION C-C



SECTION B-B

ENCLOSURE MATERIAL	CATALOG NUMBER	PART NUMBER
SS316L	AVSS6-202012	M10079
SS304	AVSS-202012	M10025

<p>DO NOT SCALE DRAWING</p> <p>UNLESS OTHERWISE SPECIFIED DIMENSIONS ARE IN INCHES.</p> <p>SHEET METAL TOLERANCES NOT OTHERWISE SPECIFIED:</p> <p>FINN ±.1/16"</p> <p>JXX ±.02"</p> <p>JXX ±.010"</p> <p>ANGLES ± 0°-30"</p> <p>INSIDE BEND RADIUS = .040" NOM.</p> <p>WARPAGE = 1/16" PER FOOT</p> <p>ALL WELD SIZES ARE MIN.</p>		<p>ADALET</p> <p>A SCOTT FETZER COMPANY</p> <p>Rotomere Systems • Cable Accessories</p>		<p>202012 VICTORY ENCLOSURE ASSEMBLY</p>	
<p>NOTICE TO PERSONS RECEIVING THIS DRAWING: ADALET CLAIMS PROPRIETARY RIGHTS IN THE MATERIALS, METHODS, AND EQUIPMENT USED IN THE DESIGN AND CONSTRUCTION OF THIS DRAWING. THIS DRAWING IS ISSUED IN CONFIDENCE FOR ENGINEERING INFORMATION ONLY AND MAY NOT BE REPRODUCED OR USED TO MANUFACTURE, EITHER WHOLELY OR IN PART, WITHOUT WRITTEN PERMISSION FROM ADALET TO THE USER.</p>		<p>DRAWN BY: CLB</p> <p>DATE: 6/3/03</p>	<p>APPROVED BY: [Signature]</p> <p>DATE: [Blank]</p>	<p>SCALE: 1=4</p> <p>SHEET: D</p>	<p>REV: A</p>
<p>202012</p>		<p>10F1</p>		<p>A</p>	