

NEMA Type 4X

Stainless Steel Panelboards

STANDARD FEATURES

- ESS316L Construction with continuously welded seams ground smooth
- Gland Plates top & bottom with Breather Drains
- Eaton Pow-R-Line C™ 1a & 2a Panelboards (bolt-on breakers)
- 18-42 Circuit Main Lug Only
- 18-24 Circuit Back Fed Main Breaker (100A max) Top or Bottom Fed
- 1-Phase 3-Wire 120/240 Volt, 3-Phase 4-Wire 120/208 Volt, 3-Phase 4-Wire 277/480 Volt
- 100 or 225 Amp Copper Bus
- Ground Bar and Isolated Neutral Bus
- 10kA Interrupting Capacity (Sym.)

How To Order:

- 1. Specify Catalog Number**
- 2. Starting with Circuit #1** (Circuit #2 on back fed main breaker panelboards), specify circuit breaker type, number of poles, and ampacity.
- 3. For N4XPBH Series:**
 - Handles will be provided for each breaker specified.
 - Unused spaces will be plugged.
 - For blank spaces requiring handles, specify handle catalog number and circuit number.
- 4. Specify Entries**, if Any are Required
 - Attach layout sheet.

CERTIFICATIONS

UL508A, File Number E185906

UL50E, Type 4, 4X & 13

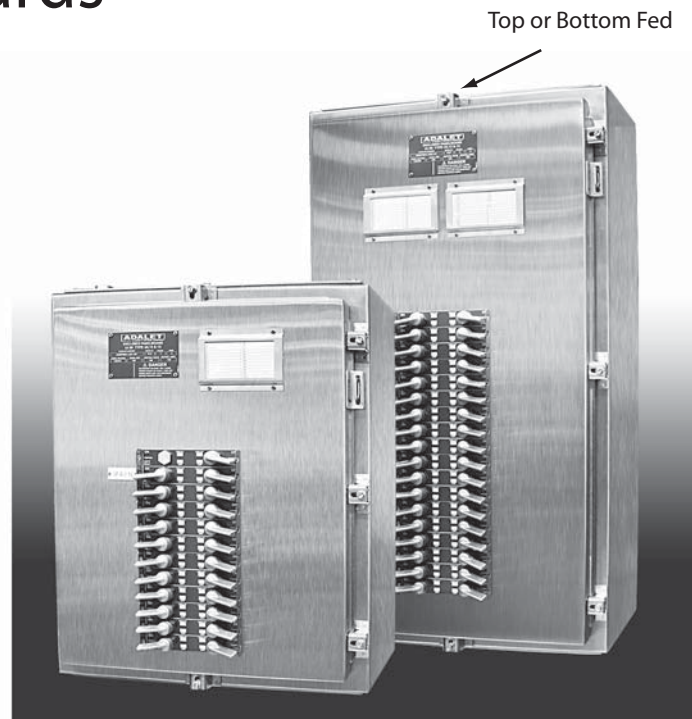


Stainless Steel Panelboards

N4XPBH Series

STANDARD FEATURES

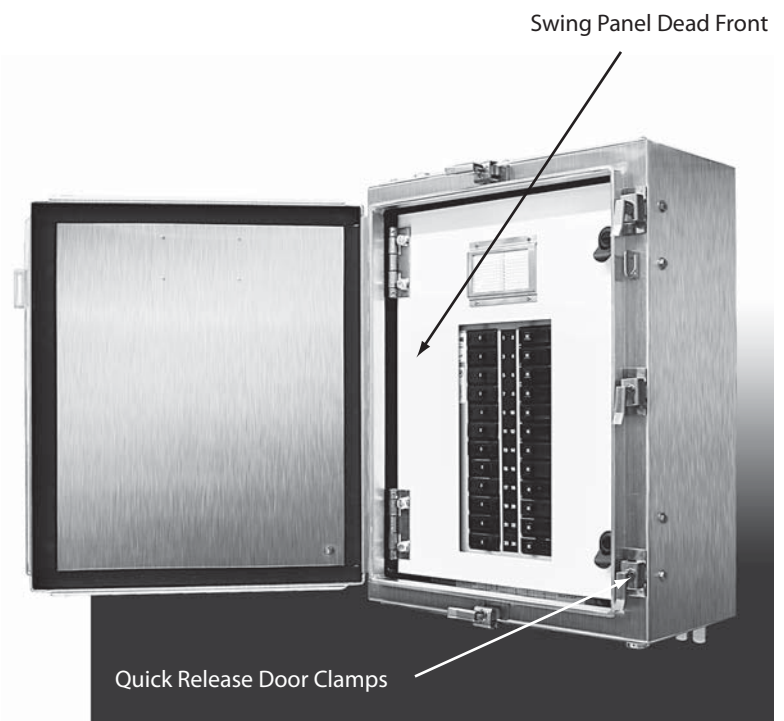
- Type 4X, 12 & 13 Enclosed Panelboard
- Circuit Breaker Operating Handles—aluminum handles (stainless steel handle option available, consult factory) with stainless steel bushings and shafts. V-ring seals, gaskets and sealing nuts provided for water tight seal. Handles are spring loaded allowing for the door to be closed with the breaker toggle in any position. GFI/EPD handles are colored green and include external test capabilities.
- Lockplate provision provides padlocking for each individual breaker in either the “on” or “off” position.
- Individual operating labels identify breaker position (on, off, tripped) the circuit number and breaker amperages.
- Circuit Directory Holder Card
- Back Fed Main Breaker Assemblies provided with “Main” Nameplate.
- UL/cUL Listed



N4XPB Series

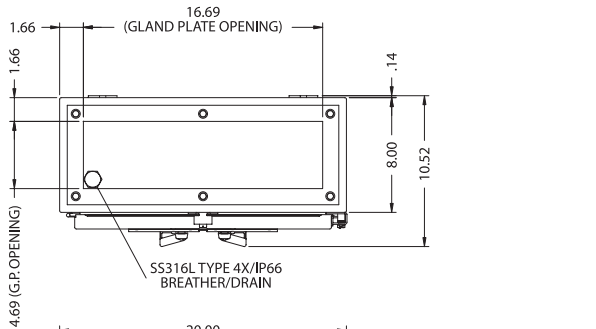
STANDARD FEATURES

- Type 4X, 12 & 13 Enclosed Panelboard
- Swing Panel Dead Front isolates the wiring space, wiring gutter and termination area which would be otherwise exposed when the door is opened.
- Quick Release Door Clamps for fast access to interior panel (optional)
- UL/cUL Listed

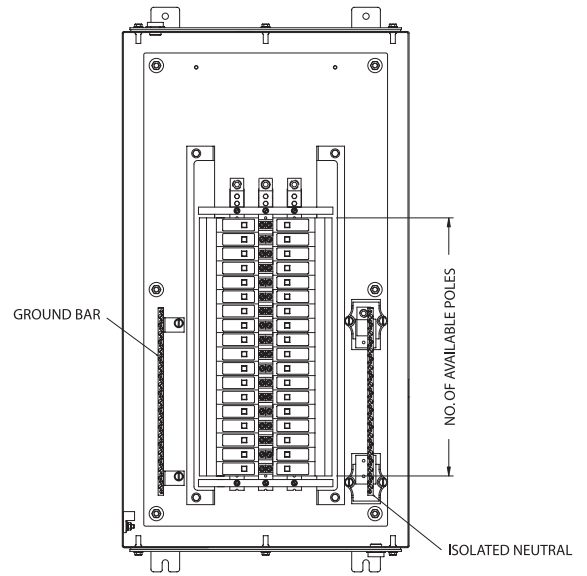
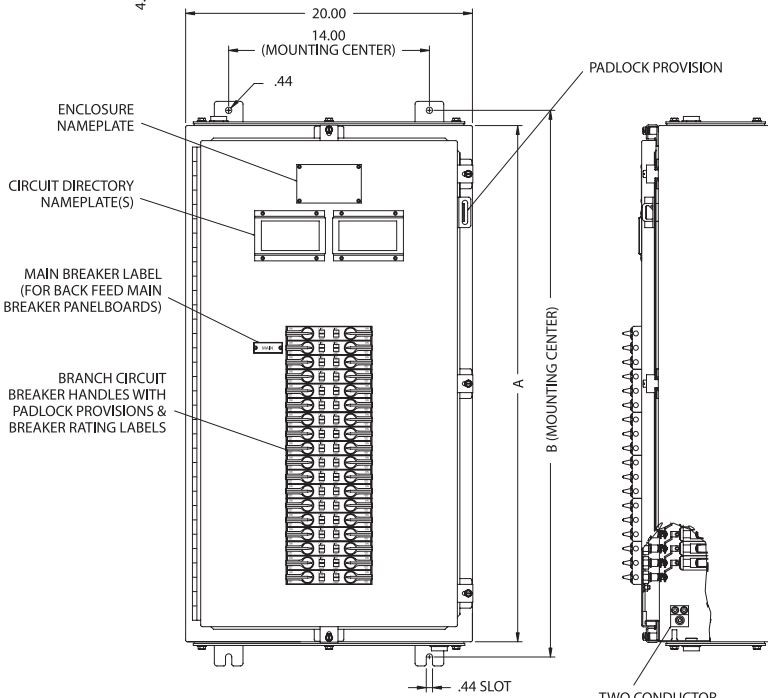


NEMA Type 4X

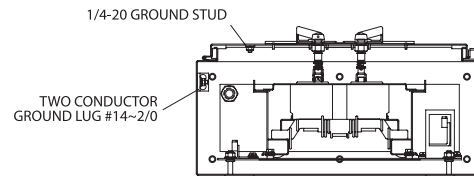
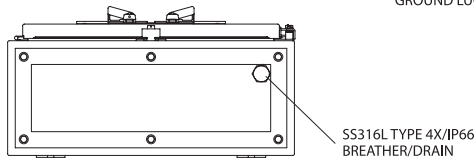
Stainless Steel Panelboards - N4XPBH Series



(Top Fed Model Shown)



VIEW SHOWN WITHOUT DEADFRONT



BRANCH BREAKERS

PRL1A			PRL2A		
Type	Poles	Ampacity	Type	Poles	Ampacity
BAB	1	10-70 & 100	GHB	1	15-100
	2	10-125		2	15-100
	3	10-100		3	15-100
QBGF	1	15-40			
	2	15-50			
QBGFEP	1	15-40			
	2	15-50			

N4XPBH SERIES PANELBOARDS (Top Fed)

	Catalog #	# of Avail. Poles	Electrical Rating (see Note 3)	Buss Amp	Panelboard	A	B
Main Lug Only	N4XPBH1-121-L1	12	1Ø-3W 120/240V	100	PRL1A	16.00	18.13
	N4XPBH1-181-L1	18	1Ø-3W 120/240V	100	PRL1A	24.00	26.13
	N4XPBH1-241-L1	24	1Ø-3W 120/240V	100	PRL1A	24.00	26.13
	N4XPBH1-241-L2	24	1Ø-3W 120/240V	225	PRL1A	30.00	32.13
	N4XPBH1-301-L2	30	1Ø-3W 120/240V	225	PRL1A	30.00	32.13
	N4XPBH1-361-L2	36	1Ø-3W 120/240V	225	PRL1A	36.00	38.13
	N4XPBH1-421-L2	42	1Ø-3W 120/240V	225	PRL1A	36.00	38.13
	N4XPBH1-123-L1	12	3Ø-4W 120-208V	100	PRL1A	16.00	18.13
	N4XPBH1-183-L1	18	3Ø-4W 120-208V	100	PRL1A	24.00	26.13
	N4XPBH1-243-L1	24	3Ø-4W 120-208V	100	PRL1A	24.00	26.13
	N4XPBH1-243-L2	24	3Ø-4W 120-208V	225	PRL1A	30.00	32.13
	N4XPBH1-303-L2	30	3Ø-4W 120-208V	225	PRL1A	30.00	32.13
	N4XPBH1-363-L2	36	3Ø-4W 120-208V	225	PRL1A	36.00	38.13
	N4XPBH1-423-L2	42	3Ø-4W 120-208V	225	PRL1A	36.00	38.13
	N4XPBH2-123-L1	12	3Ø-4W 277-480V	100	PRL2A	16.00	18.13
	N4XPBH2-183-L1	18	3Ø-4W 277-480V	100	PRL2A	24.00	26.13
	N4XPBH2-243-L1	24	3Ø-4W 277-480V	100	PRL2A	24.00	26.13
	N4XPBH2-243-L2	24	3Ø-4W 277-480V	225	PRL2A	30.00	32.13
	N4XPBH2-303-L2	30	3Ø-4W 277-480V	225	PRL2A	30.00	32.13
	N4XPBH2-363-L2	36	3Ø-4W 277-480V	225	PRL2A	36.00	38.13
N4XPBH2-423-L2	42	3Ø-4W 277-480V	225	PRL2A	36.00	38.13	
100A Back Fed Main Breaker	N4XPBH1-161-B1	16	1Ø-3W 120/240V	100	PRL1A	24.00	26.13
	N4XPBH1-221-B1	22	1Ø-3W 120/240V	100	PRL1A	24.00	26.13
	N4XPBH1-153-B1	15	3Ø-4W 120/208V	100	PRL1A	24.00	26.13
	N4XPBH1-213-B1	21	3Ø-4W 120/208V	100	PRL1A	24.00	26.13
	N4XPBH2-153-B1	15	3Ø-4W 277/480V	100	PRL2A	24.00	26.13
	N4XPBH2-213-B1	21	3Ø-4W 277/480V	100	PRL2A	24.00	26.13

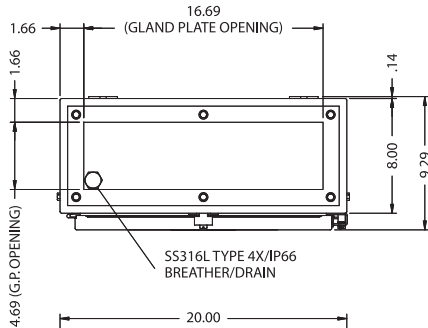
- NOTES:** 1. For Bottom Fed Model add suffix -BF
 2. For fast operating lever door clamps add suffix -LC
 3. 10kA Interrupting Capacity (Sym.)

BRANCH CIRCUIT OPERATING HANDLES & PLUGS

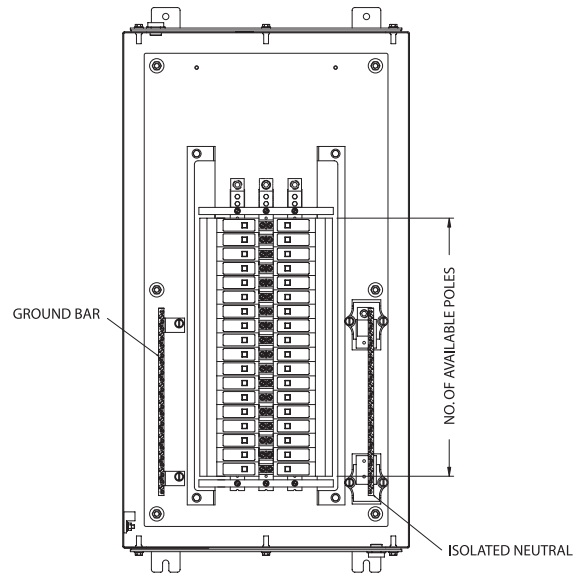
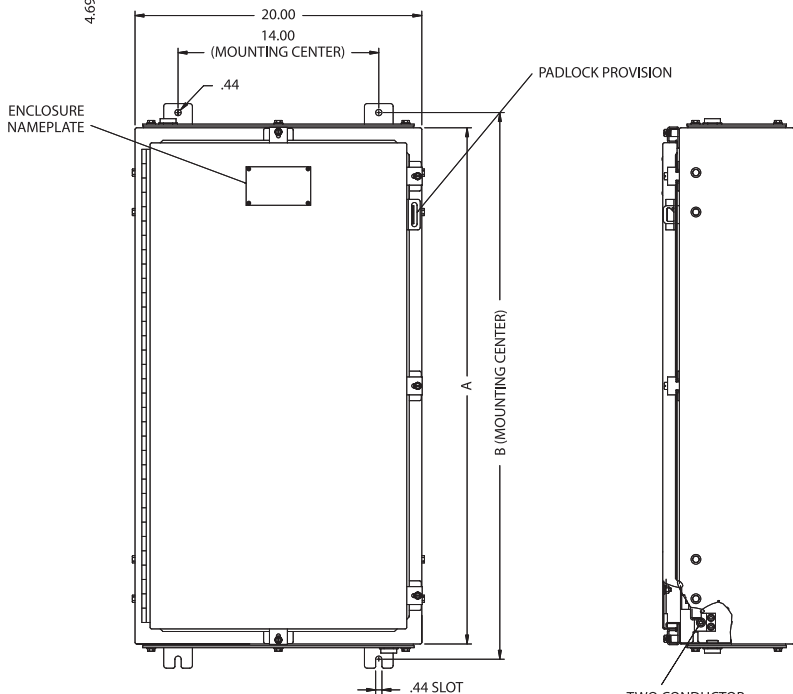
Catalog #	Description
N4XPB1-H1	Single Pole PL1A Breaker Handle
N4XPB1-H2	Two Pole PL1A Breaker Handle
N4XPB1-H3	Three Pole PL1A Breaker Handle
N4XPB1-H	PL2A Breaker Handle (ALL POLES)
N4XPB1-GL	Single Pole PL1A GFI/EPD Breaker Handle - Left Hand
N4XPB1-GR	Single Pole PL1A GFI/EPD Breaker Handle - Right Hand
N4XPB1-GL2	Two Pole PL1A GFI/EPD Breaker Handle - Left Hand
N4XPB1-GR2	Two Pole PL1A GFI/EPD Breaker Handle - Right Hand
N4XPB-HP	Unused Operator Hole Plug

NEMA Type 4X

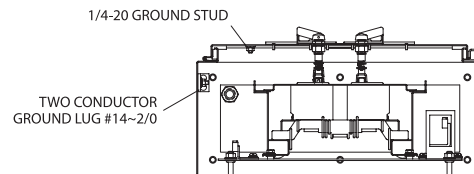
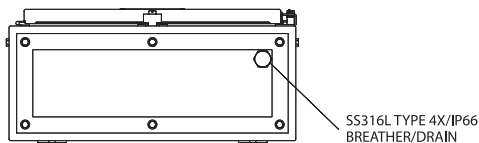
Stainless Steel Panelboards - N4XPB Series



(Top Fed Model Shown)



VIEW SHOWN WITHOUT DEADFRONT & SWING PANEL



BRANCH BREAKERS

PRL1A			PRL2A		
Type	Poles	Ampacity	Type	Poles	Ampacity
BAB	1	10-70 & 100	GHB	1	15-100
	2	10-125		2	15-100
	3	10-100		3	15-100
QBGF	1	15-40			
	2	15-50			
QBGFEP	1	15-40			
	2	15-50			

N4XPB SERIES PANELBOARDS (Top Fed)

	Catalog #	# of Avail. Poles	Electrical Rating (see Note 3)	Buss Amp	Panelboard	A	B
Main Lug Only	N4XPB1-121-L1	12	1Ø-3W 120/240V	100	PRL1A	16.00	18.13
	N4XPB1-181-L1	18	1Ø-3W 120/240V	100	PRL1A	24.00	26.13
	N4XPB1-241-L1	24	1Ø-3W 120/240V	100	PRL1A	24.00	26.13
	N4XPB1-241-L2	24	1Ø-3W 120/240V	225	PRL1A	30.00	32.13
	N4XPB1-301-L2	30	1Ø-3W 120/240V	225	PRL1A	30.00	32.13
	N4XPB1-361-L2	36	1Ø-3W 120/240V	225	PRL1A	36.00	38.13
	N4XPB1-421-L2	42	1Ø-3W 120/240V	225	PRL1A	36.00	38.13
	N4XPB1-123-L1	12	3Ø-4W 120-208V	100	PRL1A	16.00	18.13
	N4XPB1-183-L1	18	3Ø-4W 120-208V	100	PRL1A	24.00	26.13
	N4XPB1-243-L1	24	3Ø-4W 120-208V	100	PRL1A	24.00	26.13
	N4XPB1-243-L2	24	3Ø-4W 120-208V	225	PRL1A	30.00	32.13
	N4XPB1-303-L2	30	3Ø-4W 120-208V	225	PRL1A	30.00	32.13
	N4XPB1-363-L2	36	3Ø-4W 120-208V	225	PRL1A	36.00	38.13
	N4XPB1-423-L2	42	3Ø-4W 120-208V	225	PRL1A	36.00	38.13
	N4XPB2-123-L1	12	3Ø-4W 277-480V	100	PRL1A	16.00	18.13
	N4XPB2-183-L1	18	3Ø-4W 277-480V	100	PRL2A	24.00	26.13
	N4XPB2-243-L1	24	3Ø-4W 277-480V	100	PRL2A	24.00	26.13
	N4XPB2-243-L2	24	3Ø-4W 277-480V	225	PRL2A	30.00	32.13
	N4XPB2-303-L2	30	3Ø-4W 277-480V	225	PRL2A	30.00	32.13
	N4XPB2-363-L2	36	3Ø-4W 277-480V	225	PRL2A	36.00	38.13
N4XPB2-423-L2	42	3Ø-4W 277-480V	225	PRL2A	36.00	38.13	
100A Back Fed Main Breaker	N4XPB1-161-B1	16	1Ø-3W 120/240V	100	PRL1A	24.00	26.13
	N4XPB1-221-B1	22	1Ø-3W 120/240V	100	PRL1A	24.00	26.13
	N4XPB1-153-B1	15	3Ø-4W 120/208V	100	PRL1A	24.00	26.13
	N4XPB1-213-B1	21	3Ø-4W 120/208V	100	PRL1A	24.00	26.13
	N4XPB2-153-B1	15	3Ø-4W 277/480V	100	PRL2A	24.00	26.13
	N4XPB2-213-B1	21	3Ø-4W 277/480V	100	PRL2A	24.00	26.13

- NOTES:**
1. For Bottom Fed Model add suffix -BF
 2. For fast operating lever door clamps add suffix -LC
 3. 10kA Interrupting Capacity (Sym.)