

PRO Series Hinge Cover Enclosures

The PRO series offers a completely non-metallic design for electrical and electronic applications requiring a rugged, but lightweight enclosure.

STANDARD FEATURES

- All sizes include integral mounting flange and latch
- Bases, opaque covers and clear covers are non-corrosive and UV resistant polycarbonate
- Standard hinge allows easy door removal and 225 degree door swing
- Standard color is light gray with a high gloss finish
- Mounting system, gasket and cover included
- Features multiple internal molded-in bosses for easy installation of components and DIN rails
- Unique face plate and swing panel mounting system available

CERTIFICATIONS

UL-50 / cUL Listed
 NEMA Type 3, 3R, 3S, 4, 4X, 6/6P*, 12 & 13
 IP66 / IP68*



NON-METALLIC
ENCLOSURES

MADE IN USA

CATALOG #	ENCLOSURE	SIZE	WEIGHT (lbs)
N4XP-P060603*	Opaque Std. Hinge Cover/Latch/Flanges	6 x 6 x 3	2.0
N4XP-P060603C*	Clear Std. Hinge Cover/Latch/Flanges	6 x 6 x 3	2.0
N4XP-P080603	Opaque Std. Hinge Cover/Latch/Flanges	8 x 6 x 3	2.0
N4XP-P080603C	Clear Std. Hinge Cover/Latch/Flanges	8 x 6 x 3	2.0
N4XP-P090802	Opaque Std. Hinge Cover/Latch/Flanges	9 x 8 x 2	2.0
N4XP-P090802C	Clear Std. Hinge Cover/Latch/Flanges	9 x 8 x 2	2.0
N4XP-P100806	Opaque Std. Hinge Cover/Latch/Flanges	10 x 8 x 6	4.0
N4XP-P100806C	Clear Std. Hinge Cover/Latch/Flanges	10 x 8 x 6	4.0

* Represents certification correlations

Measurements in inches

PRO Series Hinge Cover & Stainless Steel Locking Latch

The PRO series offers a completely non-metallic design for electrical and electronic applications requiring a rugged, but lightweight enclosure.

STANDARD FEATURES

- Standard hinge allows easy door removal and 225 degree door swing
- Features multiple internal molded-in bosses for easy installation of components and DIN rails
- Bases, opaque covers and clear covers are non-corrosive and UV resistant polycarbonate
- Standard color is light gray with a high gloss finish
- Mounting system, gasket and cover included
- All sizes include integral mounting flange
- Unique face plate and swing panel mounting system available

CERTIFICATIONS

UL-50 / cUL Listed
 NEMA Type 3, 3R, 3S, 4, 4X, 6, 12 & 13
 IP66



NON-METALLIC
ENCLOSURES

MADE IN USA

CATALOG #	ENCLOSURE	SIZE	WEIGHT (lbs)
N4XP-P060603LL	Opaque Hinge Cover/SS Latch/Flanges	6 x 6 x 3	2.0
N4XP-P060603CLL	Clear Hinge Cover/SS Latch/Flanges	6 x 6 x 3	2.0
N4XP-P080603LL	Opaque Hinge Cover/SS Latch/Flanges	8 x 6 x 3	2.0
N4XP-P080603CLL	Clear Hinge Cover/SS Latch/Flanges	8 x 6 x 3	2.0
N4XP-P100806LL	Opaque Hinge Cover/SS Latch/Flanges	10 x 8 x 6	4.0
N4XP-P100806CLL	Clear Hinge Cover/SS Latch/Flanges	10 x 8 x 6	4.0

Measurements in inches

PRO Series Low Profile Hinge Cover

The PRO series offers a completely non-metallic design for electrical and electronic applications requiring a rugged, but lightweight enclosure.

STANDARD FEATURES

- All sizes include integral mounting flange and latch
- Features multiple internal molded-in bosses for easy installation of components and DIN rails
- Bases, opaque covers and clear covers are non-corrosive and UV resistant polycarbonate
- Standard hinge allows easy door removal and 225 degree door swing
- Standard color is light gray with a high gloss finish
- Mounting system, gasket and cover included
- Unique face plate and swing panel mounting system available
- Enclosures are rated NEMA 6P for submersible applications

CERTIFICATIONS

UL-50 / cUL Listed
 NEMA Type 3, 3R, 3S, 4, 4X, 6/6P, 12 & 13
 IP68



NON-METALLIC
ENCLOSURES

MADE IN USA

CATALOG #	ENCLOSURE	SIZE	WEIGHT (lbs)
N4XP-P060603LP	Opaque Low Profile Hinge Cover/Latch/Flanges	6 x 6 x 3	2.0
N4XP-P060603LPC	Clear Low Profile Hinge Cover/Latch/Flanges	6 x 6 x 3	2.0
N4XP-P080603LP	Opaque Low Profile Hinge Cover/Latch/Flanges	8 x 6 x 3	2.0
N4XP-P080603LPC	Clear Low Profile Hinge Cover/Latch/Flanges	8 x 6 x 3	2.0
N4XP-P100806LP	Opaque Low Profile Hinge Cover/Latch/Flanges	10 x 8 x 6	4.0
N4XP-P100806LPC	Clear Low Profile Hinge Cover/Latch/Flanges	10 x 8 x 6	4.0

Measurements in inches

PRO Series Low Profile Hinge Cover & Stainless Steel Locking Latch

The PRO series offers a completely non-metallic design for electrical and electronic applications requiring rugged, but lightweight enclosure.

STANDARD FEATURES

- All sizes include integral mounting flange
- Standard hinge allows easy door removal and 225 degree door swing
- Features multiple internal molded-in bosses for easy installation of components and DIN rails.
- Standard color is light gray with a high gloss finish
- Bases, opaque covers and clear covers are non-corrosive and UV resistant polycarbonate
- Mounting system, gasket and cover included
- Unique face plate and swing panel mounting system available

CERTIFICATIONS

UL-50 / cUL Listed
NEMA Type 3, 3R, 3S, 4, 4X, 6/6P, 12 & 13
IP68



NON-METALLIC
ENCLOSURES

MADE IN USA

CATALOG #	ENCLOSURE	SIZE	WEIGHT (lbs)
N4XP-P060603LPLL	Opaque Low Profile Hinge Cover/SS Latch/Flanges	6 x 6 x 3	2.0
N4XP-P060603LPCLL	Clear Low Profile Hinge Cover/SS Latch/Flanges	6 x 6 x 3	2.0
N4XP-P080603LPLL	Opaque Low Profile Hinge Cover/SS Latch/Flanges	8 x 6 x 3	2.0
N4XP-P080603LPCLL	Clear Low Profile Hinge Cover/SS Latch/Flanges	8 x 6 x 3	2.0
N4XP-P100806LPLL	Opaque Low Profile Hinge Cover/SS Latch/Flanges	10 x 8 x 6	4.0
N4XP-P100806LPCLL	Clear Low Profile Hinge Cover/SS Latch/Flanges	10 x 8 x 6	4.0

Measurements in inches

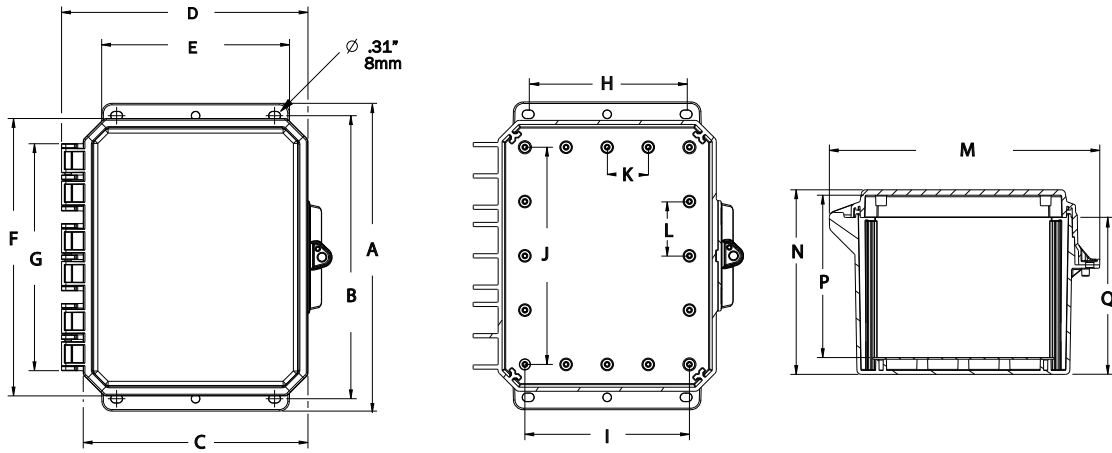
SEND ORDERS TO ORDERS@ADALET.COM

T: 216.267.9000 | F: 216.267.1681 | info@adalet.com

©Adalet

POLYCARBONATE

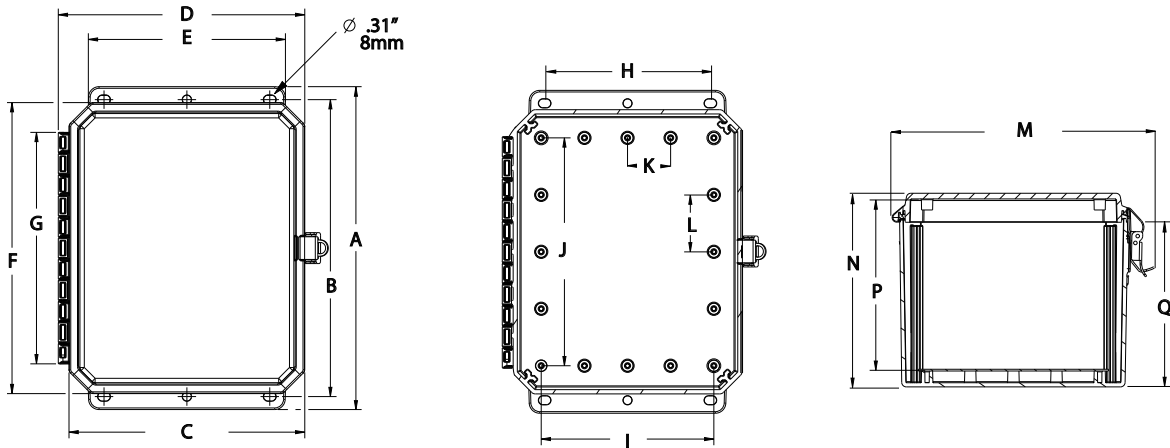
DIMENSIONS FOR PRO SERIES ENCLOSURES



STANDARD HINGE

ENCLOSURE DIM.	A	B	C	D	E	F	G	H	I x J	K	L	M	N	P	Q
6" x 6" x 3"	7.80 (198)	6.75 (171)	6.54 (166)	7.36 (187)	4.80 (122)	6.54 (166)	4.88 (124)	4.00 (102)	4.88 x 4.88 (124 x 124)	2.25 (57)	1.50 (38)	7.72 (196)	4.01 (102)	3.38 (86)	3.25 (83)
8" x 6" x 3"	9.80 (249)	8.88 (226)	6.54 (166)	6.92 (176)	4.80 (122)	8.54 (217)	5.32 (136)	4.00 (102)	4.25 x 6.25 (108 x 159)	2.25 (57)	2.25 (57)	7.75 (197)	4.01 (102)	3.38 (86)	3.25 (83)
9" x 8" x 2"	11.06 (281)	10.12 (257)	8.45 (217)	9.36 (238)	7.18 (181)	9.54 (242)	5.53 (141)	6.00 (152)	6.25 x 6.25 (159 x 159)	3.12 (79)	2.06 (52)	10.26 (261)	3.51 (90)	2.89 (74)	3.21 (82)
10" x 8" x 6"	11.69 (297)	10.75 (273)	8.45 (217)	9.36 (238)	7.14 (181)	10.54 (268)	8.62 (219)	6.00 (152)	6.25 x 8.25 (159 x 210)	1.56 (40)	2.06 (52)	10.27 (261)	7.01 (178)	5.96 (151)	6.10 (155)

Measurements in inches (mm)



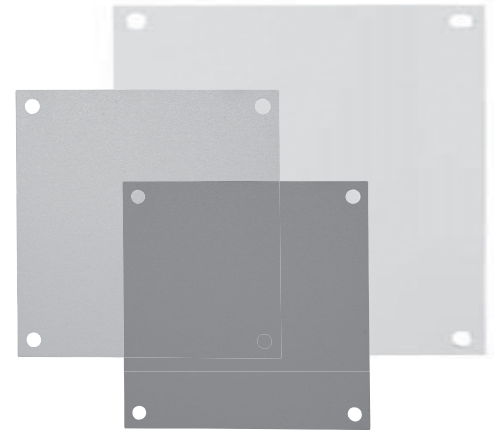
LOW PROFILE HINGE

ENCLOSURE DIM.	A	B	C	D	E	F	G	H	I x J	K	L	M	N	P	Q
6" x 6" x 3"	7.80 (198)	6.75 (171)	6.54 (166)	9.62 (176)	4.80 (122)	6.54 (166)	5.32 (135)	4.00 (102)	4.88 x 4.88 (124 x 124)	2.25 (57)	1.50 (38)	7.72 (196)	4.01 (102)	3.38 (86)	3.25 (83)
8" x 6" x 3"	9.80 (249)	8.88 (226)	6.54 (166)	6.92 (176)	4.80 (122)	8.54 (217)	5.32 (135)	4.00 (102)	4.25 x 6.25 (108 x 159)	2.25 (57)	2.25 (57)	7.75 (197)	4.01 (102)	3.38 (86)	3.25 (83)
10" x 8" x 6"	11.69 (297)	10.75 (273)	8.45 (217)	8.92 (227)	7.14 (181)	10.54 (268)	8.38 (213)	6.00 (152)	6.25 x 8.25 (159 x 210)	1.56 (40)	2.06 (52)	10.27 (261)	7.01 (178)	5.96 (151)	6.10 (155)

Measurements in inches (mm)

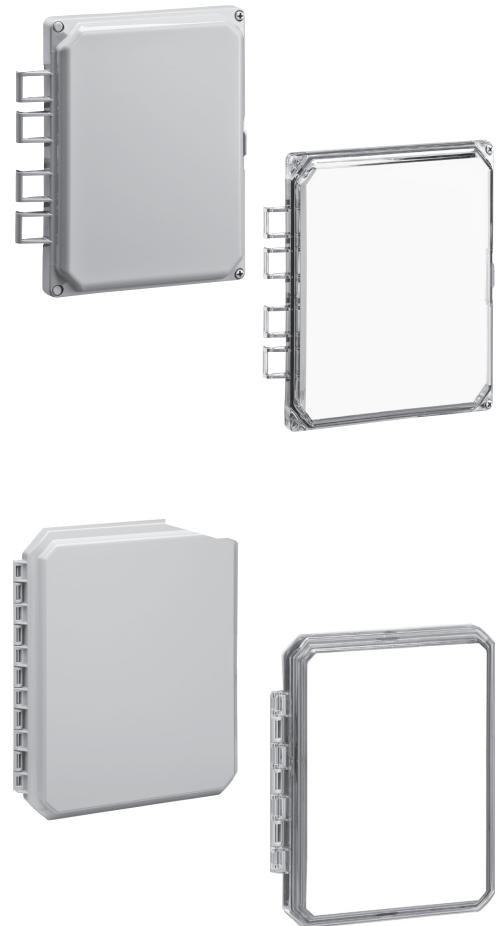
Mounting Panels

PANEL SELECTION				
ALUMINUM CATALOG #	PVC CATALOG #	STEEL CATALOG #	DESCRIPTION	SIZE
ABP66-IMP	PVCBP66-IMP	SBP66-IMP	Panel for 6" x 6" enclosure	4.88"x4.88"
ABP86-IMP	PVCBP86-IMP	SBP86-IMP	Panel for 8" x 6" enclosure	6.75"x4.88"
ABP88-IMP	PVCBP88-IMP	SBP88-IMP	Panel for 8" x 8" enclosure	6.75"x6.75"
ABP108-IMP	n/a	SBP108-IMP	Panel for 10" x 8" x 4" enclosure	8.75"x6.88"



Replacement Covers

CLEAR REPLACEMENT COVERS		
CATALOG NUMBER	DESCRIPTION	SIZE
P66CHO-RPL	Standard hinge, integrated latch, opaque	6"x6"
P66CHC-RPL	Standard hinge, integrated latch, clear	6"x6"
P66CHOLL-RPL	Standard hinge, hasp latch, opaque	6"x6"
P66CHCLL-RPL	Standard hinge, hasp latch, clear	6"x6"
P66CLPO-RPL	Low profile hinge, integrated latch, opaque	6"x6"
P66CLPC-RPL	Low profile hinge, integrated latch, clear	6"x6"
P66CLPOLL-RPL	Low profile hinge, hasp latch, opaque	6"x6"
P66CLPCLL-RPL	Low profile hinge, hasp latch, clear	6"x6"
P86CHO-RPL	Standard hinge, integrated latch, opaque	8"x6"
P86CHC-RPL	Standard hinge, integrated latch, clear	8"x6"
P86CHOLL-RPL	Standard hinge, hasp latch, opaque	8"x6"
P86CHCLL-RPL	Standard hinge, hasp latch, clear	8"x6"
P86CLPO-RPL	Low profile hinge, integrated latch, opaque	8"x6"
P86CLPC-RPL	Low profile hinge, integrated latch, clear	8"x6"
P86CLPOLL-RPL	Low profile hinge, hasp latch, opaque	8"x6"
P86CLPCLL-RPL	Low profile hinge, hasp latch, clear	8"x6"
P98CHO-RPL	Standard hinge, integrated latch, opaque	9"x8"
P98CHC-RPL	Standard hinge, integrated latch, clear	9"x8"
P108CHO-RPL	Standard hinge, integrated latch, opaque	10"x8"
P108CHC-RPL	Standard hinge, integrated latch, clear	10"x8"
P108CHOLL-RPL	Standard hinge, hasp latch, opaque	10"x8"
P108CHCLL-RPL	Low profile hinge, integrated latch, clear	10"x8"
P108CLPO-RPL	Low profile hinge, integrated latch, opaque	10"x8"
P108CLPC-RPL	Low profile hinge, hasp latch, clear	10"x8"
P108CLPOLL-RPL	Low profile hinge, hasp latch, opaque	10"x8"
P108CLPCLL-RPL	Low profile hinge, hasp latch, clear	10"x8"

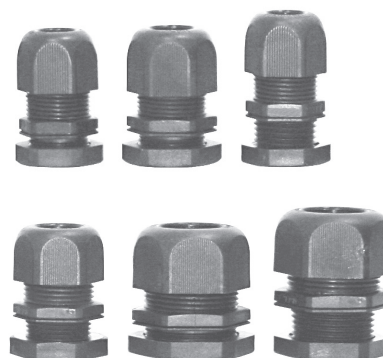


NON-METALLIC ENCLOSURES

PRO SERIES ACCESSORIES

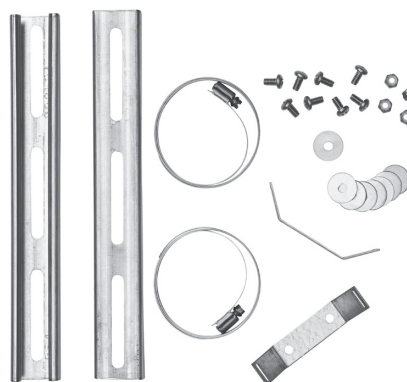
Cord Grips for PRO Series

CORD GRIPS		
CATALOG NUMBER	DESCRIPTION	HOLE DIA.
G-LTF7	PC Hub Cord Grip with Lock Nut (.177-.256)	0.5
G-LTF9	PC Hub Cord Grip with Lock Nut (.197-.315)	0.598
G-LTF11	PC Hub Cord Grip with Lock Nut (.217-.394)	0.732
G-LTF13.5	PC Hub Cord Grip with Lock Nut (.213-.472)	0.803
G-LTF16	PC Hub Cord Grip with Lock Nut (.315-.551)	0.886
G-LTF21	PC Hub Cord Grip with Lock Nut (.472-.709)	1.114
G-LTF29	PC Hub Cord Grip with Lock Nut (.669-.984)	1.456
G-NPT3/8	NPT Cord Grip with Lock Nut (.197-.315)	0.688
G-NPT1/2	NPT Cord Grip with Lock Nut (.236-.472)	0.875
G-NPT3/4	NPT Cord Grip with Lock Nut (.433-.709)	1.094
G-NPT1	NPT Cord Grip with Lock Nut (.669-.984)	0.456



Pole Mounting Kits

POLE MOUNTING	
CATALOG NUMBER	DESCRIPTION
PMKG-26-IMP	For 6" Enclosure -2" pole
PMKG-28-IMP	For 8" Enclosure -2" pole
PMKG-36-IMP	For 6" Enclosure -3" pole
PMKG-38-IMP	For 8" Enclosure -3" pole
PMKG-46-IMP	For 6" Enclosure - 4" pole
PMKG-48-IMP	For 8" Enclosure - 4" pole
PMKG-128-IMP	For 8" Enclosure - 10 to 12" pole
CAMKG-610-IMP	6" Cross Arm Pole Mount Kit for P9082



Miscellaneous Accessories

MISC. ACCESSORIES FOR ELITE SERIES	
CATALOG NUMBER	DESCRIPTION
DIN6-IMP	DIN Rail Kit 6" (2 rails, 4 tapping screws)
DIN8-IMP	DIN Rail Kit 8" (2 rails, 4 tapping screws)
SP-21-SP-IMP	P9082 (C) Switch Plate
SP-8	Screw Pack (10 pcs) (For Impact line except P9082(C) bosses)
SP-10I	Screw Pack (10 pcs) (For Impact P9082(C) bosses)
SOPK66/86-IMP	2 Ridget Brackets, 1 Pivot Bracket & 8 Self-Tapping Screws
ASWPK66-IMP	Complete Aluminum Swing Panel Kit, includes SOPK-IMP
ASWPK86-IMP	Complete Aluminum Swing Panel Kit, includes SOPK-IMP
ABP-108USP/USOPK	Universal Swing Panel Kit for 10x8
ASWP66-IMP	Aluminum Swing Panel for Impact 6"x6" Enclosure
ASWP86-IMP	Aluminum Swing Panel for Impact 8"x6" Enclosure
AFPK66-IMP	Complete Face Plate Kit, includes Aluminum Plate and SOPK-IMP
AFPK86-IMP	Complete Face Plate Kit, includes Aluminum Plate and SOPK-IMP
AFP66-IMP	Aluminum face plate for 6"x6" Enclosure
AFP86-IMP	Aluminum face plate for 8"x6" Enclosure