

# NEMA TYPE 4X JIC

## JN4XHSS Series

# Continuous Hinge Clamped Cover Enclosure

Adalet's JN4X series enclosures are available in Type 304 and 316L stainless steel with a brushed finish. The enclosure has continuously welded seams ground to a smooth finish. It also comes complete with four 10-32 weld nuts (for mounting optional panels). Grounding studs are provided on the inside of the box and door. Wall mounting back brackets are welded on the top and bottom outside. The JN4XHSS cover is sealed with a one-piece neoprene gasket and is secured to the enclosure with a continuous stainless steel piano hinge on one side and stainless steel door clamping hardware on three sides. There are no knock-outs or holes in the cover or body. A hardware kit is included.

### STANDARD FEATURES

- Continuous hinge (removable hinge pin)
- Wall mounting flange / feet
- Watertight urethane gasket
- Stainless steel clamps and screws
- Four #10-32 weld nuts for optional mounting panel
- Grounding studs on inside of box and cover

### DESIGN OPTIONS

- Painted steel and stainless steel mounting panels
- Laser cut entries or cut-outs
- Terminal blocks or other component assembly
- Swing panel / dead front panel
- Padlock provisions
- Quick release latches
- Epoxy paint or powder coating
- Custom sizes
- 12 gauge material thickness

### MATERIAL

- 12 and 14 gauge / Type 304 or 316L stainless steel
- Stainless steel hardware
- #3 / #4 brushed finish



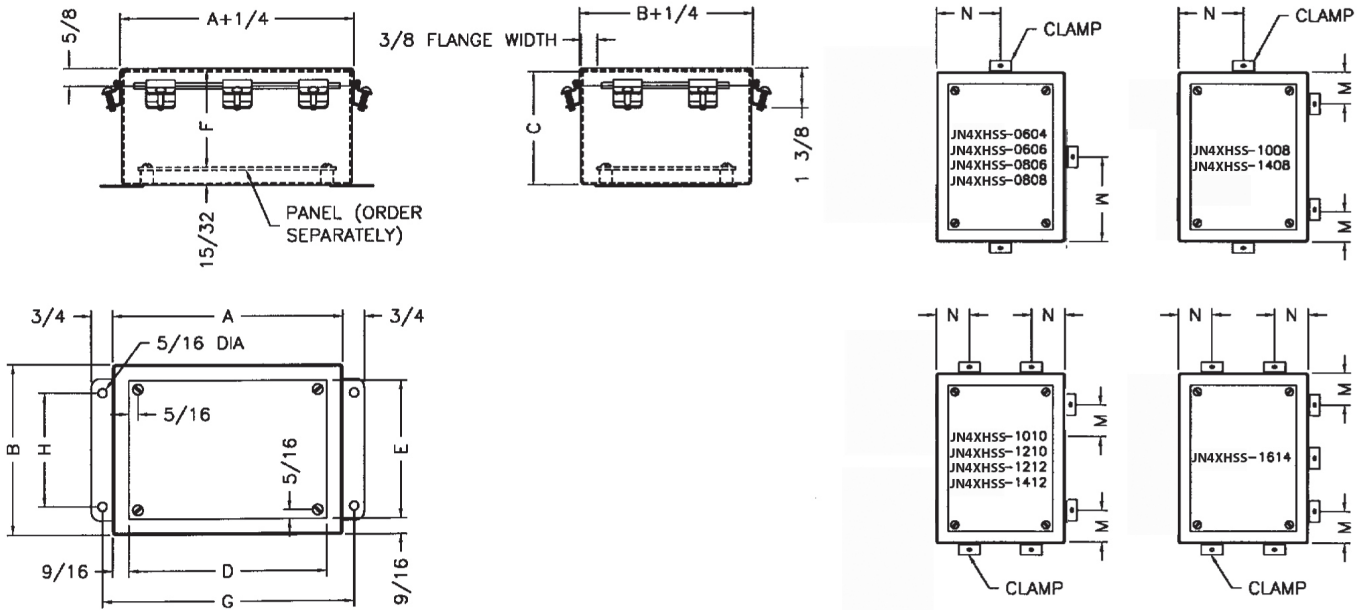
### CERTIFICATIONS

NEMA Type 3, 3R, 4, 4X, 12 & 13  
UL50  
cULus Listed



# NEMA TYPE 4X JIC

STAINLESS STEEL ENCLOSURES



### STAINLESS STEEL 304 or 316L

#### JN4X-JIC Wallmount, Single Door Enclosure - Continuous Hinge / Clamped Cover / Mounting Tabs

CAT. NUMBER	GAUGE	OUTSIDE DIM.			MOUNTING		CLAMPS		CLAMP QTY	SHIPPING WT. (LBS)	PANEL PART NO.	PANEL DIMENSIONS		
		A	B	C	G	H	M	N				D	E	F
JN4XHSS-060403	16	6	4	3	6.75	2.00	3.00	2.00	3	3.2	06P04	4.88	2.88	2.55
JN4XHSS-060404	16	6	4	4	6.75	2.00	3.00	2.00	3	3.5	06P04	6.88	4.88	3.55
JN4XHSS-060604	16	6	6	4	6.75	4.00	3.00	3.00	3	4.5	06P06	4.88	2.88	3.55
JN4XHSS-080604	14	8	6	4	8.75	4.00	4.00	3.00	3	5.3	08P06	4.88	4.88	3.55
JN4XHSS-080804	14	8	8	4	8.75	6.00	4.00	4.00	3	6.2	08P08	6.88	6.88	3.55
JN4XHSS-100804	14	10	8	4	10.75	6.00	1.63	4.00	4	8.7	10P08	6.88	6.88	3.55
JN4XHSS-121005	14	12	10	5	12.75	8.00	3.63	2.63	6	13	12P10	8.88	6.88	4.55
JN4XHSS-080606	14	8	6	6	8.75	4.00	4.00	3.00	3	6.2	08P06	10.88	8.88	5.55
JN4XHSS-080806	14	8	8	6	8.75	6.00	4.00	4.00	3	20	08P08	6.88	6.88	5.55
JN4XHSS-100806	14	10	8	6	10.75	6.00	1.63	4.00	4	11.2	10P08	8.88	6.88	5.55
JN4XHSS-101006	14	10	10	6	10.75	8.00	1.63	2.63	6	13.5	10P10	8.88	8.88	5.55
JN4XHSS-121006	14	12	10	6	12.75	8.00	3.63	2.63	6	15	12P10	10.88	8.88	5.55
JN4XHSS-121206	14	12	12	6	12.75	10.00	3.63	3.00	6	17.5	12P12	10.88	10.88	5.55
JN4XHSS-140806	14	14	8	6	14.75	6.00	3.63	4.00	4	17.7	14P08	12.88	6.88	5.55
JN4XHSS-141206	14	14	12	6	14.75	10.00	3.63	3.00	6	18.1	14P12	12.88	10.88	5.55
JN4XHSS-161406	14	16	14	6	16.75	12.00	1.63	4.13	7	22.1	16P14	14.88	12.88	5.55
JN4XHSS-121008	14	12	10	8	12.75	8.00	3.63	2.63	6	21.8	12P10	10.88	8.88	7.55
JN4XHSS-141208	14	14	12	8	14.75	10.00	3.63	4.13	6	19.1	14P12	12.88	10.88	7.55
JN4XHSS-161408	14	16	14	8	16.75	12.00	1.63	4.13	7	26.7	16P14	14.88	12.88	7.55
JN4XHSS-161410	14	16	14	10	16.75	12.00	1.63	4.13	7	27.1	16P14	14.88	12.88	9.55
JN4XHSS-202010	14	20	20	10	20.75	18.00	3.63	3.63	9	48	20P20	18.88	18.88	9.55

**NOTE** For Type 316L stainless steel enclosures, add 6 after SS. (i.e. JN4XHSS6)

Measurements in inches

\* All JN4XHSS6 316L boxes and covers are 14 gauge

SEND ORDERS TO [ORDERS@ADALET.COM](mailto:ORDERS@ADALET.COM)

T: 216.267.9000 | F: 216.267.1681 | [info@adalet.com](mailto:info@adalet.com)

©Adalet