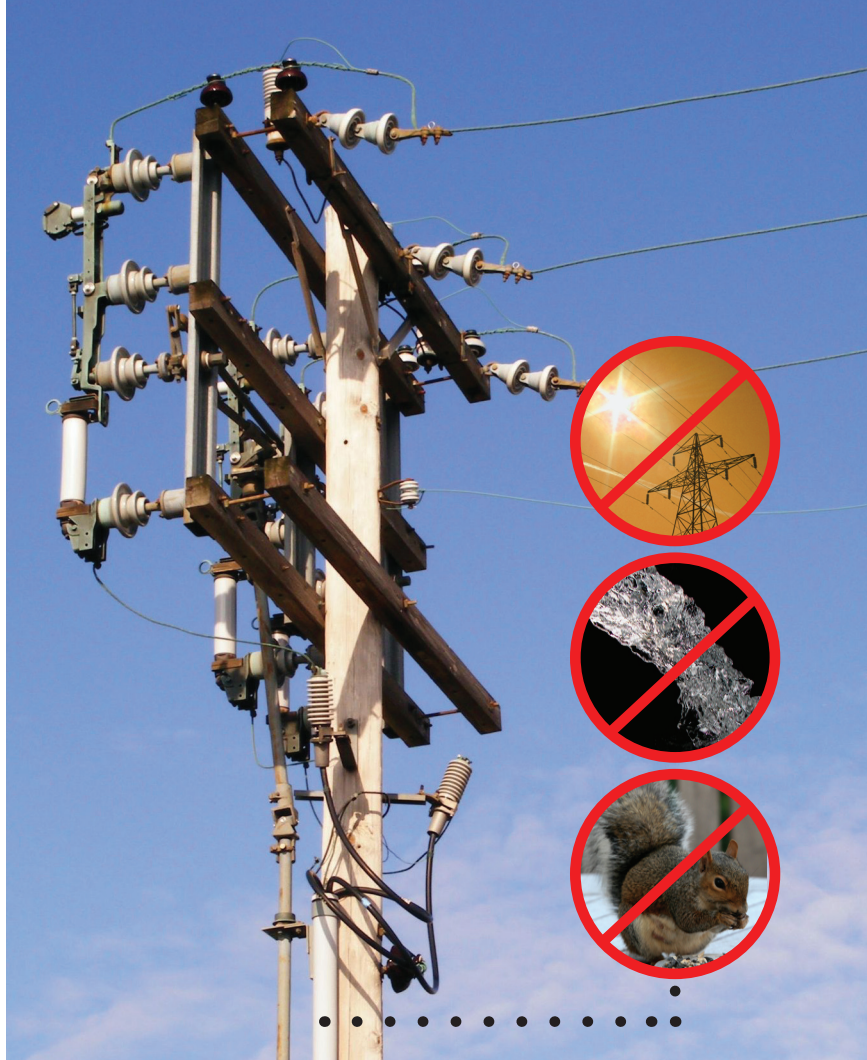


HEAT. RAIN. PEST.

FUNNY HOW MOST CONDUIT PROBLEMS CAN BE EXPRESSED BY A FOUR LETTER WORD.



VENTILATOR ADVANTAGES

- **PROTECTION FROM ELEMENTS**
Keep external elements away from cables to maximize service life and load carrying ability.
- **ULTIMATE AIR FLOW**
When used in combination, our BCV & CV / CVS products allow for airflow along the entire conduit section which minimizes over-heating issues.

ADALET
A SCOTT FETZER COMPANY



CONDUIT TECHNOLOGY SOLUTIONS THAT SAVE TIME, MONEY AND EFFICIENCY

Temperature extremes, along with rodents, can cause costly damage to conduit and cabling. Adalet-PLM's line of conduit ventilating cable supports and conduit ventilators are simple, low-cost devices that improve the service life and load-carrying capacity of cable within conduit risers. Easy to install, they protect the cable from water, rodents and other limiting factors while allowing ample circulation to cool the conduit.

Rodent Control

Rodents such as squirrels, chipmunks and mice can cause catastrophic damage to your cable if they can access it. The tops of conduit risers provide an easy entry path for these rodents. Adalet-PLM's CV/CSV fittings incorporate a neoprene packing gland that compresses against the cable where it exits the conduit riser – providing a weather and pest-resistant sealant.

Temperature Extremes

Depending on the conduit material, inside temperatures can escalate well above ambient when exposed to direct sunlight. This extra heat can cause the cable to have a reduced load-carrying capacity and shorten service life. In still air, temperature at the top of a conduit riser is decreased while using conduit ventilators. Even greater cooling capacity can be expected in moving air.

Adalet-PLM's conduit ventilating cable supports incorporate three unique designs to allow air to enter and circulate throughout the conduit riser, cooling the cable inside. The CV and CVS fittings are mounted to the top of the conduit and permit the escape of heated air. Pair either of these up with the BCV fitting, which mounts at the bottom of the conduit, for increased air intake.

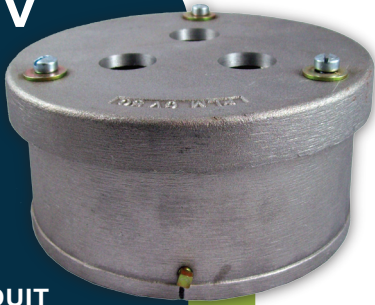
4801 W. 150th
CLEVELAND, OH 44135

WWW.ADALET.COM

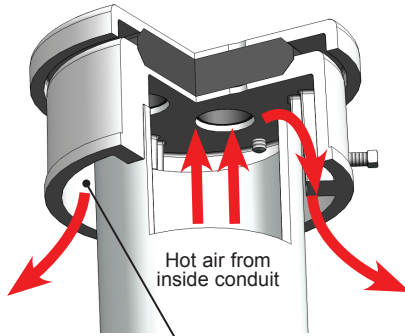
216.267.9000 ext. 202TEL
216.267.1681 FAX

Perfect for new installations

CV



CONDUIT VENTILATING CABLE SUPPORT



Hot air from inside conduit
Airflow channels allow hot air to escape at the top of the conduit.

FEATURES

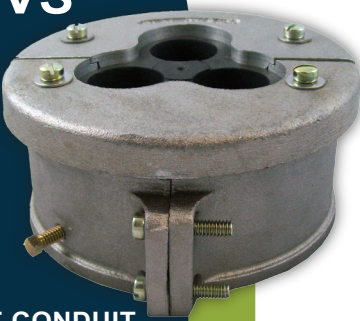
- Helps reduce temperatures in conduit, improving service life and load carrying capacity of the cable
- Neoprene gasket provides watertight seal and cable support
- Set screws secure the ventilator to conduit
- For supporting and sealing cable risers and allowing escape of heated air from conduit
- Type CV Supports are designed for use at top of conduit where cable extends into air

Catalog Number	Conduit Size	Max Cable O.D.	
		One Hole	Three Hole *
CV20	2	1.60	.74
CV25	2 ½	1.91	.93
CV30	3	2.37	1.19
CV35	3 ½	2.75	1.41
CV40	4	3.12	1.63
CV50	5	3.82	2.13
CV60	6	4.42	2.55

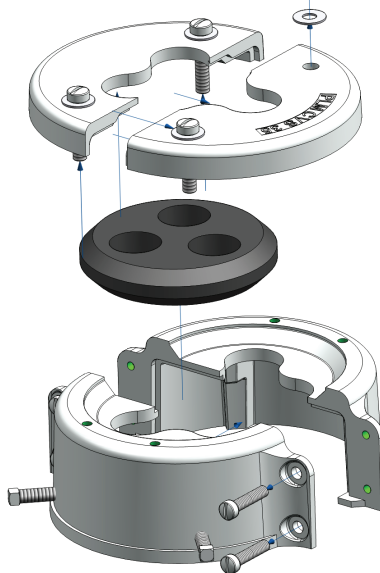
* Additional holes can be supplied - consult factory.

Designed for retro-fitting existing installations

CVS



SPLIT CONDUIT VENTILATING CABLE SUPPORT



FEATURES

- Used where existing XLP or EPR cables are installed in conduit
- Split to permit installation after cable has been pulled or where cable extends some distance from ventilator mounting
- Neoprene gasket provides watertight seal. Gasket slit to allow installation.

Catalog Number	Conduit Size	Max Cable O.D.	
		One Hole	Three Hole *
CVS 20	2	1.50	.54
CVS 25	2 ½	1.80	.75
CVS 30	3	2.23	1.00
CVS 35	3 ½	2.60	1.25
CVS 40	4	2.92	1.44
CVS 50	5	3.68	2.87
CVS 60	6	4.42	2.18

* Additional hole can be supplied - consult factory.

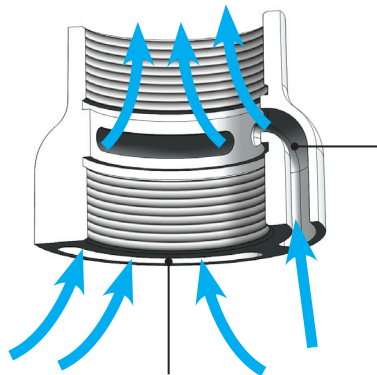
Perfect for new or retro-fit installations

BCV



BOTTOM CONDUIT VENTILATOR

BCV can be used in conjunction with CV or CVS fittings for optimal air circulation



Airflow channels draw in cool air to move up conduit.

FEATURES

- Used in conduit system to allow air to enter conduit riser
- Castings are aluminum, anodized and Teflon sealed for maximum corrosion resistance
- Helps reduce temperature in conduit riser, improving service life and load carrying capacity of the cable

Catalog Number	Conduit Size
BCV 20	2
BCV 25	2 ½
BCV 30	3
BCV 35	3 ½
BCV 40	4
BCV 50	5
BCV 60	6