

XIF: Explosionproof Junction Boxes
XIFX: Flameproof Junction Boxes
XIFC: Explosionproof Control Enclosures
XIFCX: Flameproof Control Enclosures

DESIGN OPTIONS**Mounting Panels**

- Steel: (XSM) Galvanized 12 gauge steel plate. The catalog number includes the steel mounting pan complete with 1/4" high spacers and stainless steel mounting screws.
- Aluminum: (XSA) consult factory for availability.

Auxiliary Operator Installations

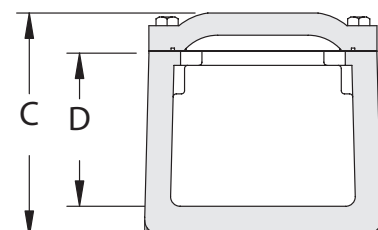
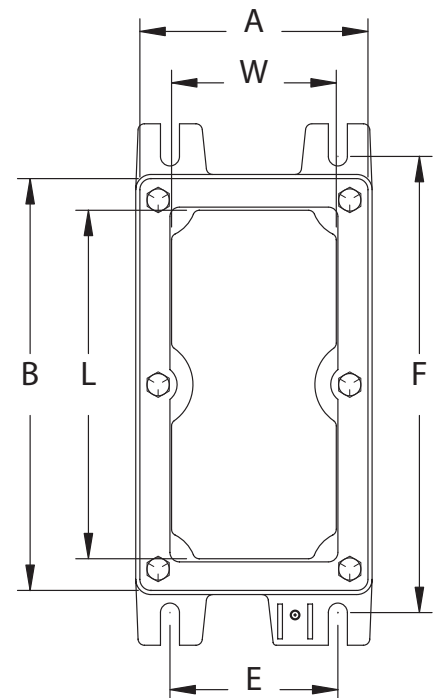
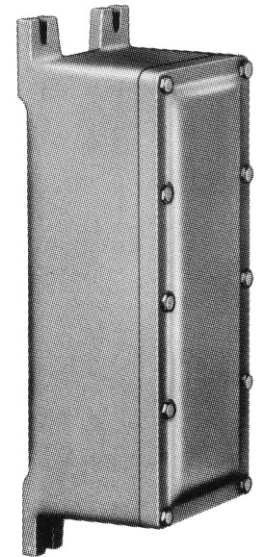
Available in XIFC and XIFCX covers

External Earthing Device

Supplied on XIFX and XIFCX

Gasket for Type 4 applications available for XIF and XIFC

NOTE: Where reference is made to Class I and Class II hazardous locations, the equipment is suitable for both Div. 1 and Div. 2 locations.



Certifications

XIF: Junction Boxes

CERTIFICATIONS

Class I, Division 1, Groups C & D
 Class II, Groups E, F, G
 NEMA Type 4, 7, 9



LISTED 4375



XIFX: Flameproof Junction Boxes

CERTIFICATIONS

Class I, Division 1, Groups C & D Ex d IIB
 Class II, Groups E, F, G
 Class III
 Class I, Zone 1, Aex d IIB
 Ex d IIB
 IECEx Ex d IIB

IEC60529: IP 40
 IECEx UL.08.0011U

Ex d IIB T6; T5: $-20^{\circ} < T_a < 55^{\circ} C$
 DEMKO 07 ATEX 0603868U

II 2GD



XIFC: Explosionproof Control Enclosures

CERTIFICATIONS

Class I, Division 1, Groups C & D
 Class II, Groups E, F, G
 NEMA Type 4, 7, 9



XIFCX: Flameproof Control Enclosures

CERTIFICATIONS

Class I, Division 1, Groups C & D
 Class II, Groups E, F, G
 Class III
 Class I, Zone 1, AEx d IIB
 Ex d IIB T6 (T5 Tamb +55°C)
 IECEx Ex d IIB T6 (T5 Tamb +55°C)
 IECEx UL 08.0023X
 IP 40

Ex d IIB T5 +55°C
 0539 Ex II 2 G
 DEMKO 09 ATEX 0816570X

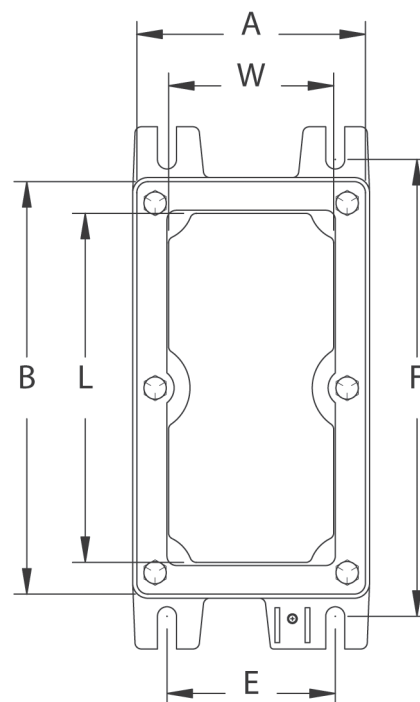
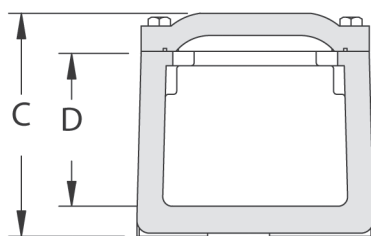


XIF: Explosionproof Junction Boxes

XIFX: Flameproof Junction Boxes

XIFC: Explosionproof Control Enclosures

XIFCX: Flameproof Control Enclosures



EXPLOSIONPROOF ENCLOSURES

XIF Series																
XIFC / XIFCX CAT. NUMBER	XIF / XIFX CAT. NUMBER	INSIDE NOM. DIM.			OVERALL DIM.			MTG LUG		MTG BOLT SIZE	SHIPPING WT. (LBS)	PANEL PART NO.			PANEL DIM.	
		W	L	D	A	B	C	E	F			W	L			
XIFC/X030303	XIF/X030303	3 5/16	3 5/16	3 3/16	4 1/2	4 1/2	4 5/16	3 1/4	5 1/2	5/16	5	XSM0303	XSA0303	XSB0303	3	3
XIFC/X030603	XIF/X030603	3 1/4	5 3/4	3	4 1/2	7 1/16	4 1/4	3 1/4	8	5/16	6 1/2	XSM0306	XSA0306	XSB0306	3	5 1/2
XIFC/X030703	XIF/X030703	3 1/4	6 7/8	3	4 1/2	8 1/8	4 5/16	3 3/16	9	5/16	7 1/2	XSM0307	XSA0307	XSB0307	3	6 1/2
XIFC/X030903	XIF/X030903	3 11/32	8 15/16	3	4 1/2	10 1/16	4 5/16	3 1/4	11	5/16	9 1/2	XSM0309	XSA0309	XSB0309	3	8 1/2
XIFC/X031103	XIF/X031103	3 1/4	10 15/16	3	4 1/2	12	4 5/16	3 1/4	13	5/16	11	XSM0311	XSA0311	XSB0311	3	10 1/2
XIFC/X031303	XIF/X031303	3 1/4	12 13/16	3	4 1/2	14 1/16	4 5/16	3 1/4	15	5/16	11 1/2	XSM0313	XSA0313	XSB0313	3	12 1/2
XIFC/X031503	XIF/X031503	3 1/4	14 3/4	3 1/16	4 1/2	16	4 5/16	3 1/4	17	5/16	13	XSM0315	XSA0315	XSB0315	3	14 1/2
XIFC/X031803	XIF/X031803	3 1/4	17 3/4	3	4 1/2	19	4 1/4	3 1/4	20	5/16	16	XSM0318	XSA0318	XSB0318	3	17 1/2
XIFC/X032403	XIF/X032403	3 1/4	23 9/16	3	4 1/2	25 1/16	4 5/16	3 1/4	26	5/16	21	XSM0324	XSA0324	XSB0324	3	23 1/2
XIFC/X033003	XIF/X033003	3 1/4	29 1/2	3	4 9/16	31 1/16	4 5/16	3 1/4	32 1/2	5/16	28	XSM0330	XSA0330	XSB0330	3	29
XIFC/X033603	XIF/X033603	3 1/4	35 7/16	3	4 1/2	37 1/4	4 3/8	3 1/4	38 1/8	5/16	33	XSM0336	XSA0336	XSB0336	3	35
XIFC/X040604	XIF/X040604	4 1/8	5 7/8	4	5 3/8	7	5 5/16	4 3/8	8 1/4	5/16	8 1/2	XSM0406	XSA0406	XSB0406	3 7/8	5 1/2
XIFC/X041204	XIF/X041204	4 1/4	11 13/16	4	5 1/2	13 3/8	5 5/16	4 3/8	14 1/4	5/16	15 1/2	XSM0412	XSA0412	XSB0412	3 7/8	11 1/2
XIFC/X060606	XIF/X060606	5 1/2	5 1/2	6	7	7	7 3/8	5 1/2	8 1/2	3/8	14	XSM0606	XSA0606	XSB0606	5 1/2	5 1/2
XIFC/X060608	XIF/X060608	5 1/4	5 1/2	8	7	7	9 3/8	5 1/2	8 1/2	3/8	17 1/2	XSM0606	XSA0606	XSB0606	5 1/2	5 1/2
XIFC/X061206	XIF/X061206	5 1/4	11 1/8	6	7 1/4	13 1/2	7 5/8	5 1/2	15	3/8	28	XSM0612	XSA0612	XSB0612	5 1/2	11 1/2
-	XIF/X061806*	6	18	6	7 1/2	19 1/2	7 13/16	5 1/2	21 1/8	3/8	33	XSM0618	XSA0618	XSB0618	5 5/8	16 7/8
-	XIF/X062406*	6	24	6	7 1/2	25 1/2	7 3/4	5 1/2	27	3/8	59	XSM0624	XSA0624	XSB0624	5 5/8	22 7/8
-	XIF/X063606*	6	36	6	7 1/2	37 1/2	7 13/16	5 1/2	39	3/8	84	XSM0636	XSA0636	XSB0636	5 5/8	34 7/8
XIFC/X070704	XIF/X070704	6 7/8	6 7/8	4	7 15/16	7 15/16	5 5/16	6 5/8	9 1/8	3/8	13	XSM0707	XSA0707	XSB0707	6 1/2	6 1/2
-	XIF/X071603*	7	16	3 1/2	8 1/2	17 1/2	5 5/16	6 1/2	18 7/8	3/8	36	XSM0716	XSA0716	XSB0716	6 1/2	15 1/2
-	XIF/X083206*	8	32	5 7/8	9 1/2	33 1/2	7 7/8	7 1/2	35	3/8	87	XSM0832	XSA0832	XSB0832	7 1/2	31 1/2

* Limited Approvals

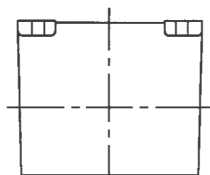
SEND ORDERS TO ORDERS@ADALET.COM

T: 216.267.9000 | F: 216.267.1681 | info@adalet.com

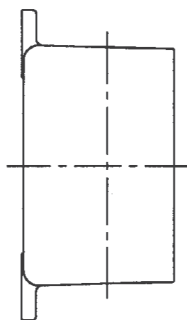
©Adalet

XIF SERIES

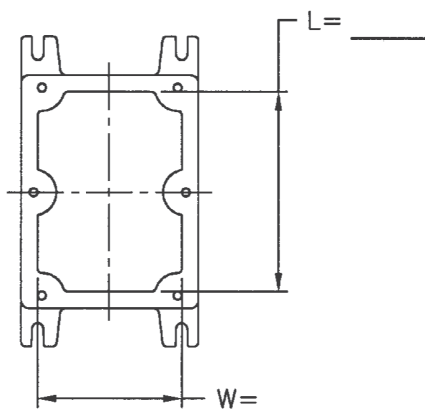
Customer Design Sheets



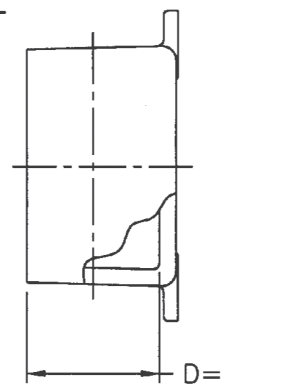
TOP VIEW



LEFT VIEW

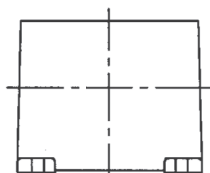


W= _____



D= _____

RIGHT VIEW



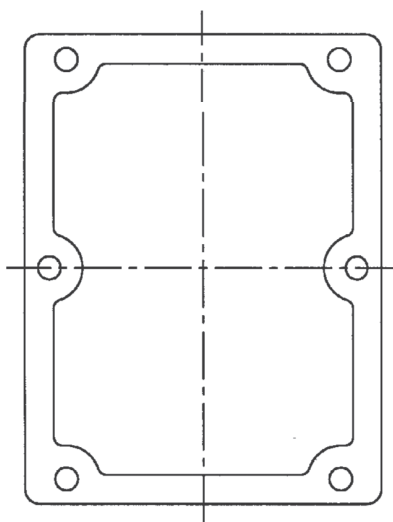
BOTTOM VIEW

BOX LAYOUT

CAT # XIF (C)(X) _____

N4 O RING (XIF (C) Only)

MOUNTING PAN



COVER LAYOUT