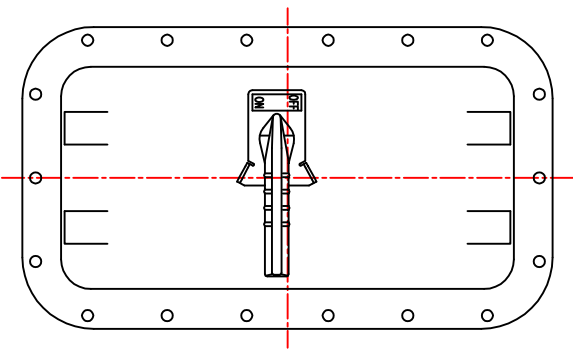
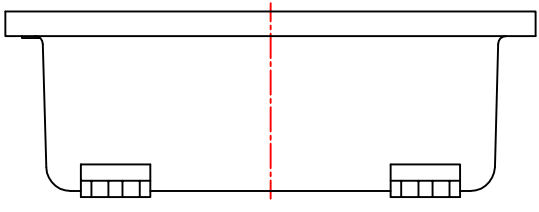
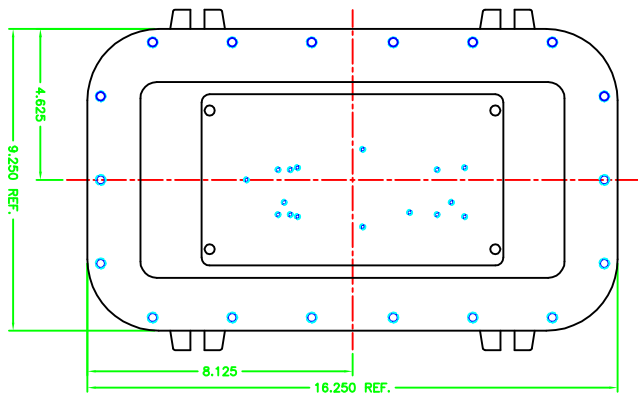
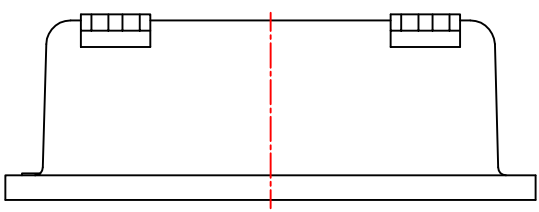
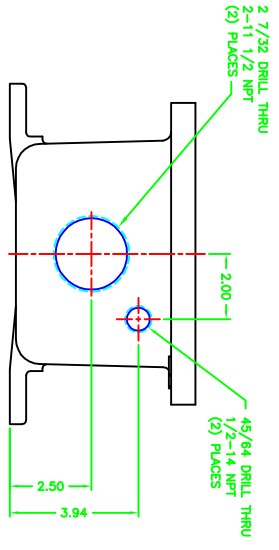


# UNCONTROLLED DRAWING

(DATA SUBJECT TO CHANGE WITHOUT NOTICE)  
 FOR ADDITIONAL HELP CONTACT [ENGINEERING@ADALIST.COM](mailto:ENGINEERING@ADALIST.COM)



## XCBB N4 COVER



		MODIFIED XCBB N4 ENCLOSURE FOR ADDITIONAL SERIES FROM ORIGINAL DRAWING AND NON-USER DISASSEMBLY	
DATE: 12-10-05 TIME: 1:22 USER: D PROJECT: XCBB N4	DRAWN BY: DH CHECKED BY: D APPROVED BY: D	SHEET NO: 10F1	TOTAL SHEETS: 1