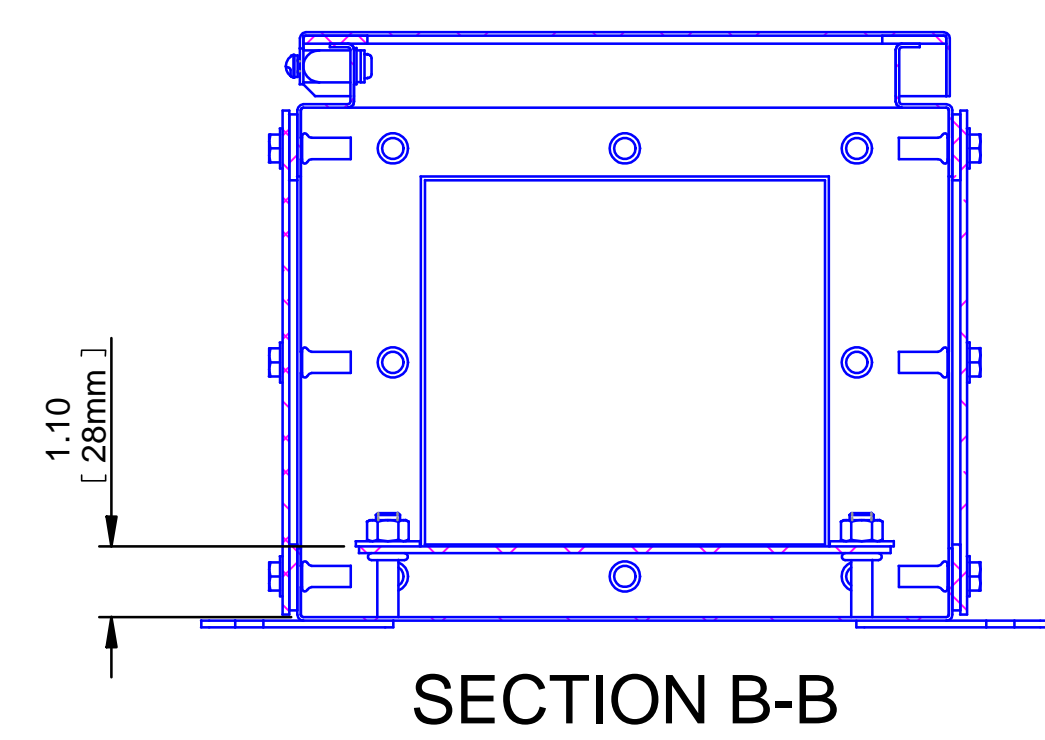
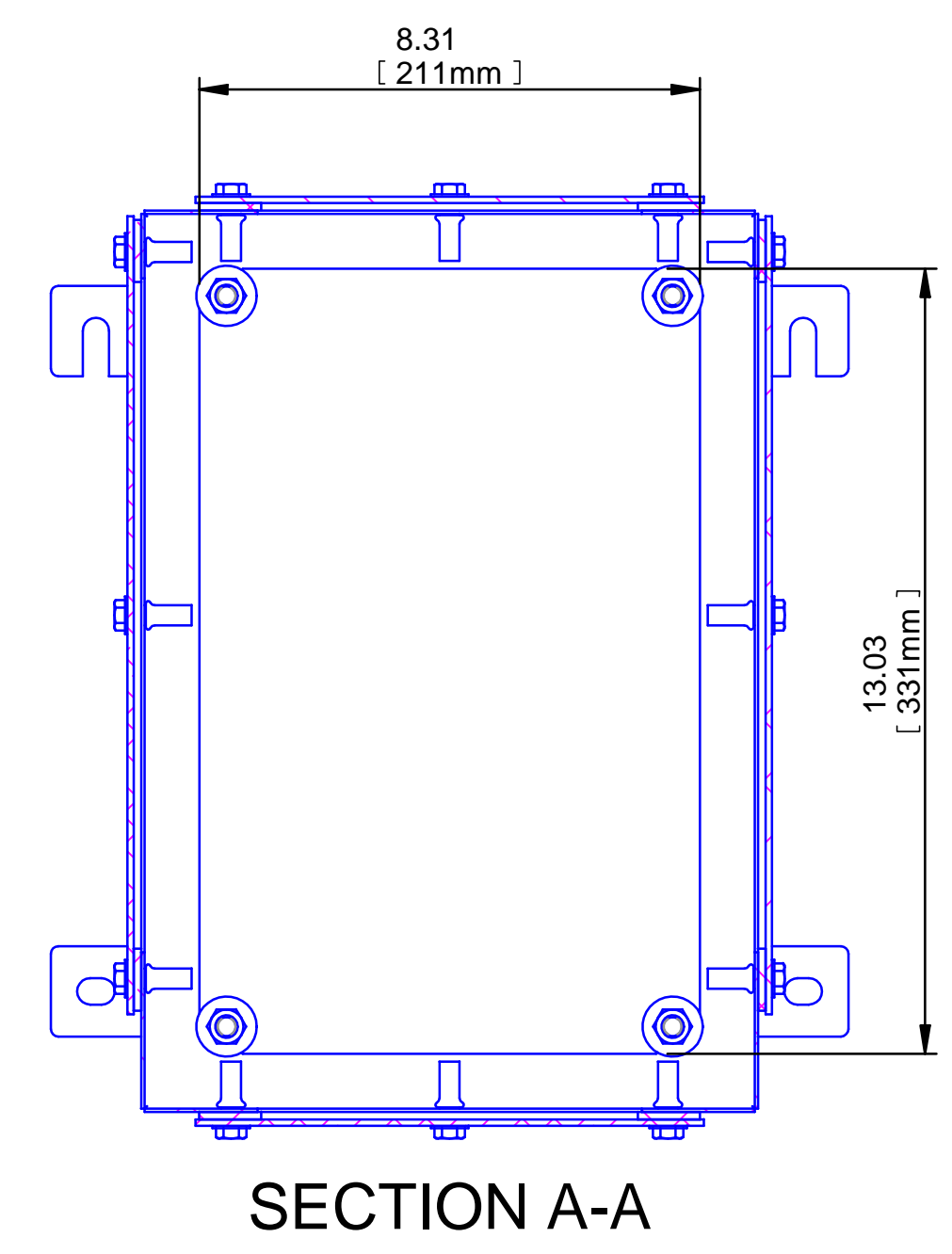
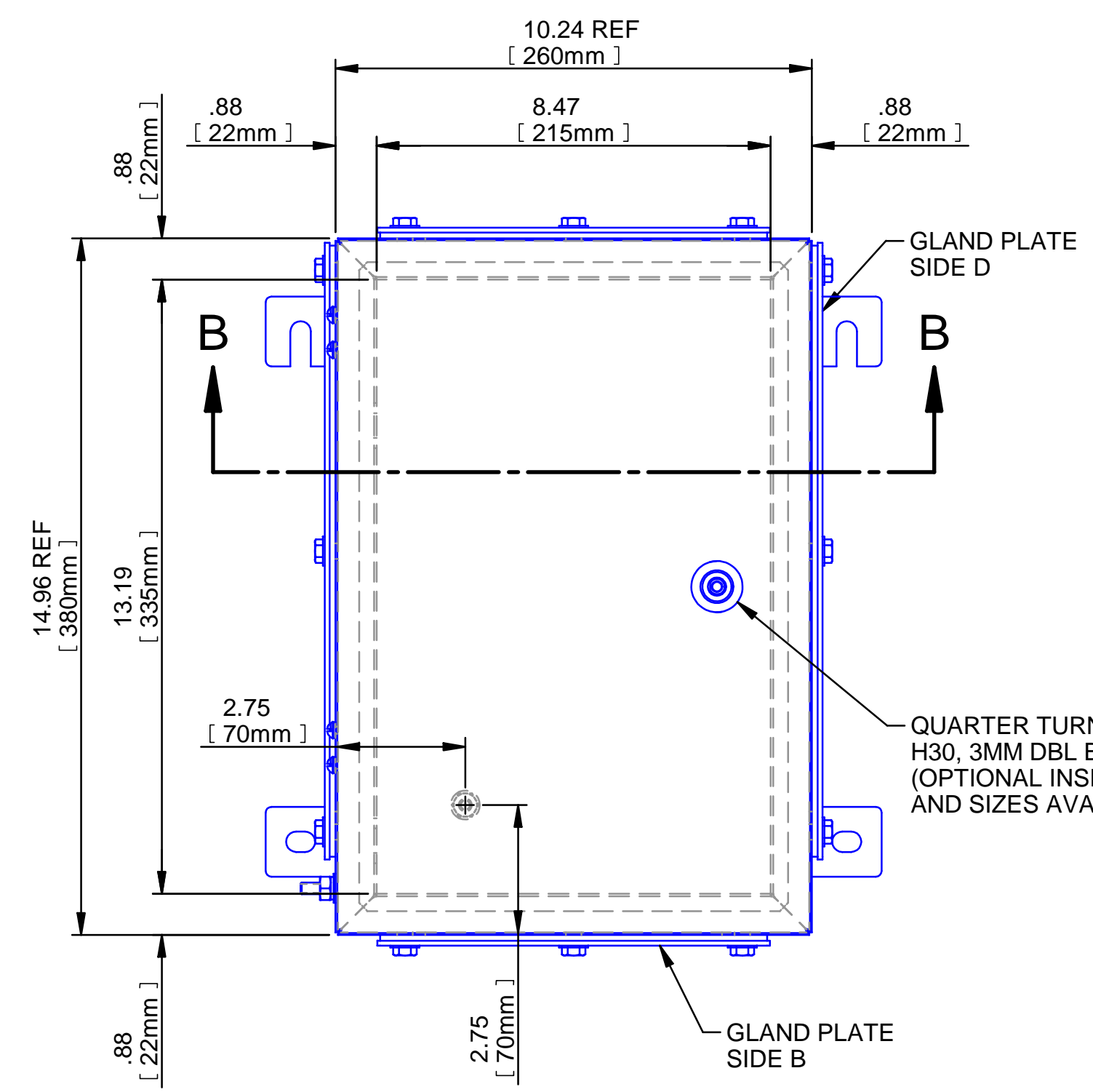
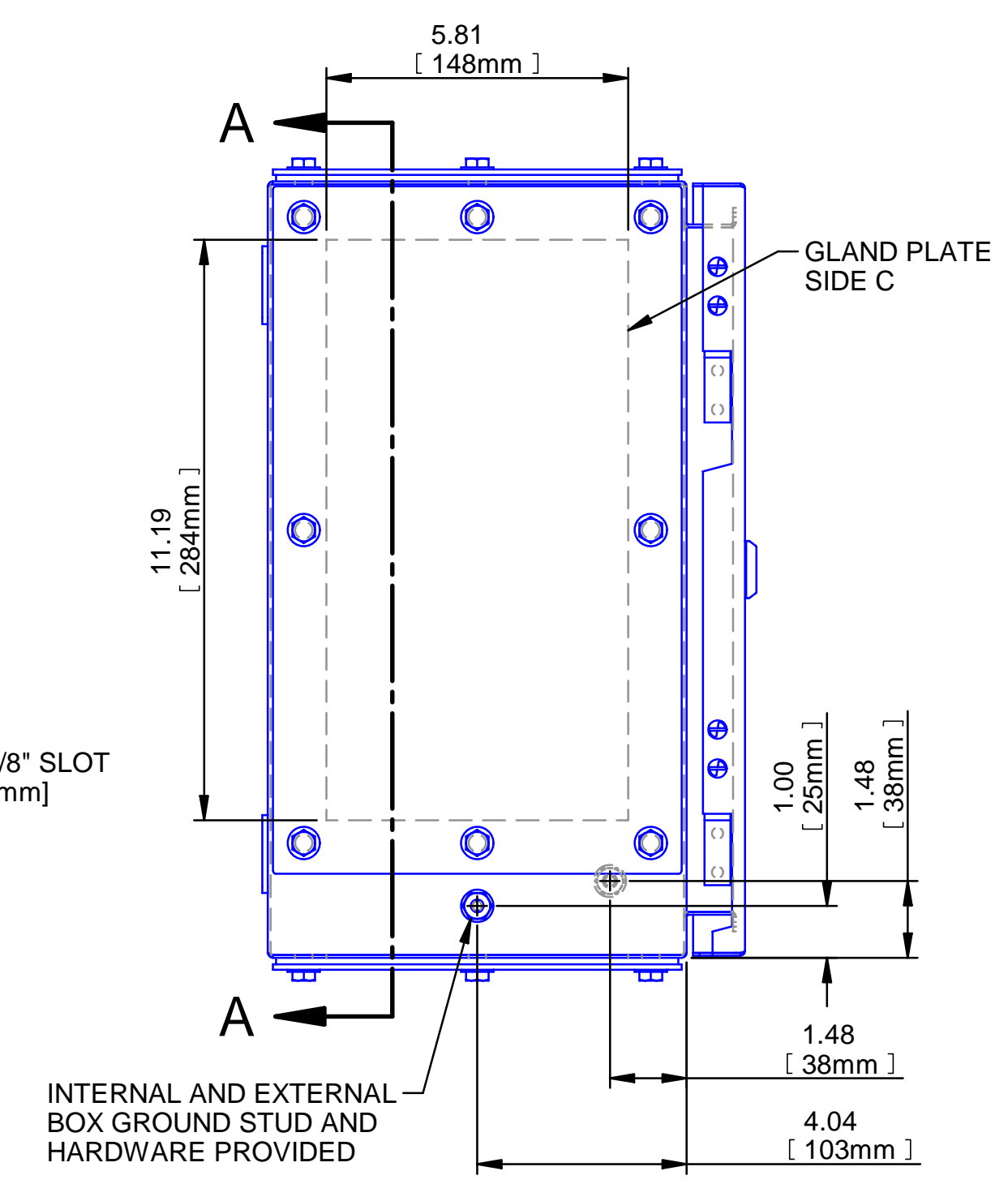
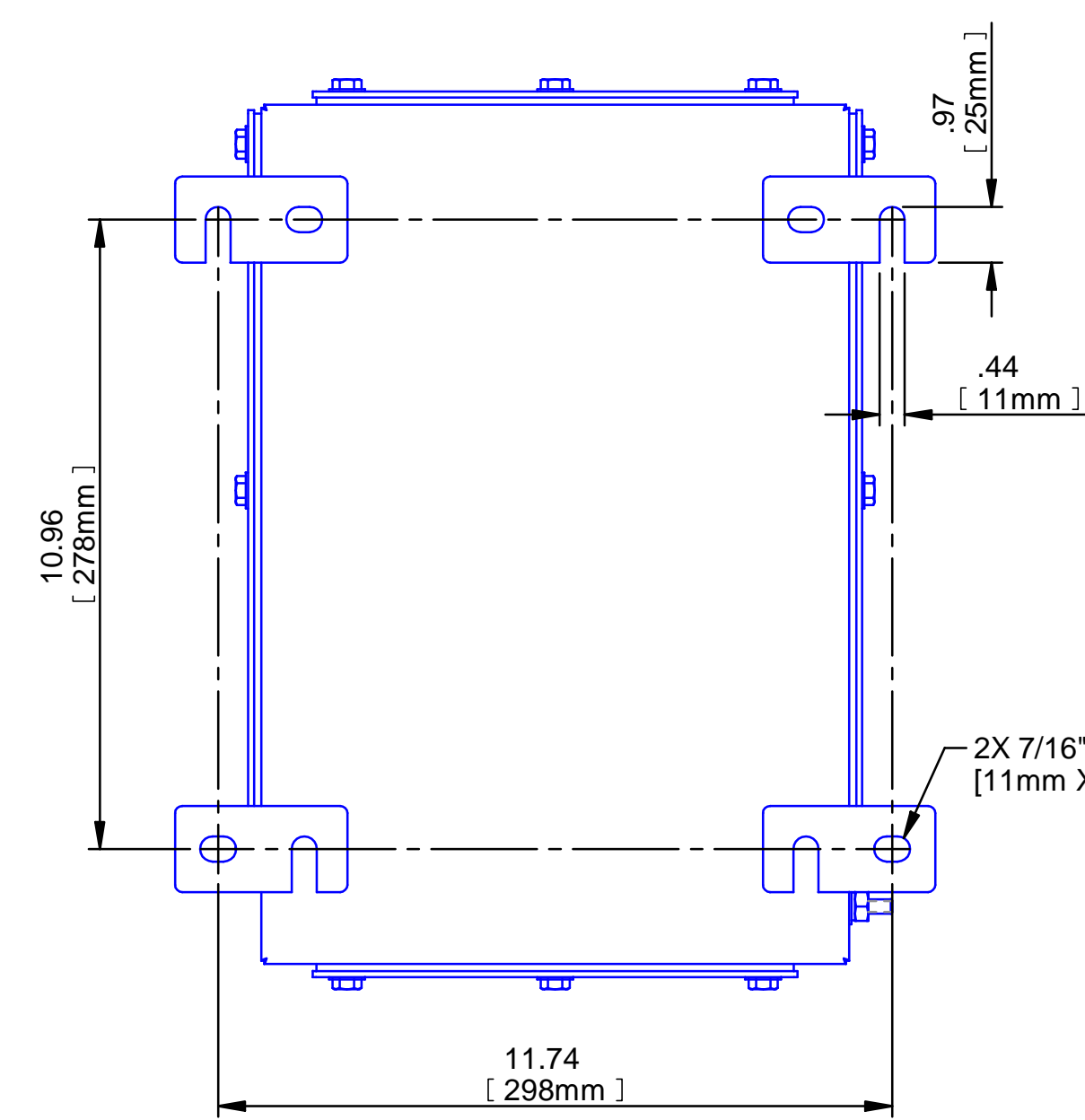
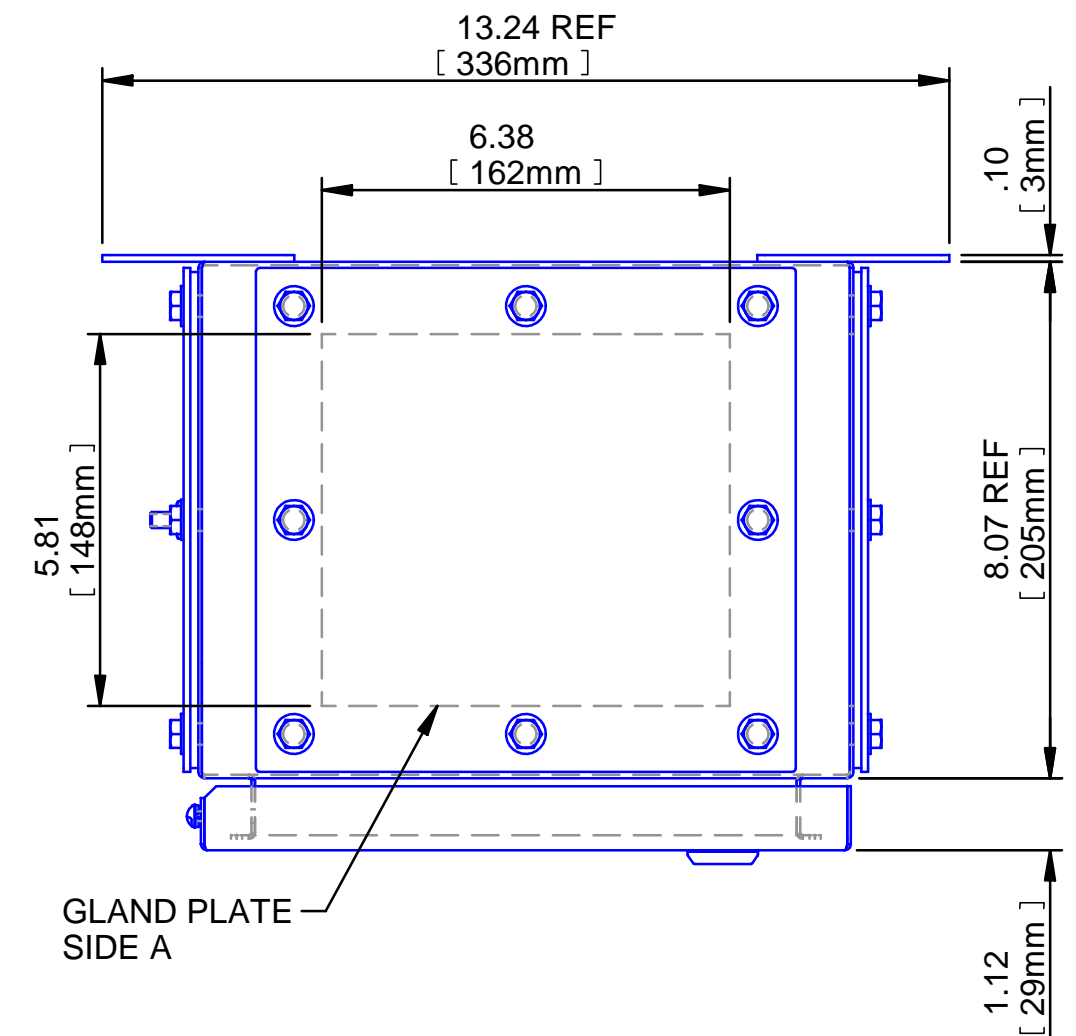
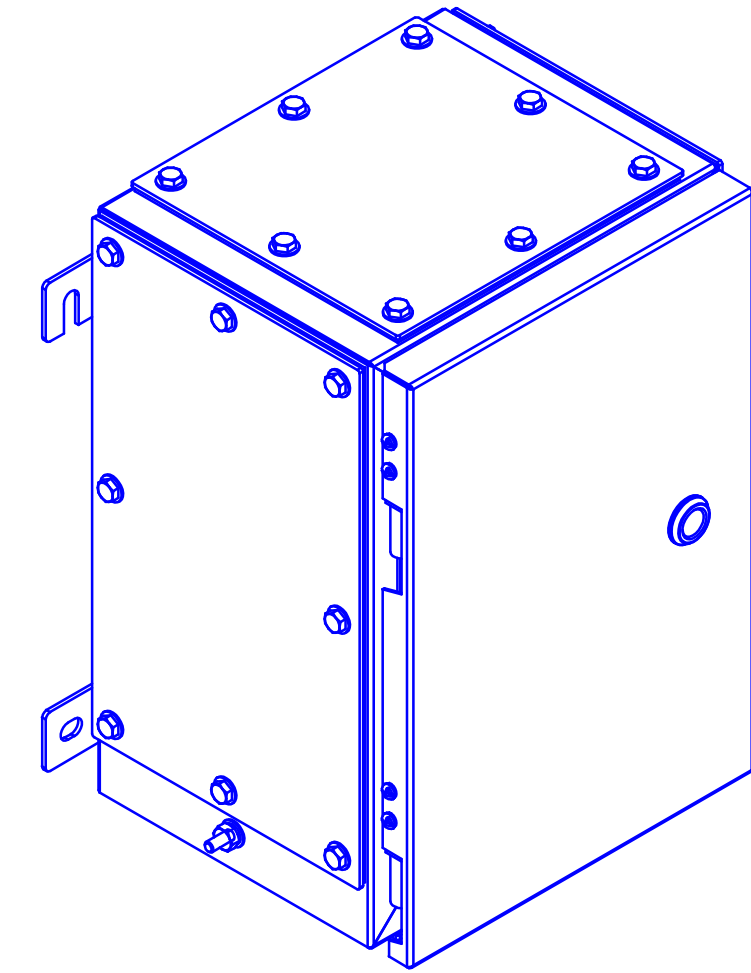


REV	REVISION	BY	ECN	DATE



QUARTER TURN, SS316, H30, 3MM DBL BIT (OPTIONAL INSERT TYPES AND SIZES AVAILABLE)

INTERNAL AND EXTERNAL BOX GROUND STUD AND HARDWARE PROVIDED

UNCONTROLLED DRAWING (DATA SUBJECT TO CHANGE WITHOUT NOTICE)

DO NOT REVISE THIS DWG. IN AUTOCAD 3D GENERATED IN SOLID EDGE

<small>DO NOT SCALE DRAWING</small> <small>UNLESS OTHERWISE SPECIFIED DIMENSIONS ARE IN INCHES</small> <small>CAST TOLERANCES ON DIMENSIONS NOT OTHERWISE SPECIFIED:</small> <small>1/8" STOCK</small> <small>FILLET OR CORNER RADI 1/8"</small> <small>DRAFT 1:12</small> <small>FILLET RADI .03</small> <small>EDGE BREAK .035"-.015" R. or 45°</small> <small>ANGLES ± 0°30'</small> <small>CHAMFERS FOR THREADED HOLES NOT OTHERWISE SPECIFIED:</small> <small>MPT E-21-2.6</small> <small>NPSM E-24-1.0</small>		<b>ADALET</b> <small>A SCOTT FETZER COMPANY</small> <small>Enclosure Systems • Cable Accessories</small> <small>Cleveland, OH 44135</small>		<small>NOTICE TO PERSONS RECEIVING THIS DRAWING:</small> <small>ADALET-PLM CLAIMS PROPRIETARY RIGHTS IN THE MATERIAL DISCLOSED HEREIN. THIS DRAWING IS ISSUED IN CONFIDENCE FOR ENGINEERING INFORMATION ONLY AND MAY NOT BE REPRODUCED OR USED TO MANUFACTURE ANYTHING SHOWN HEREON, WITHOUT DIRECT WRITTEN PERMISSION FROM ADALET-PLM TO THE USER.</small>	
<small>MATERIAL</small> <small>FINISH</small> <small>CAT NO</small>		<small>DATE</small> 12/4/2008 <small>PLLOT SCALE</small> 1=3 <small>DWG SIZE</small> D <small>SHT</small> <small>REV</small>		<small>TITLE</small> <b>VH-382620</b> <b>INCREASED SAFETY ENCLOSURE</b> <b>CUSTOMER OUTLINE DRAWING</b>	
<small>DRAWN BY</small> DMS <small>ENG APPROVAL</small> <small>MFG APPROVAL</small>		<small>DATE</small> 12/4/2008 <small>PLLOT SCALE</small> 1=3 <small>DWG SIZE</small> D <small>SHT</small> <small>REV</small>		<small>TITLE</small> <b>VH-382620</b> <b>INCREASED SAFETY ENCLOSURE</b> <b>CUSTOMER OUTLINE DRAWING</b>	