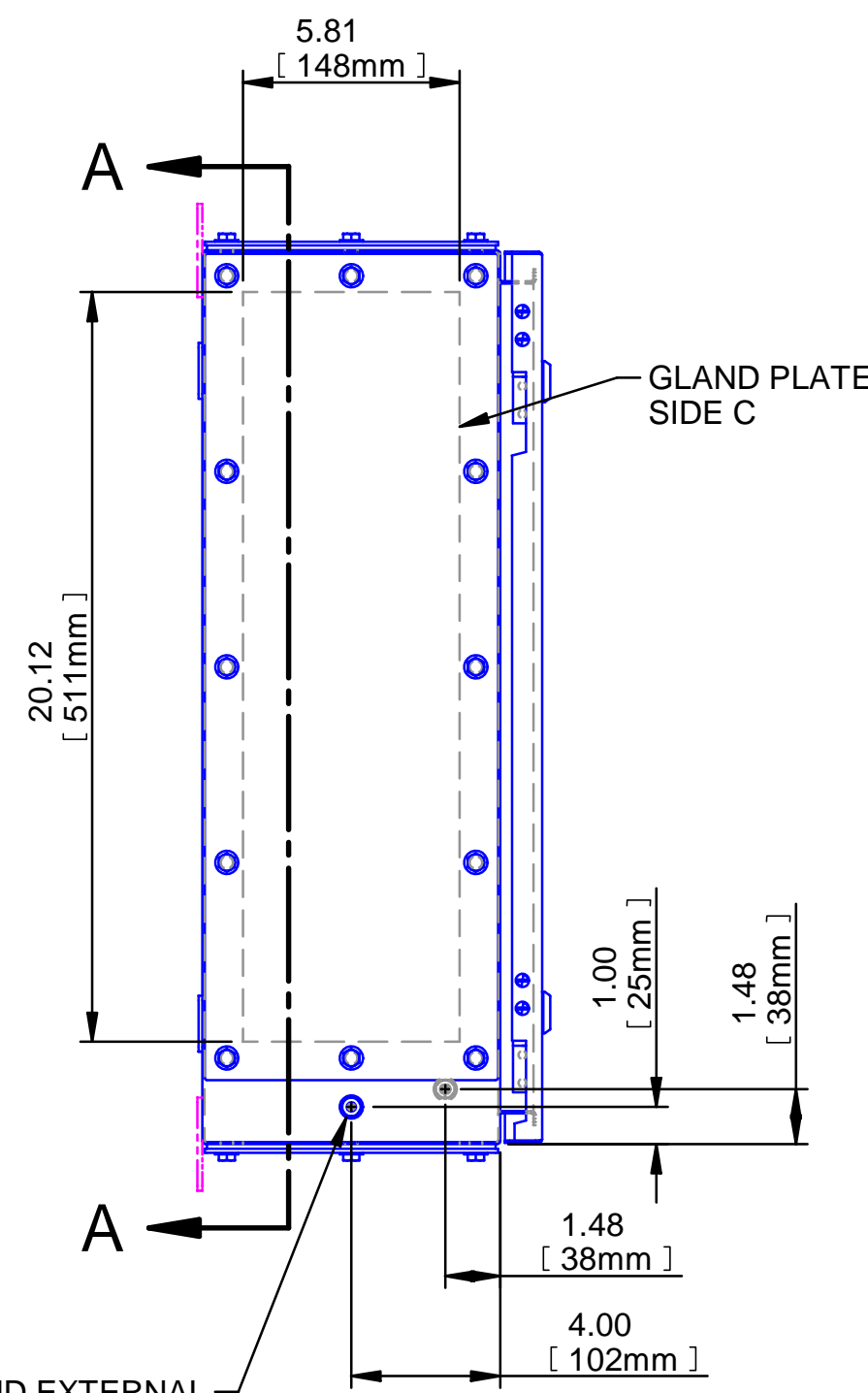
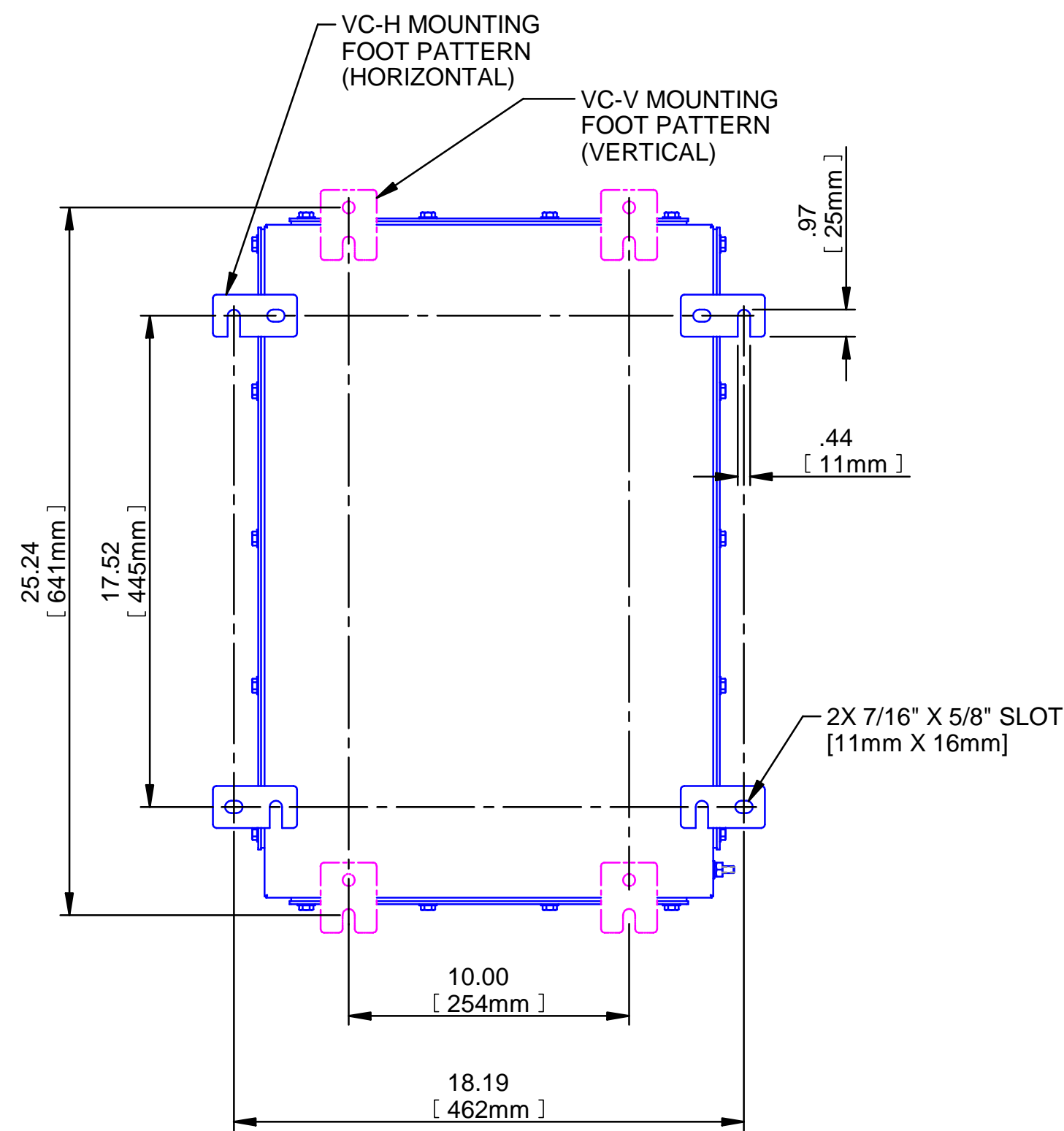
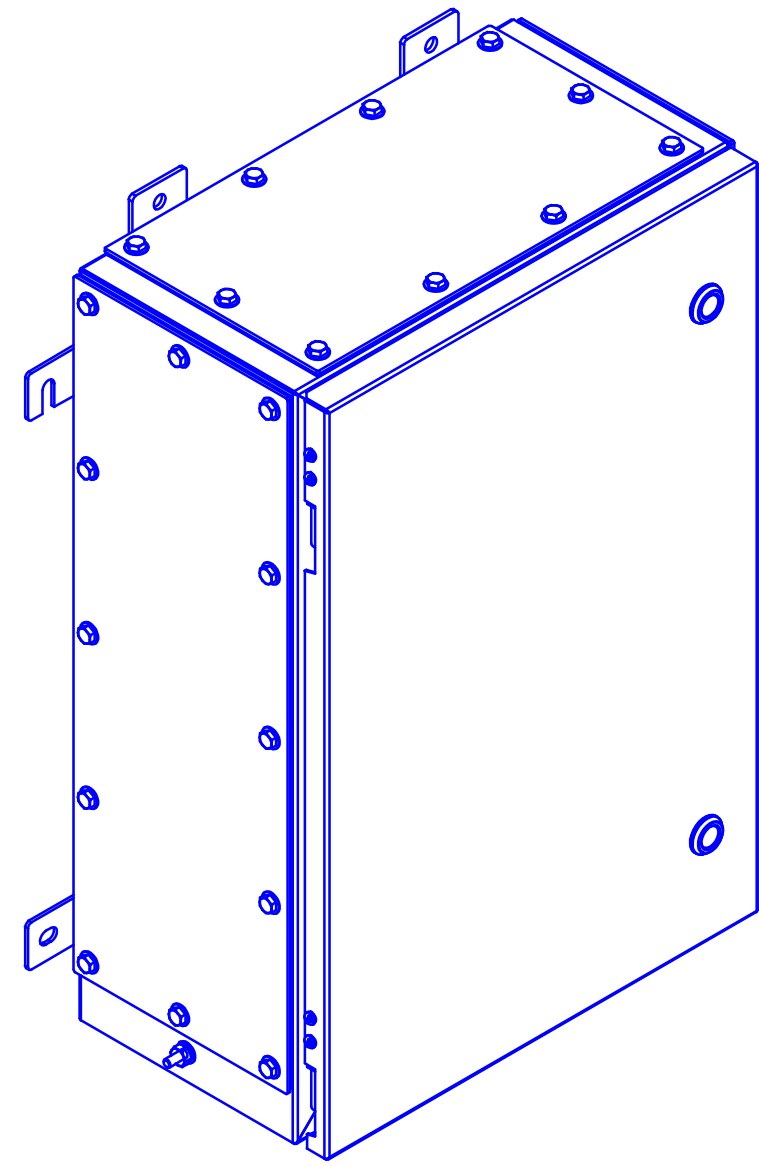
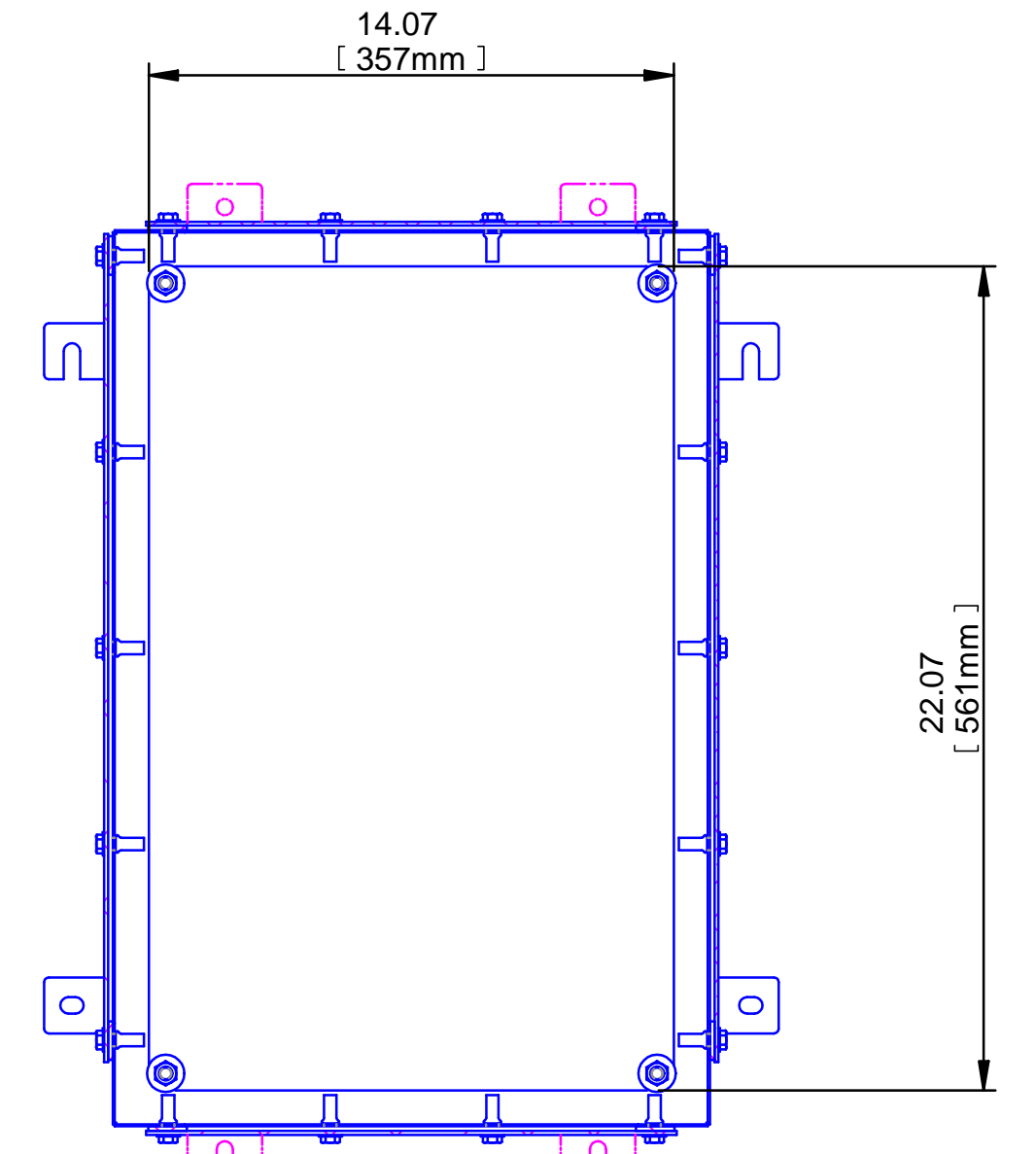
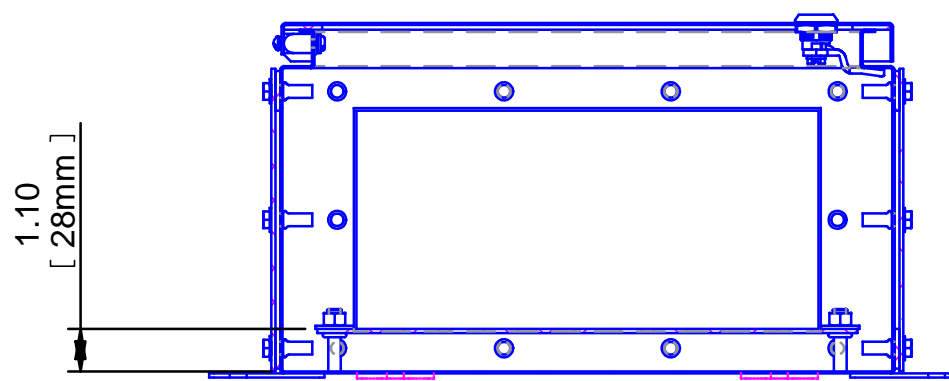
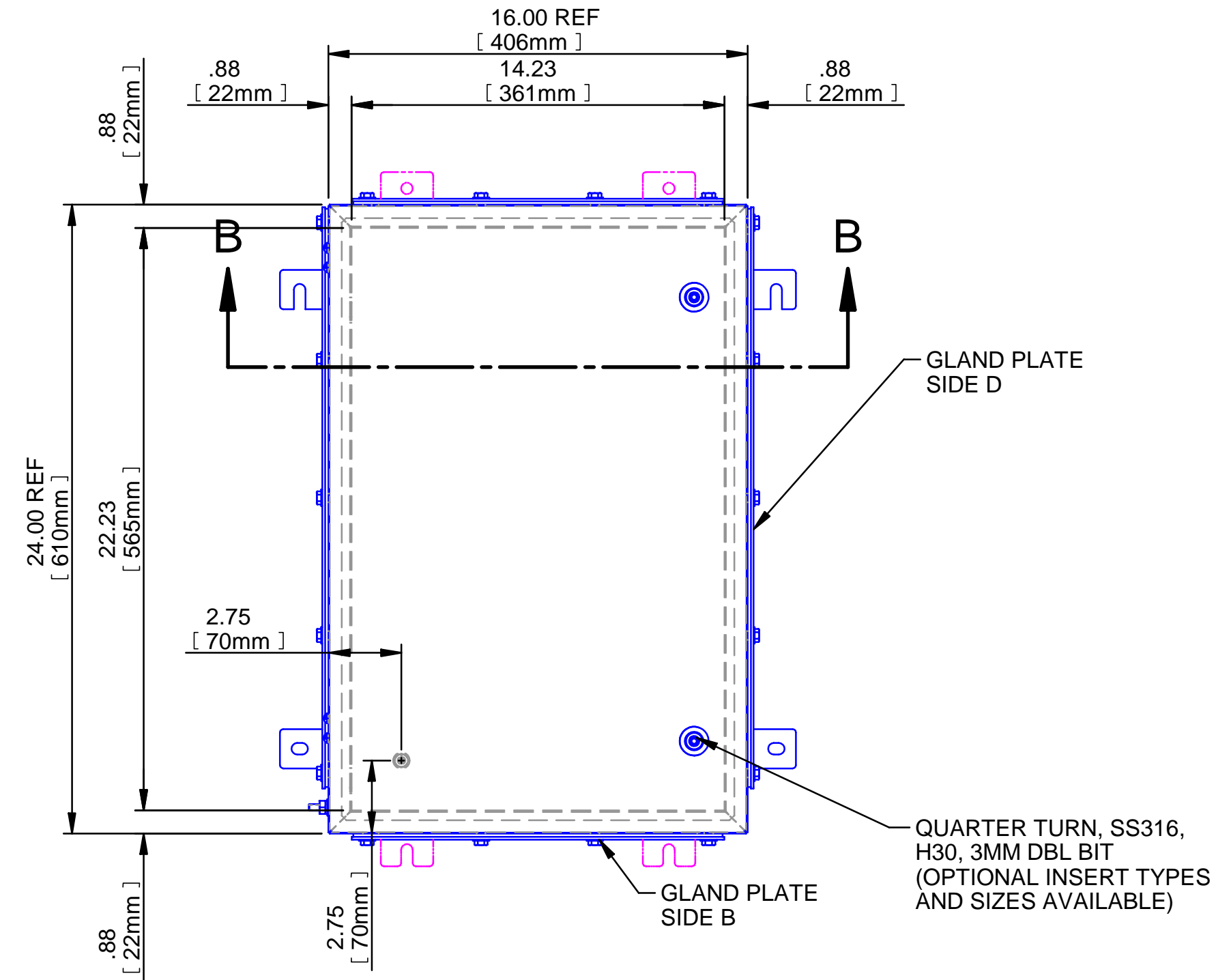
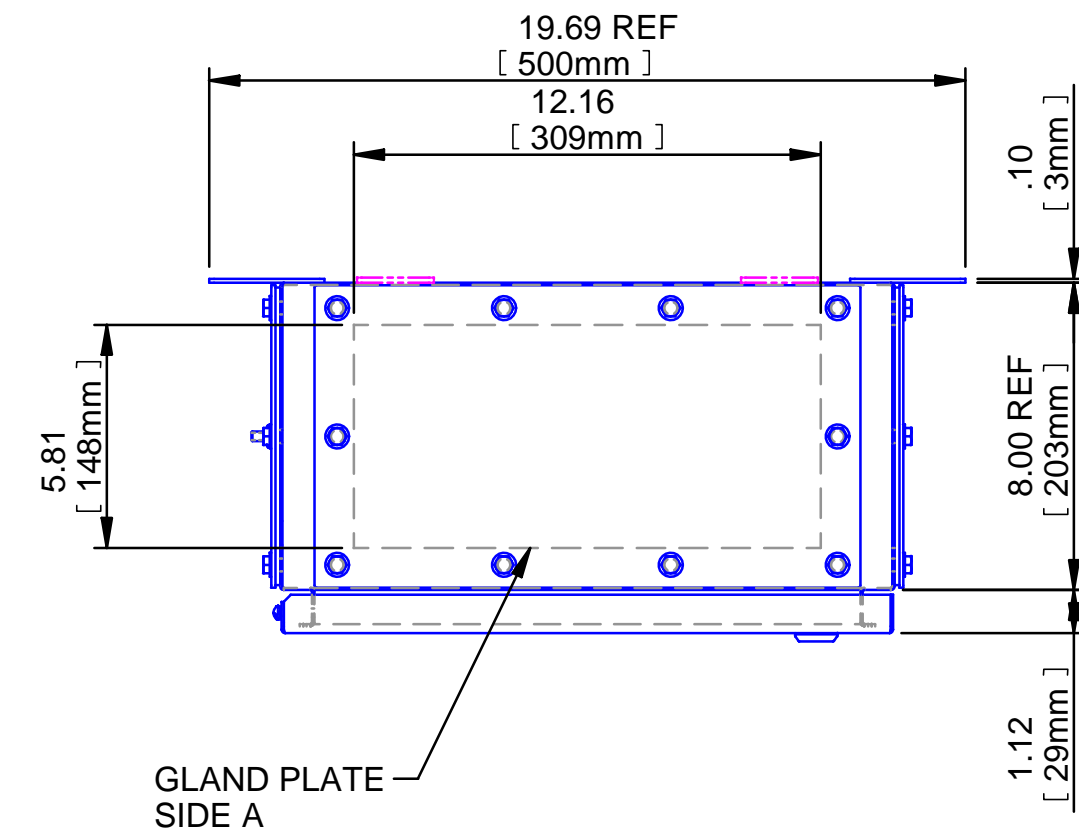


REV	REVISION	BY	ECN	DATE



INTERNAL AND EXTERNAL BOX GROUND STUD AND HARDWARE PROVIDED



SECTION A-A

SECTION B-B

UNCONTROLLED DRAWING (DATA SUBJECT TO CHANGE WITHOUT NOTICE)

DO NOT REVISE THIS DWG. IN AUTOCAD 3D GENERATED IN SOLID EDGE

DO NOT SCALE DRAWING		TITLE	
UNLESS OTHERWISE SPECIFIED DIMENSIONS ARE IN INCHES		VC-241608 INCREASED SAFETY ENCLOSURE CUSTOMER OUTLINE DRAWING	
CAST TOLERANCES ON DIMENSIONS NOT OTHERWISE SPECIFIED: 1/16" STOCK		DRAWN BY DMS DATE 12/4/2008	
FILLET OR CORNER RADI 1/8"		ENG APPROVAL	
DRAFT 1:1/2		PLOT SCALE	
FRAC ±1/16"		MFG APPROVAL	
ANGLES ±1°		DWG SIZE D	
MACHINE TOLERANCES ON DIMENSIONS NOT OTHERWISE SPECIFIED: √ = 125 MIN		MATERIAL	
.XX ± .03		FINISH	
.XXX ± .010"		CAT NO	
FILLET RADI .03"		DWG NO	
EDGE BREAK .035"-.015" R. or 45°		SHT	
ANGLES ± 0°30'		REV	
TAGGING FOR THREADED HOLES NOT OTHERWISE SPECIFIED: MPT E-212.6			
NPSM E-241.0			