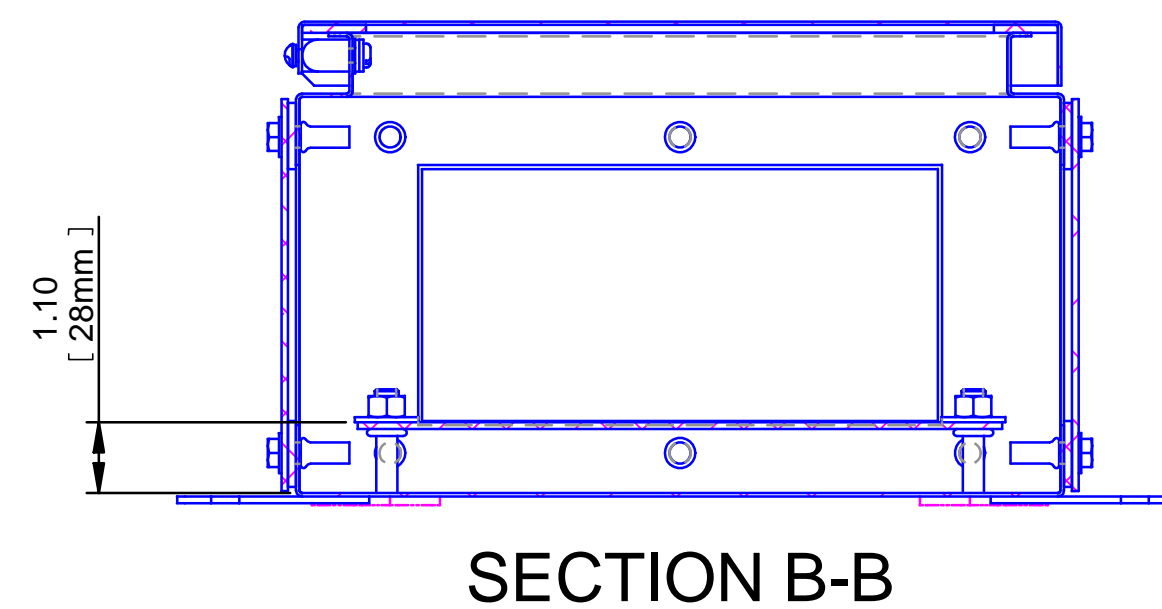
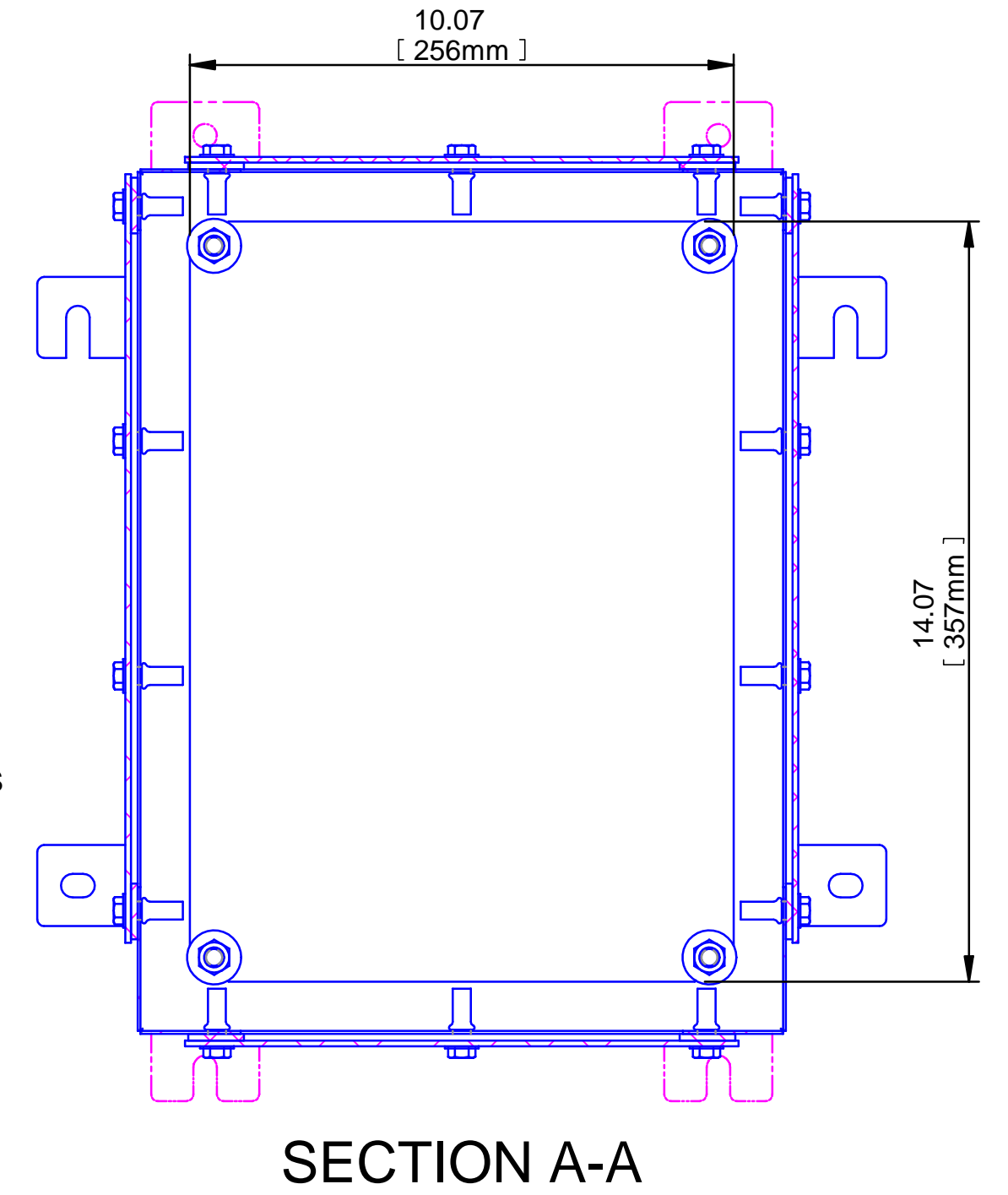
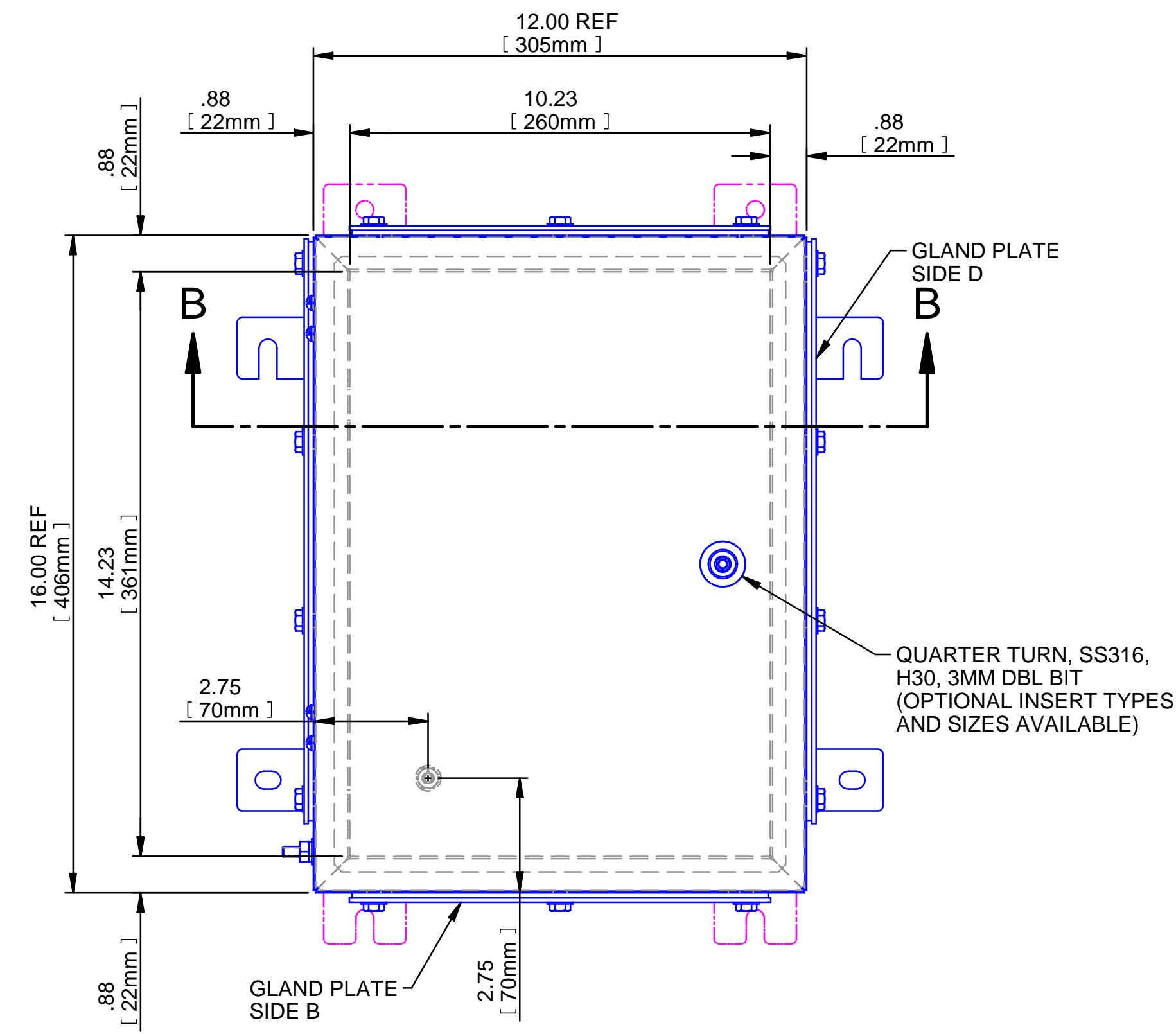
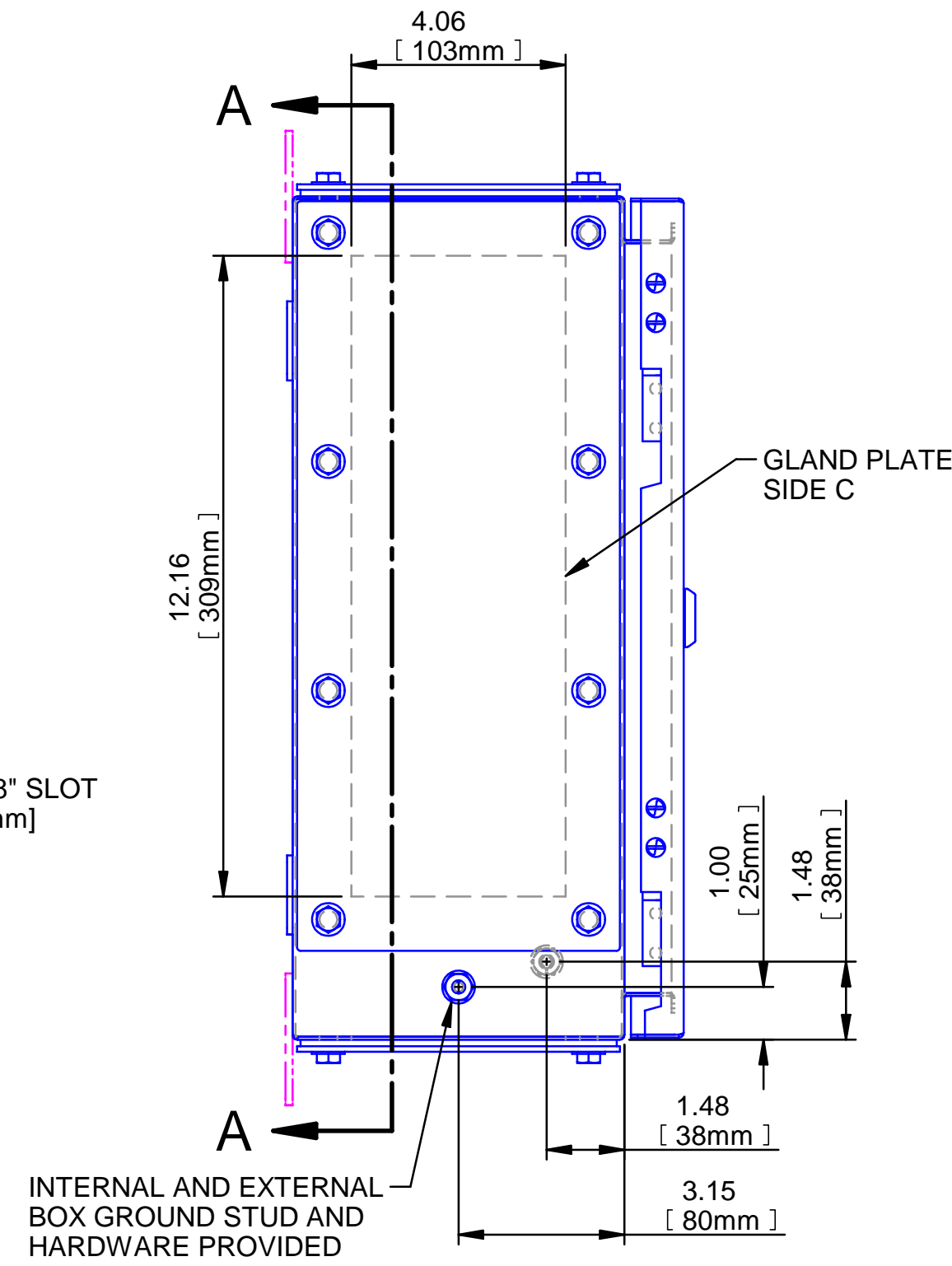
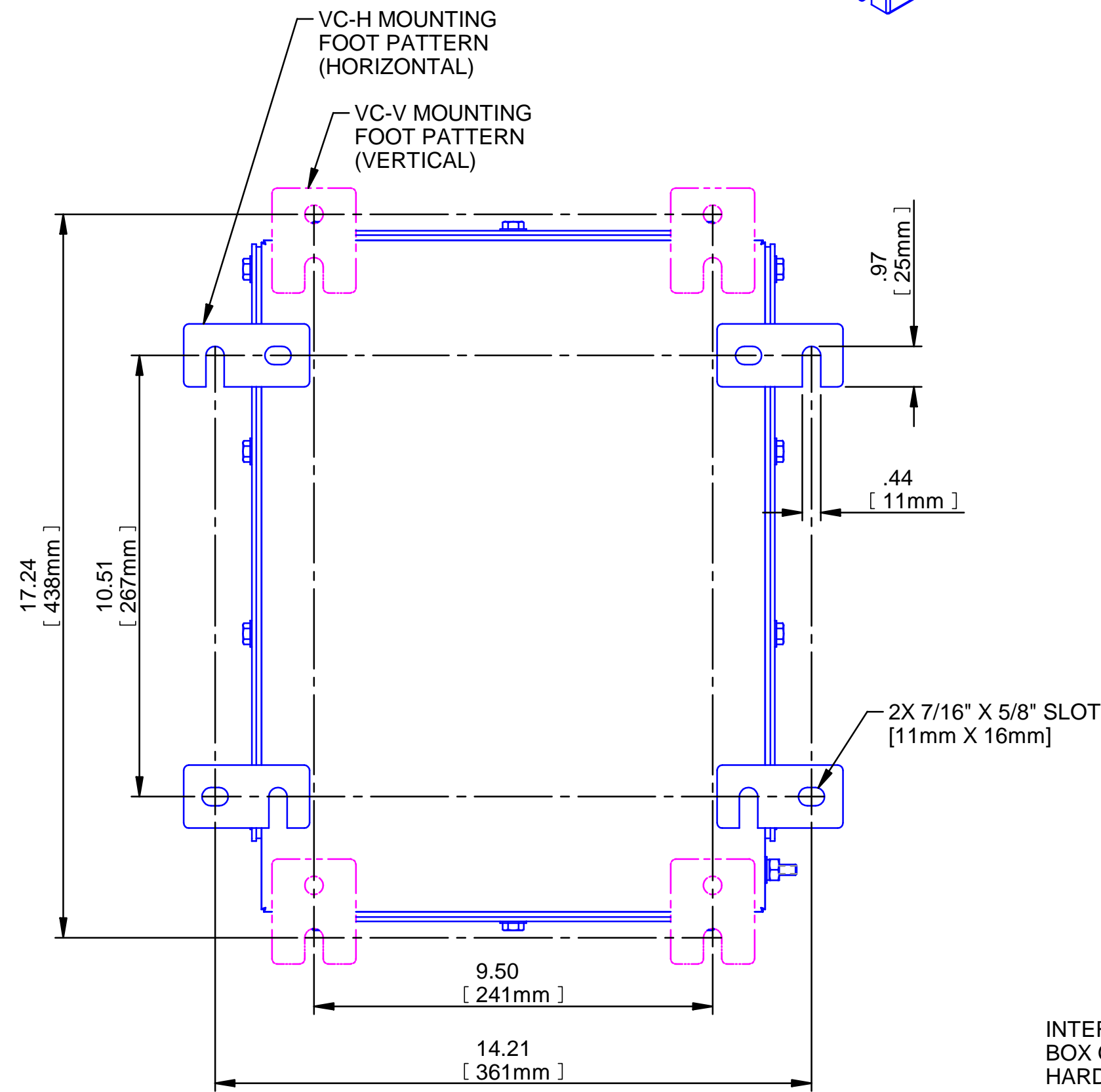
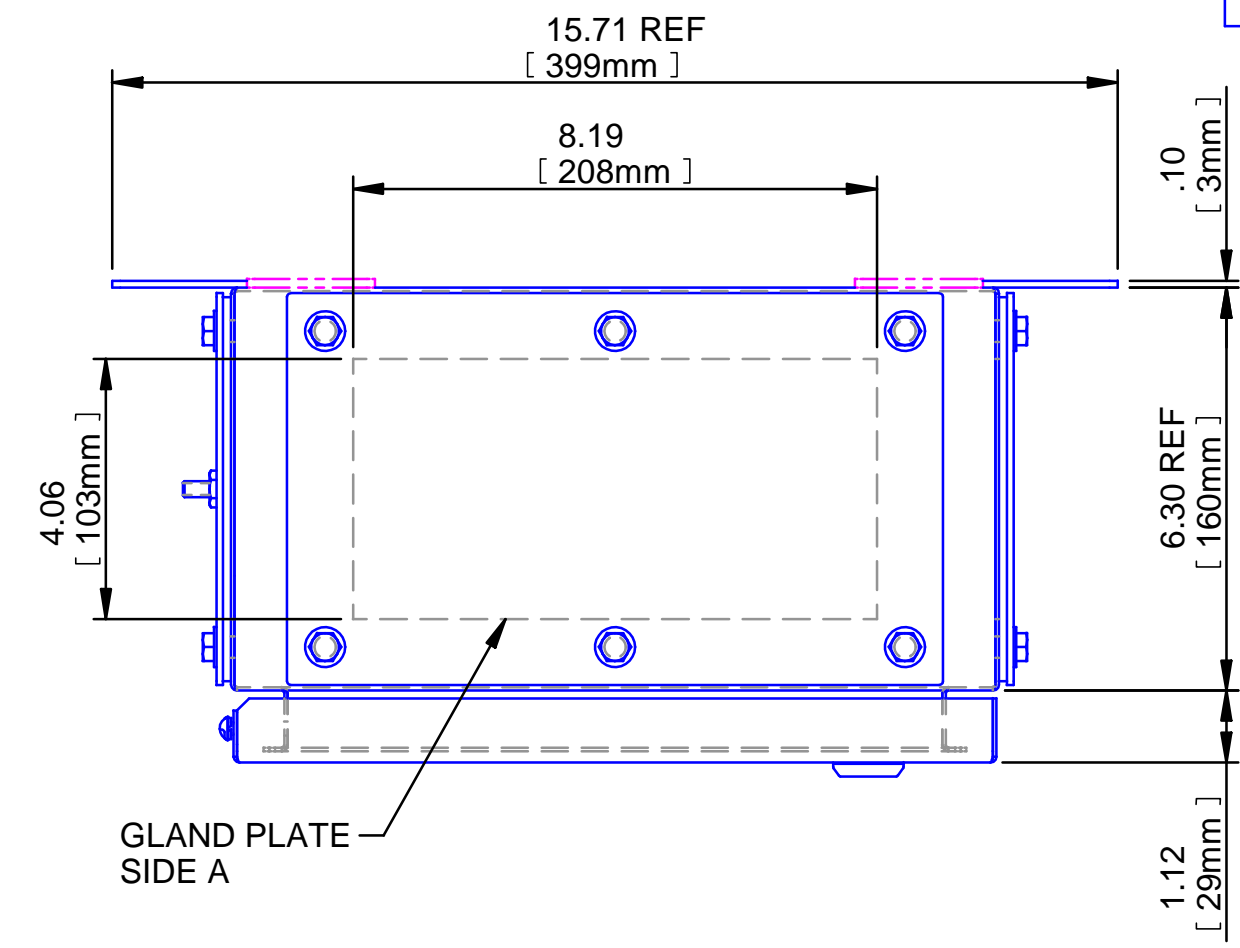
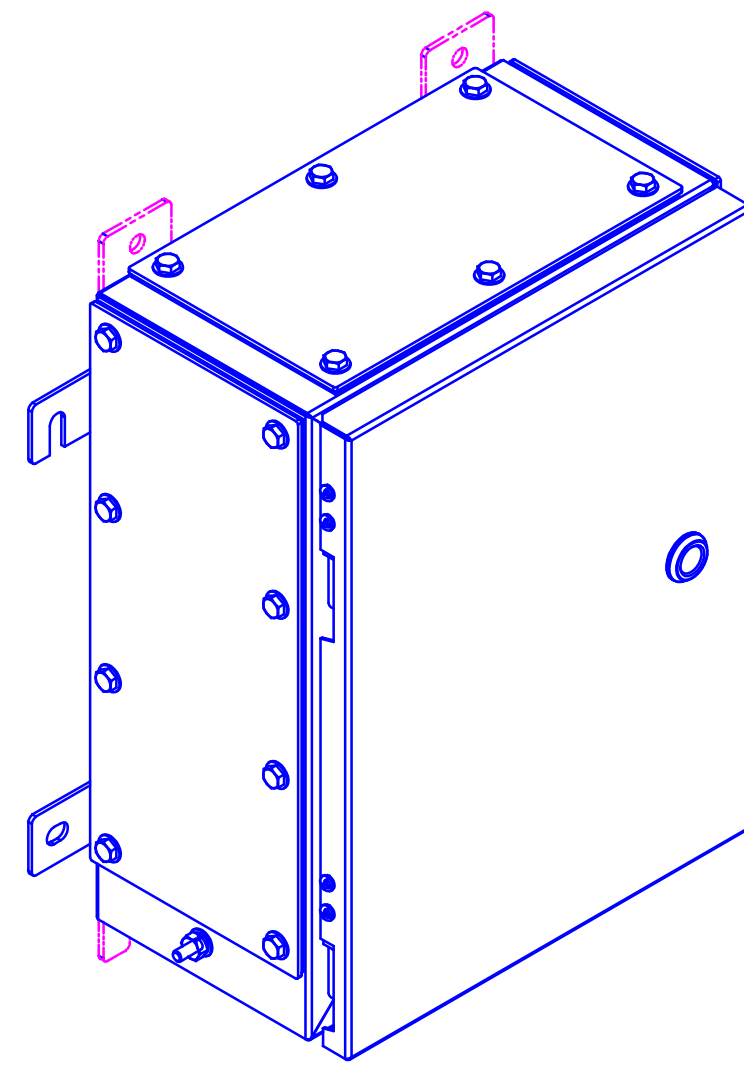


REV	REVISION	BY	ECN	DATE



UNCONTROLLED DRAWING
(DATA SUBJECT TO CHANGE
WITHOUT NOTICE)

**DO NOT REVISE THIS DWG. IN AUTOCAD
3D GENERATED IN SOLID EDGE**

<small>DO NOT SCALE DRAWING UNLESS OTHERWISE SPECIFIED DIMENSIONS ARE IN INCHES CAST TOLERANCES ON DIMENSIONS NOT OTHERWISE SPECIFIED: 1/8" STOCK DRAFT 1:12 FILLET OR CORNER RADI 1/8" FRAC ±1/16" ANGLES ±1° MACHINE TOLERANCES ON DIMEN- SIONS NOT OTHERWISE SPECIFIED: √ = 125 MIN XXX ± .010" FILLET RADI .03" EDGE BREAK .035"-.015" R. or 45° ANGLES ± 0°30' GAGING FOR THREADED HOLES NOT OTHERWISE SPECIFIED: MFT E-212.6 NPSM E-241.0</small>				<small>NOTICE TO PERSONS RECEIVING THIS DRAWING: ADALET-PLM CLAIMS PROPRIETARY RIGHTS IN THE MATERIAL DISCLOSED HEREIN. THIS DRAWING IS ISSUED IN CONFIDENCE FOR ENGINEERING INFORMATION ONLY AND MAY NOT BE REPRODUCED OR USED TO MANUFACTURE ANYTHING SHOWN HEREON, WITHOUT DIRECT WRITTEN PERMISSION FROM ADALET-PLM TO THE USER.</small>	
<small>TITLE</small> VC-161206 INCREASED SAFETY ENCLOSURE CUSTOMER OUTLINE DRAWING		<small>DRAWN BY</small> DMS		<small>DATE</small> 12/3/2008	
<small>ENG APPROVAL</small>		<small>PLOT SCALE</small>		<small>MFG APPROVAL</small> D	
<small>MATERIAL</small>		<small>DWG NO</small>		<small>SHT</small>	
<small>FINISH</small>		<small>REV</small>			
<small>CAT NO</small>					