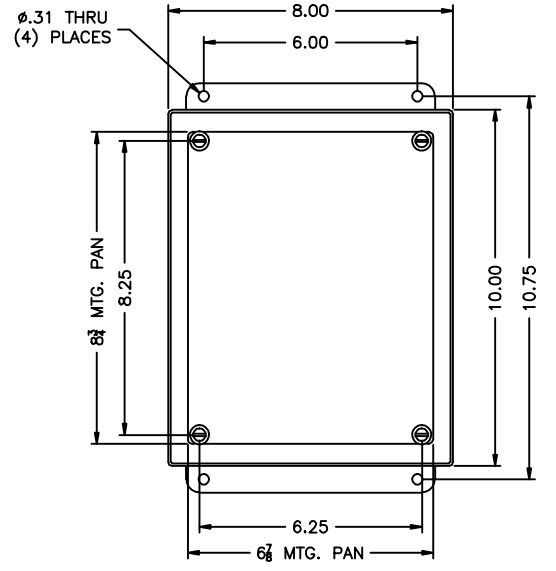
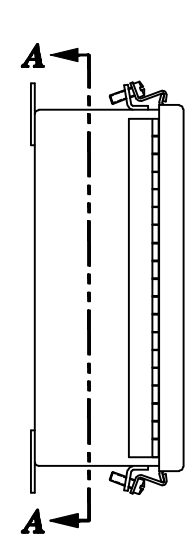
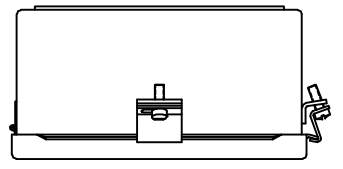


100804

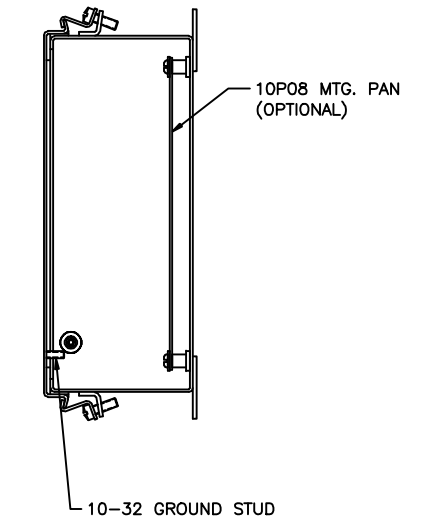
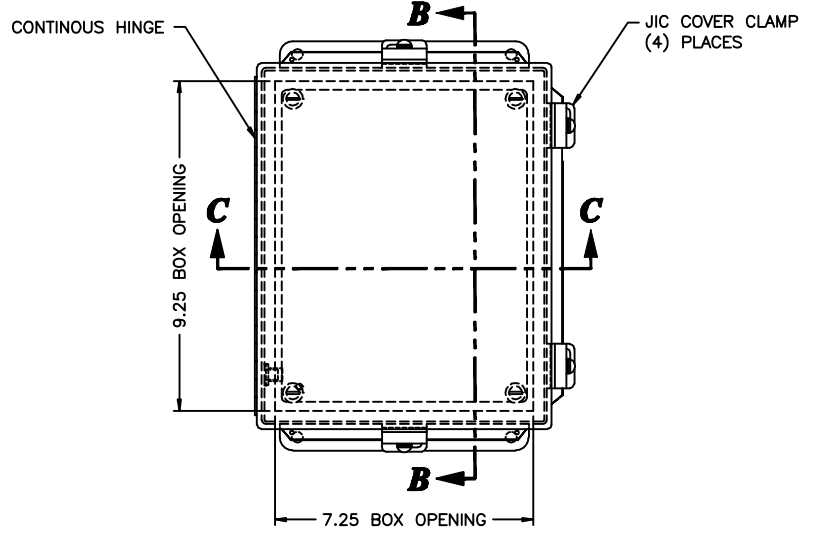
REV	REVISION	BY	BCN	DATE
A	INITIAL RELEASE	CLB		8/15/03

# UNCONTROLLED DRAWING

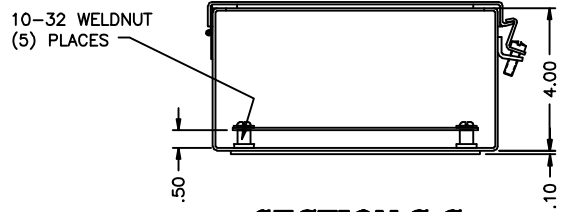
(DATA SUBJECT TO CHANGE WITHOUT NOTICE)  
FOR ADDITIONAL HELP CONTACT ENGINEERING@ADALET.com



**SECTION A-A**



**SECTION B-B**



**SECTION C-C**

ENCLOSURE MATERIAL	CATALOG NUMBER	PART NUMBER
SS316L	JN4XHSS6-100804	M10337
SS304	JN4XHSS-100804	M10307

<p><b>ADALET</b> A SCOTT FETZER COMPANY Enclosure Systems • Cable Accessories Control Panels</p>		<p>JN4XHSS-100804 JIC ASSEMBLY</p>	
<p>UNLESS OTHERWISE SPECIFIED DIMENSIONS ARE IN INCHES. SHEET METAL TOLERANCES NOT OTHERWISE SPECIFIED: FINC ±1/16" JIC ±.03" JOC ±.010" ANGLES ± 0°-30" INSIDE BEND RADIUS = .040" NOM. WARPAGE = 1/16" PER FOOT ALL WELD SIZES ARE MIN.</p>	<p>NOTICE TO PERSONS RECEIVING THIS DRAWING: ADALET CLAIMS PROPRIETARY RIGHTS IN THE MATERIAL INCLOSED HEREIN. THIS DRAWING IS ISSUED IN CONFIDENCE FOR ENGINEERING INFORMATION ONLY AND MAY NOT BE REPRODUCED OR USED TO MANUFACTURE, PARTIAL OR WHOLE, WITHOUT WRITTEN PERMISSION FROM ADALET TO THE USER.</p>	<p>DRAWN BY CLB DATE 8/15/03 MFG APPROVAL MFG APPROVAL MFG DATE D</p>	<p>SCALE 1=2.5</p>
<p>100804</p>		<p>10F1 A</p>	