

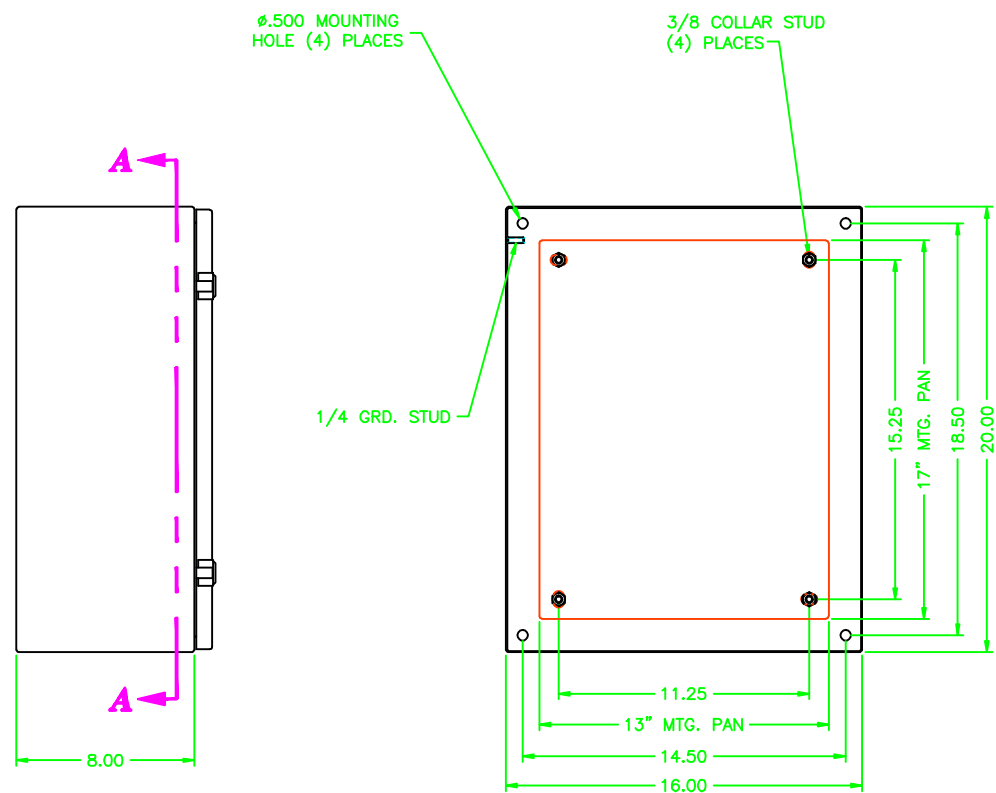
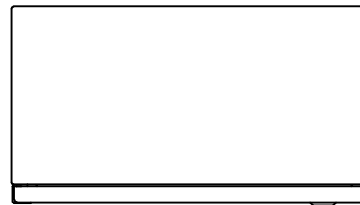
201608

REV	REVISION	BY	BCN	DATE
A	INITIAL RELEASE	CLB		6/3/03

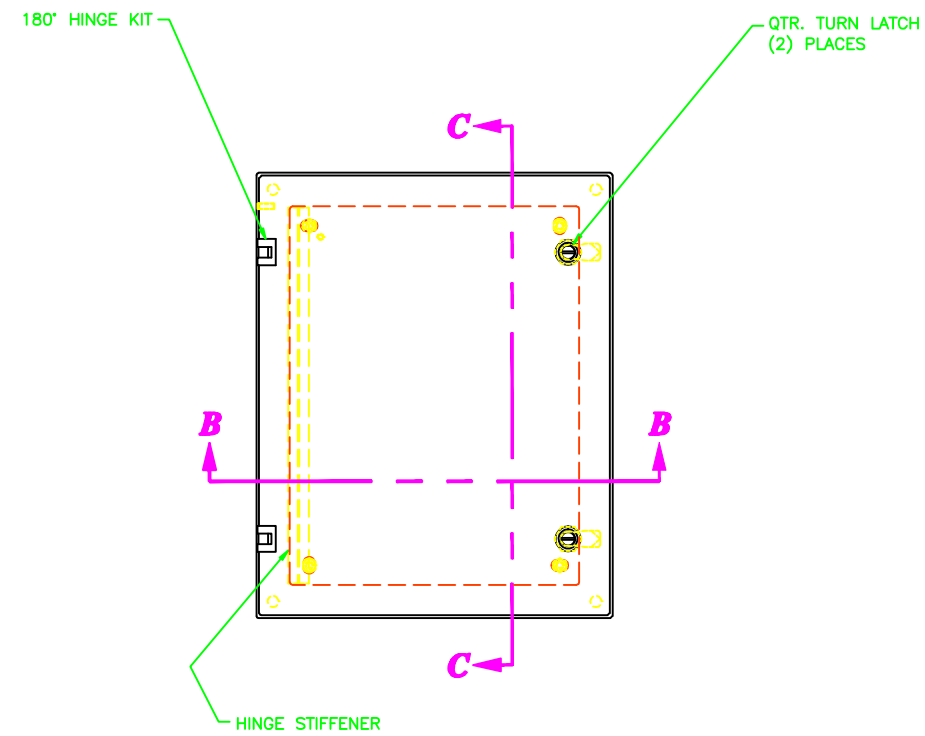
UNCONTROLLED DRAWING

(DATA SUBJECT TO CHANGE WITHOUT NOTICE)

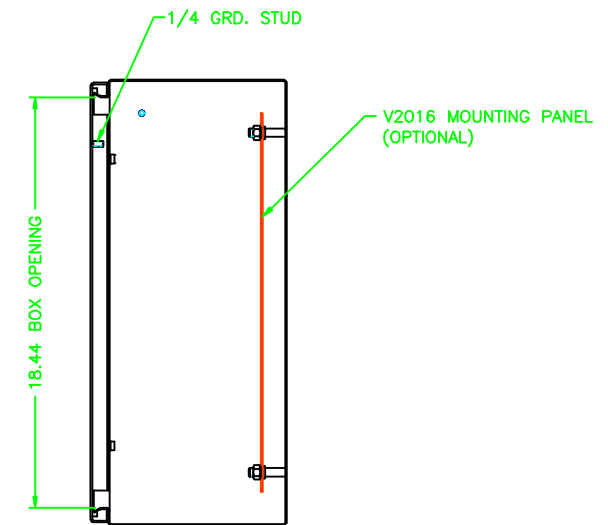
FOR ADDITIONAL HELP CONTACT ENGINEERING@ADALET.com



SECTION A-A



SECTION B-B



SECTION C-C

ENCLOSURE MATERIAL	CATALOG NUMBER	PART NUMBER
88318L	AV888-201608	M10088
88304	AV888-201608	M10012

DO NOT SCALE DRAWING		UNLESS OTHERWISE SPECIFIED DIMENSIONS ARE IN INCHES.		SHEET METAL TOLERANCES NOT OTHERWISE SPECIFIED:	
FRAC ±1/16"	DEC ±.015"	XXX ±.010"	ANGLES ±0°-30"	WARPAGE = 1/16" PER FOOT	ALL WELD SIZES ARE MIN.
ADALET A SCOTT FETZER COMPANY Rotorcraft Systems • Cable Accessories			201608 VICTORY ENCLOSURE ASSEMBLY		
NOTICE TO PERSONS RECEIVING THIS DRAWING: ADALET CLAIMS PROPRIETARY RIGHTS IN THE MATERIALS, METHODS, AND EQUIPMENT USED IN THE DESIGN AND MANUFACTURE OF THIS DRAWING. NO PART OF THIS DRAWING IS TO BE REPRODUCED OR TRANSMITTED IN ANY FORM OR BY ANY MEANS, ELECTRONIC OR MECHANICAL, INCLUDING PHOTOCOPYING, RECORDING, OR BY ANY INFORMATION STORAGE AND RETRIEVAL SYSTEM, WITHOUT THE WRITTEN PERMISSION OF ADALET.			DRAWN BY: CLB DATE: 6/3/03 CHECKED BY: [blank] DATE: [blank] APPROVED BY: [blank] DATE: [blank]		
FINISH: [blank] QUANTITY: [blank]			DWG NO: 201608 SHEET: 10F1 REV: A		