

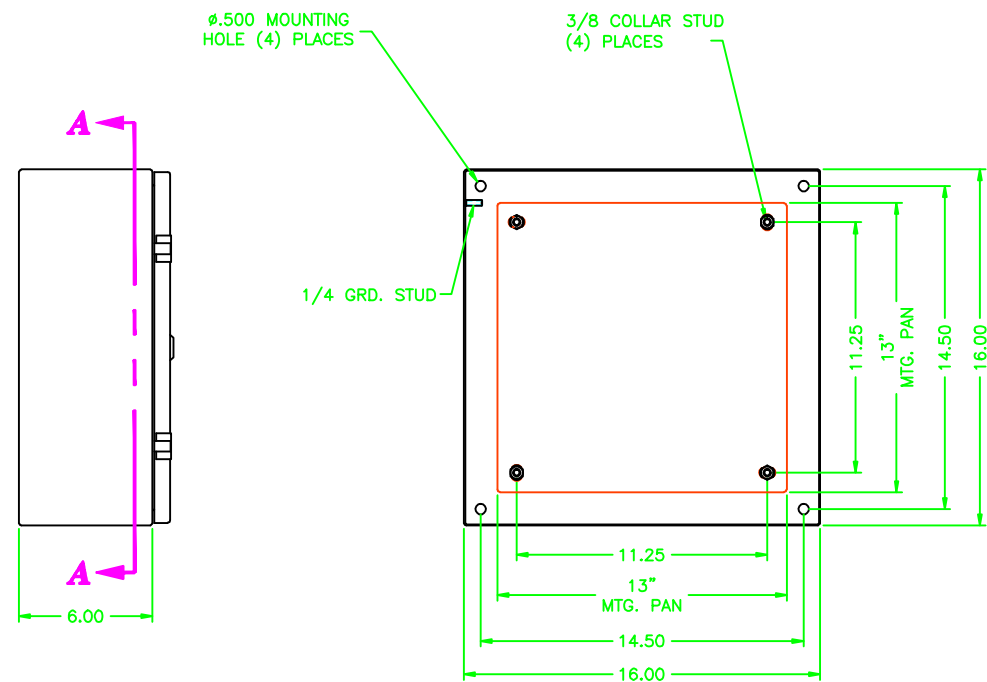
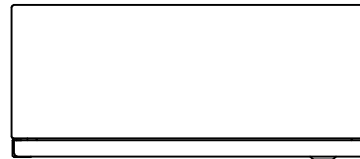
161606

REV	REVISION	BY	BCN	DATE
A	INITIAL RELEASE	CLB		6/3/03

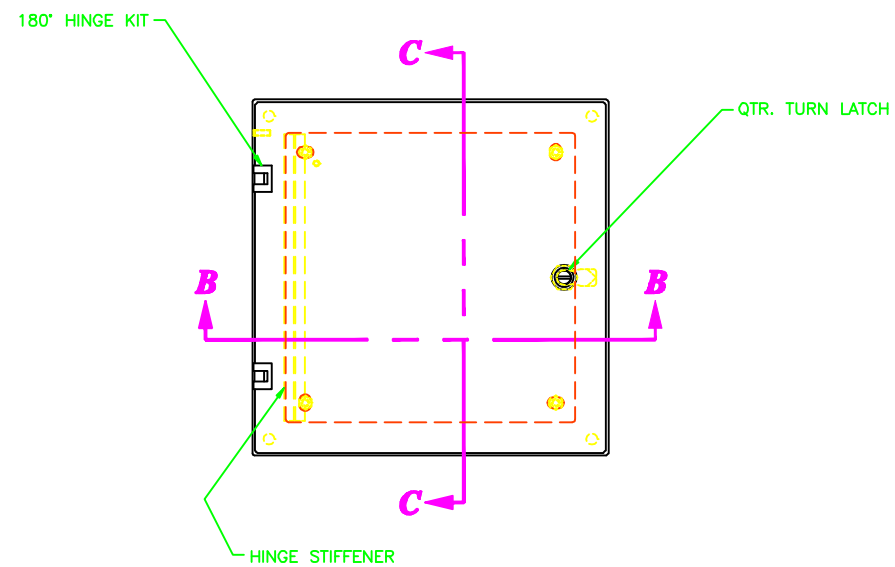
# UNCONTROLLED DRAWING

(DATA SUBJECT TO CHANGE WITHOUT NOTICE)

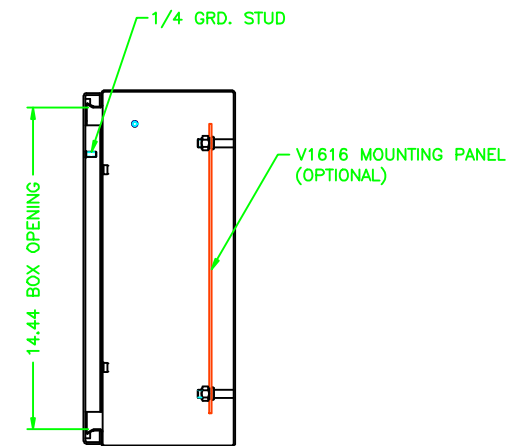
FOR ADDITIONAL HELP CONTACT ENGINEERING@ADALET.com



**SECTION A-A**



**SECTION B-B**



**SECTION C-C**

ENCLOSURE MATERIAL	CATALOG NUMBER	PART NUMBER
SS316L	AVSS6-161606	M10056
SS304	AVSS-161606	M10002

DO NOT SCALE DRAWING		UNLESS OTHERWISE SPECIFIED DIMENSIONS ARE IN INCHES.		SHEET METAL TOLERANCES NOT OTHERWISE SPECIFIED:	
FRAC ±1/16"	DEC ±.005"	ANGLE ±0°-30"	WARPAGE = 1/16" PER FOOT	ALL WELD SIZES ARE MIN.	
		NOTICE TO PERSONS RECEIVING THIS DRAWING: ADALET CLAIMS PROPRIETARY RIGHTS IN THE MATERIALS, METHODS, AND EQUIPMENT USED IN THE DESIGN AND MANUFACTURE OF THIS DRAWING. NO PART OF THIS DRAWING IS TO BE REPRODUCED OR TRANSMITTED IN ANY FORM OR BY ANY MEANS, ELECTRONIC OR MECHANICAL, INCLUDING PHOTOCOPYING, RECORDING, OR BY ANY INFORMATION STORAGE AND RETRIEVAL SYSTEM, WITHOUT WRITTEN PERMISSION FROM ADALET TO THE USER.		DRAWN BY: CLB DATE: 6/3/03 CHECKED BY: [blank] DATE: [blank] APPROVED BY: [blank] DATE: [blank]	
161606 VICTORY ENCLOSURE ASSEMBLY		SHEET NO: 10F1 REV: A		SCALE: 1=4 PART: D	