

XDH (Standard) SERIES

3-3/16" ID Enclosures

Double-Ended Housing

XDH housings are designed to isolate incoming power connections from instrumentation. The 3-3/16" ID provides ample clearance to accommodate a wide variety of measurement and control devices, with back-to-back chambers separated by a solid, 3/8" thick wall. Precision machined from sand-cast copper-free aluminum.

STANDARD FEATURES

- 3/4" NPT conduit feed-through hubs, offset into power side for maximum clearance and capacity
- Front boss with 3/4" NPT opening into instrument side for conduit, sensor or probe (see design options for other sizes)
- Internal and external ground screws and tamper resistant cover set screws for extra safety
- A choice of solid covers or 2-5/8" diameter tempered glass window for local read out and display
- Buna-Nitrile rubber gasket for NEMA Type 4X watertight applications
- Corrosion resistant, "safety blue" polyester powder coating (other colors available)
- Stainless steel hardware

DESIGN OPTIONS

- 2- or 4-point, power side terminal strip with sealed pass-through to instrument (add suffix "2T" or "4T" to catalog number)
- Power side (shallow side) cover options:

Flat Solid	—	Standard
Dome Glass	—	Add Suffix "A"
Flat Glass	—	Add Suffix "B"
Dome Solid	—	Add Suffix "C"
- 1/4-20 UNC holes in front boss for bracket mounting. (Consult factory for other sizes.)
- Front Boss Modifications: 1/2 NPT & various NPSM & Metric entries available in place of standard 3/4 NPT. Consult factory.
- 1/2" NPT feed-through reducers are available – add suffix "2" to catalog-number.
- High ambient silicone gasket (+70°C)

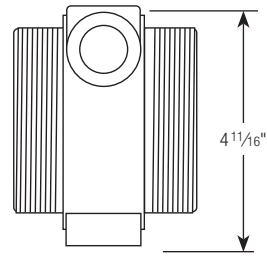
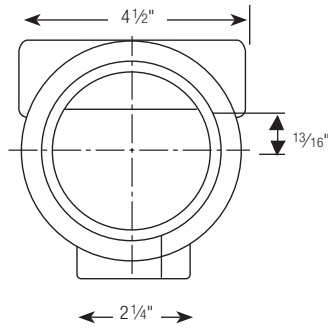


Certifications

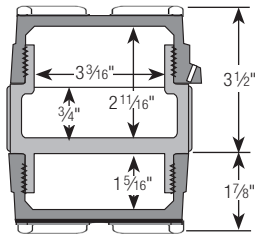
Class I, Groups B,C,D	}	UL 1203
Class II, Groups E,F,G		FM 3615
Class III		CSA C22.2 No. 30
Class I, Zone 1, AEx d IIC	}	UL 60079-0/UL 60079-1
Ex d IIC		CSA 60079-0/CSA 60079-1
0539 Ⓢ II 2GD (Optional)		ATEX Directive 94/9/EC
Type 4X		UL 50
IP 66		IEC 60529
4X, 7BCD, 9EFG		NEMA Compliance



XDH (Standard) SERIES

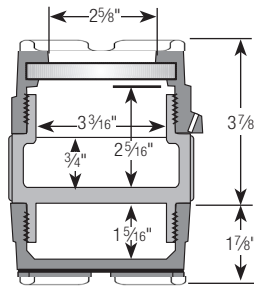


Solid Cover Arrangements

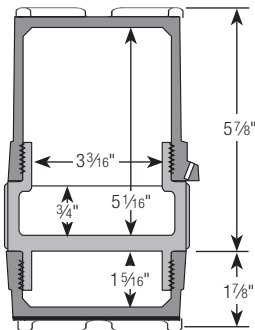


SOLID COVER	
Catalog Number	Description
XDHFCC	Flat Cover, 3/4" NPT Hubs

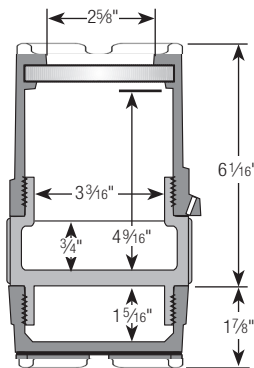
Glass Cover Arrangements



GLASS COVER	
Catalog Number	Description
XDHFGCX	Flat Glass Cover, 3/4" NPT Hubs



SOLID COVER	
Catalog Number	Description
XDHDCX	Dome Cover, 3/4" NPT Hubs



GLASS COVER	
Catalog Number	Description
XDHDGCX	Dome Glass Cover, 3/4" NPT Hubs