

NEMA TYPE 4X

FSSD Series

Free Standing Single Door Enclosures

These single door enclosures are used indoors and outdoors to house such items as electronic / electrical controls, instrumentation systems, and pneumatic, hydraulic, and machine tool controls. These enclosures are designed to provide protection against dust, dirt, oil and water. They are suitable for use in petrochemical plants, dairies, breweries, food processing areas and similar environments where they are subject to frequent high pressure hosing and generally wet conditions. The Type 4X rating and stainless steel construction also allows for installation in areas where severe corrosion problems may exist.

STANDARD FEATURES

- Single and dual access versions available
- Continuous hinge (removable hinge pin)
- Watertight urethane gasket
- Lockable 3 point latch handle
- Heavy duty Type 316 lifting bolts
- Print pocket
- 3/8" Collar studs for optional mounting panel (mounting panels sold separately)
- Grounding studs on inside of box and cover

DESIGN OPTIONS

- Painted steel and stainless steel mounting panels
- Laser cut entries or cut-outs
- Terminal blocks or other component assembly
- Swing panel / dead front panel
- Louvers, fans and filters
- Epoxy paint or powder coating
- Custom sizes
- Drip shields and sun shields
- Window kits

MATERIAL

- 12 and 14 gauge / Type 304 or 316L stainless steel
- Stainless steel hardware
- #3 or #4 brushed finish



CERTIFICATIONS

NEMA Type 3, 3R, 4, 4X, 12 & 13
UL50
cULus Listed



N4X-FSSD-SINGLE ACCESS

Catalog Number*	A	B	C	H	M	N
N4X-602418FSSD	60.06	24.06	18.06	23.13	49.31	20.56
N4X-722418FSSD	72.06	24.06	18.06	29.13	61.31	20.56
N4X-723018FSSD	72.06	30.06	18.06	29.13	61.31	26.56
N4X-723618FSSD	72.06	36.06	18.06	29.13	61.31	32.56
N4X-902420FSSD	90.06	24.06	20.06	38.13	79.31	20.56
N4X-903620FSSD	90.06	36.06	20.06	38.13	79.31	32.56
N4X-603624FSSD	60.06	36.06	24.06	23.13	49.31	32.56
N4X-722424FSSD	72.06	24.06	24.06	29.13	61.31	20.56
N4X-723024FSSD	72.06	30.06	24.06	29.13	61.31	26.56
N4X-723624FSSD	72.06	36.06	24.06	29.13	61.31	32.56
N4X-903624FSSD	90.06	36.06	24.06	38.13	79.31	32.56
N4X-723630FSSD	72.06	36.06	30.06	29.13	61.31	32.56
N4X-723636FSSD	72.06	36.06	36.06	29.13	61.31	32.56
N4X-903636FSSD	90.06	36.06	36.06	38.13	79.31	32.56

*NOTE: for Type 316L Stainless Steel, substitute catalog prefix N4X with N4X6.

N4X-FSDA-DUAL ACCESS

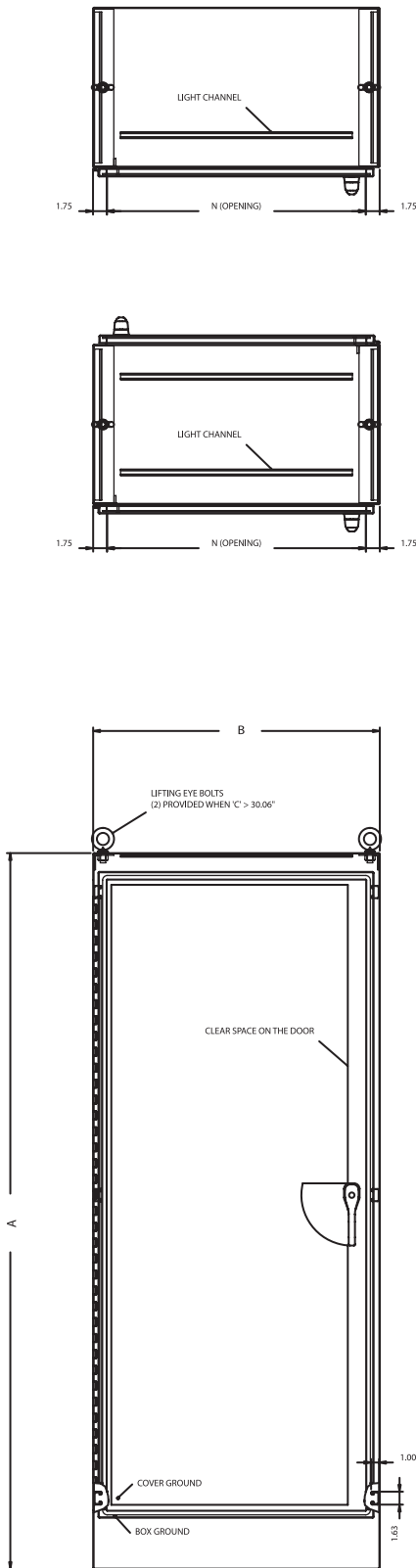
Catalog Number*	A	B	C	H	M	N
N4X-722424FSDA	72.06	24.06	24.06	29.13	61.31	20.56
N4X-723024FSDA	72.06	30.06	24.06	29.13	61.31	26.56
N4X-723624FSDA	72.06	36.06	24.06	29.13	61.31	32.56
N4X-903624FSDA	90.06	36.06	24.06	38.13	79.31	32.56
N4X-722430FSDA	72.06	24.06	30.06	29.13	61.31	20.56
N4X-722436FSDA	72.06	24.06	36.06	29.13	61.31	20.56
N4X-723636FSDA	72.06	36.06	36.06	29.13	61.31	32.56
N4X-903636FSDA	90.06	36.06	36.06	38.13	79.31	32.56

*NOTE: for Type 316L Stainless Steel, substitute catalog prefix N4X with N4X6.

NEMA TYPE 4X

STAINLESS STEEL
ENCLOSURES

TOP VIEW



SIDE VIEW

