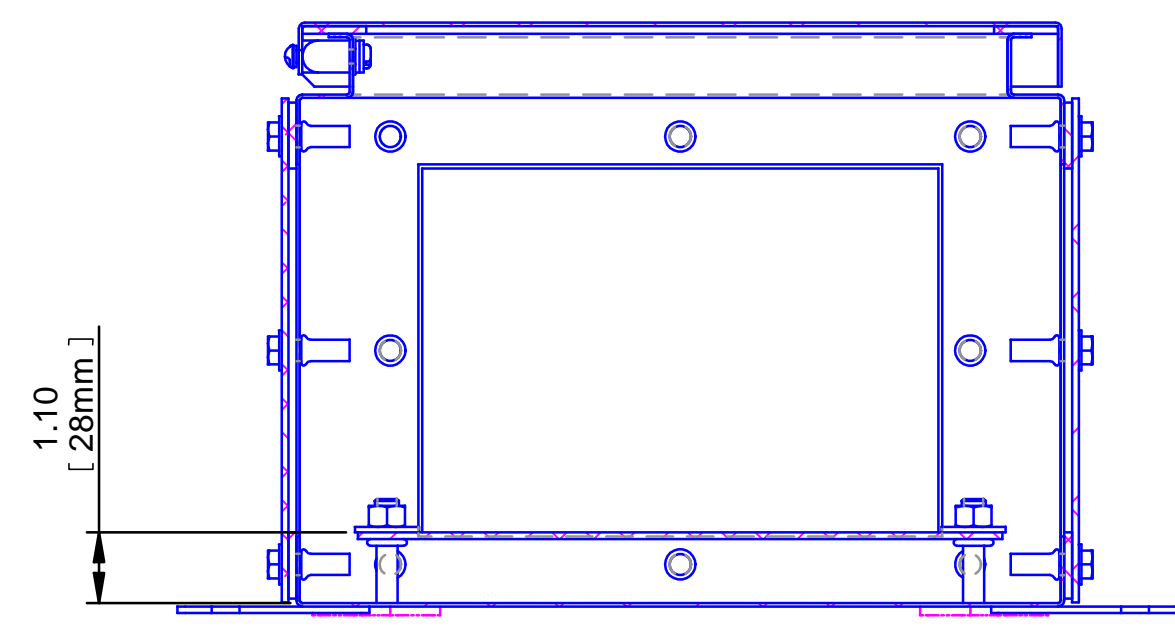
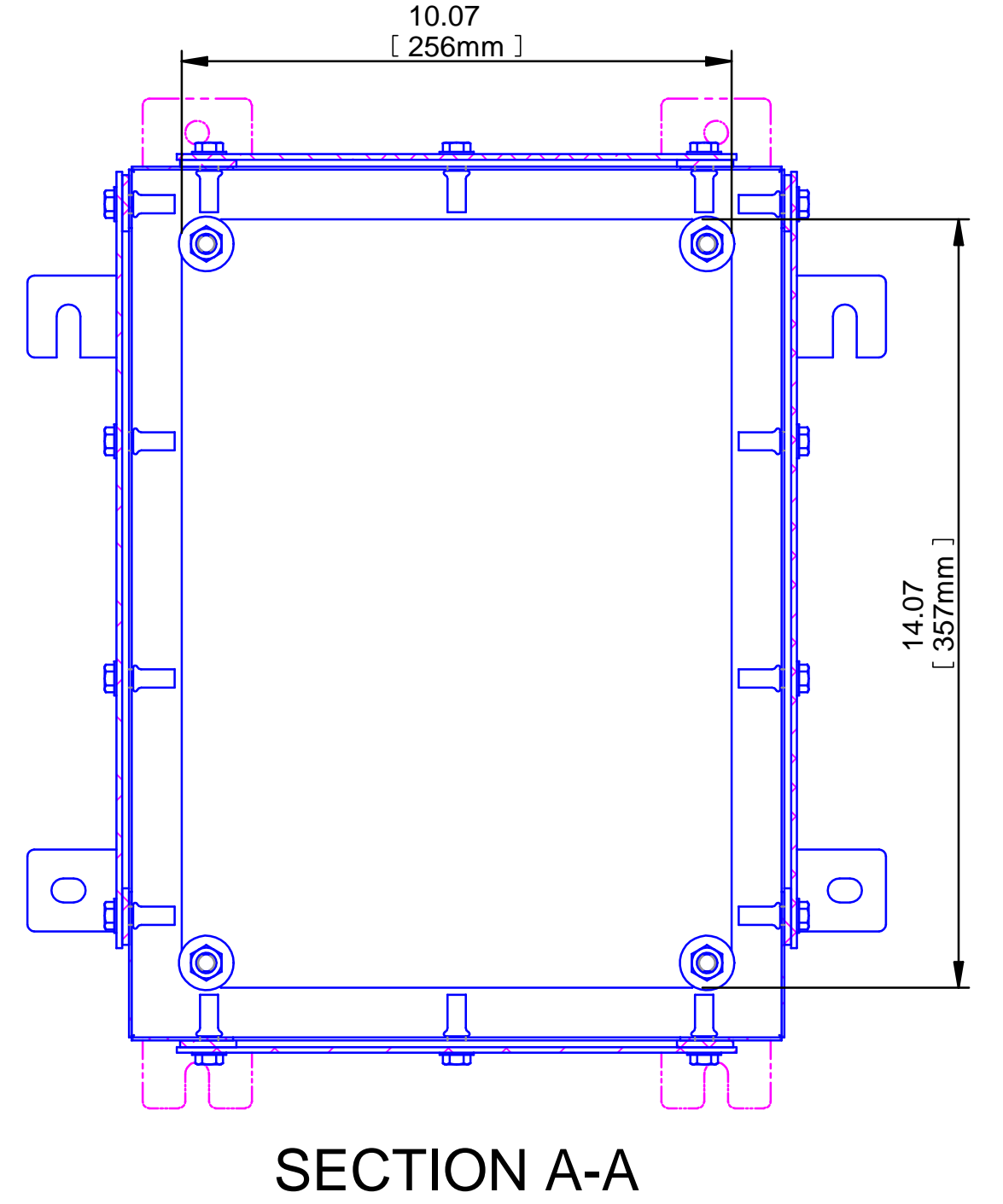
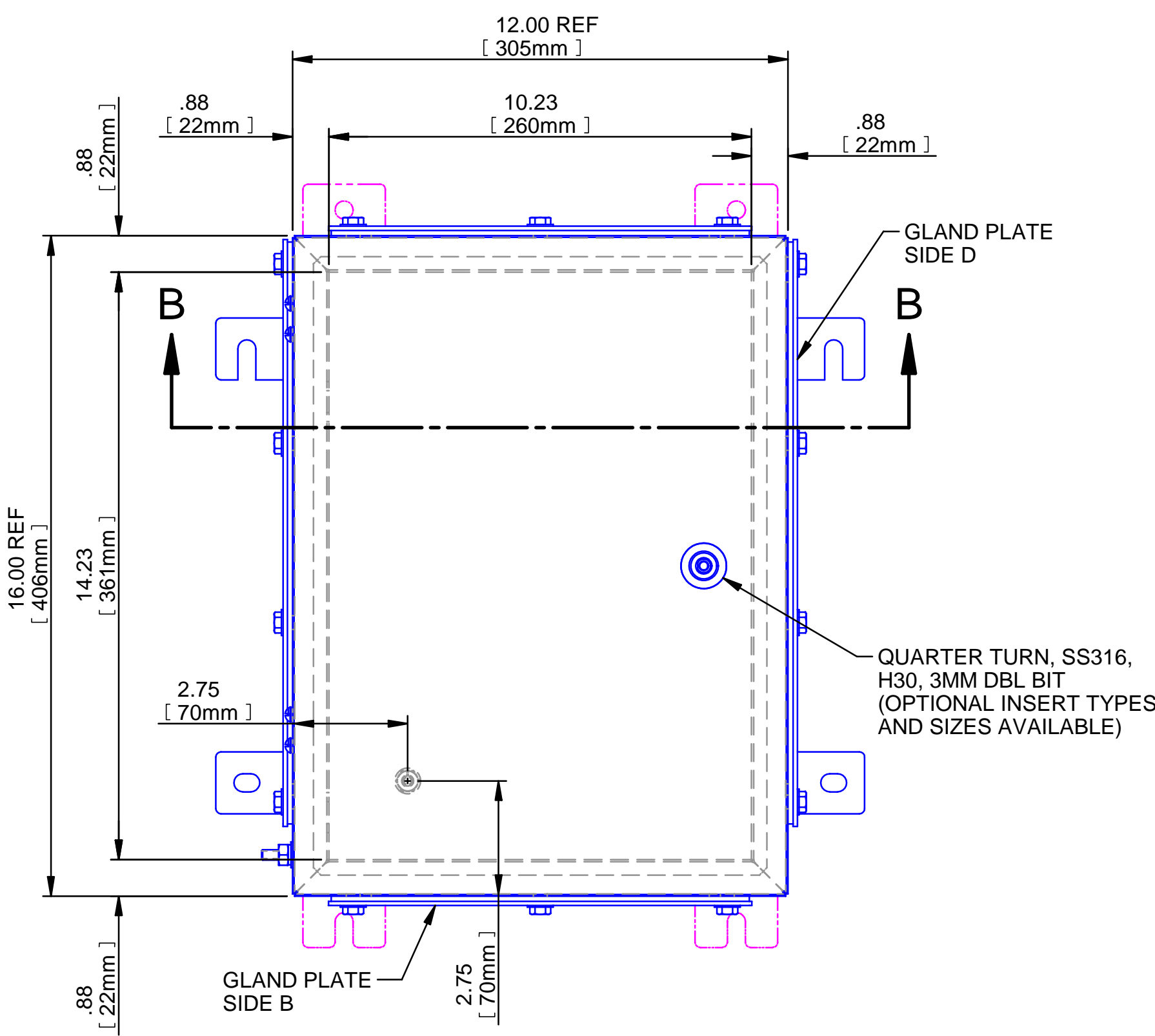
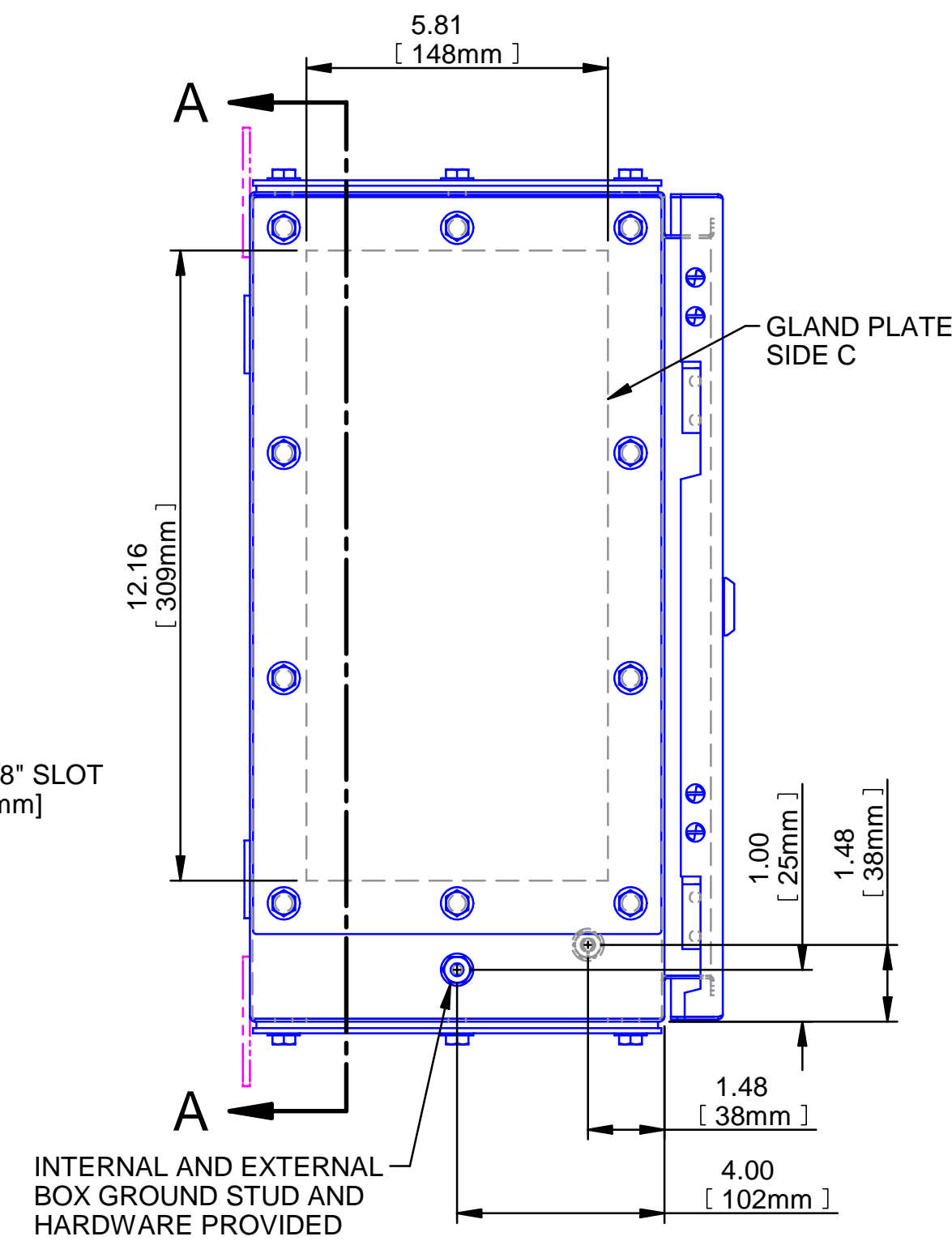
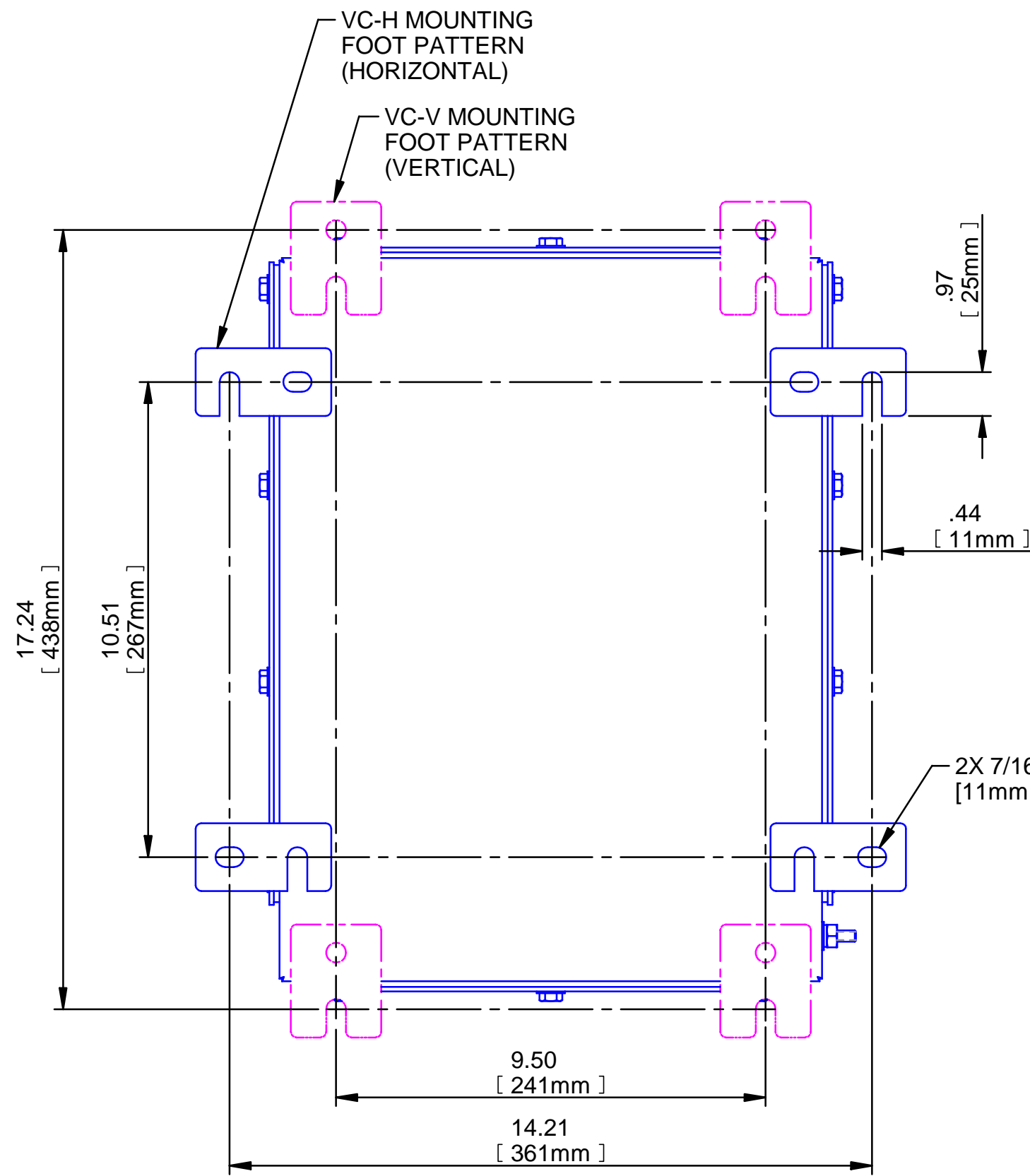
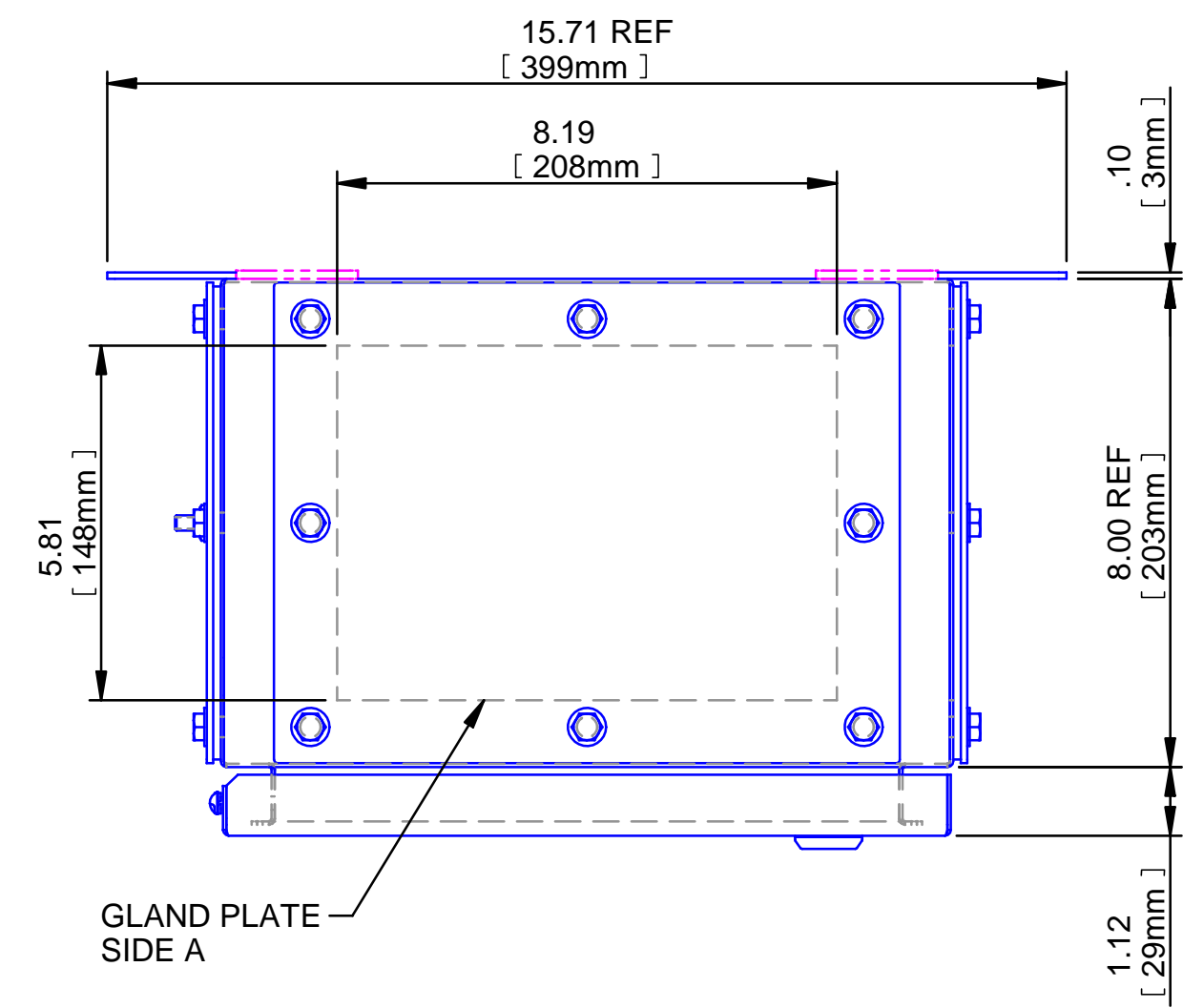
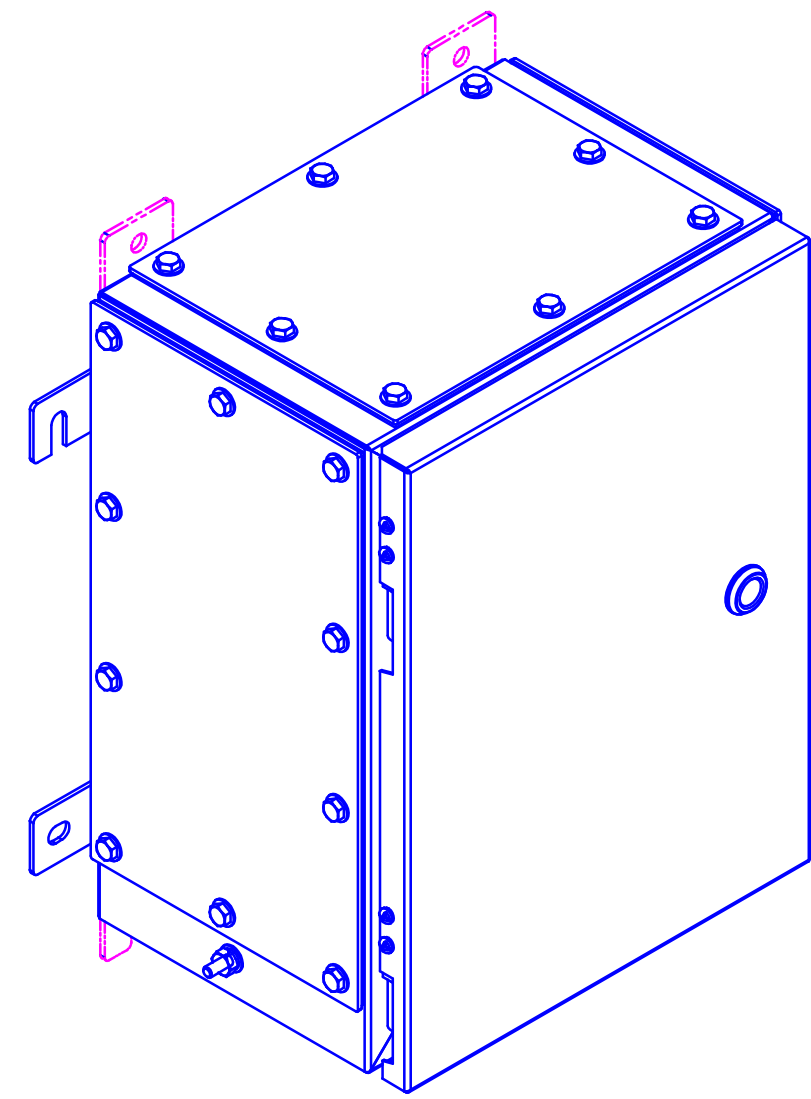


REV	REVISION	BY	ECN	DATE



SECTION A-A

SECTION B-B

UNCONTROLLED DRAWING
(DATA SUBJECT TO CHANGE
WITHOUT NOTICE)

**DO NOT REVISE THIS DWG. IN AUTOCAD
3D GENERATED IN SOLID EDGE**

<small>DO NOT SCALE DRAWING UNLESS OTHERWISE SPECIFIED DIMENSIONS ARE IN INCHES NOT OTHERWISE SPECIFIED. CAST TOLERANCES ON DIMENSIONS NOT OTHERWISE SPECIFIED: 1/8" STOCK FILLET OR CORNER RADI 1/8" DRAFT 1:12" FRAC ±1/16" ANGLES ± 1° MACHINE TOLERANCES ON DIMENSIONS NOT OTHERWISE SPECIFIED: √ = 125 MIN SXX ± .03 XXX ± .010" FILLET RADI .03" EDGE BREAK .035"-.015" R. or 45° ANGLES ± 0°30' TAGGING FOR THREADED HOLES NOT OTHERWISE SPECIFIED: MPT E-212.6 NPSM E-241.0</small>		ADALET A SCOTT FETZER COMPANY Enclosure Systems • Cable Accessories Cleveland, OH 44135		<small>NOTICE TO PERSONS RECEIVING THIS DRAWING: ADALET-PLM CLAIMS PROPRIETARY RIGHTS IN THE MATERIAL DISCLOSED HEREIN. THIS DRAWING IS ISSUED IN CONFIDENCE FOR ENGINEERING INFORMATION ONLY AND MAY NOT BE REPRODUCED OR USED TO MANUFACTURE ANYTHING SHOWING HEREON, WITHOUT DIRECT WRITTEN PERMISSION FROM ADALET-PLM TO THE USER.</small>		VC-161208 INCREASED SAFETY ENCLOSURE CUSTOMER OUTLINE DRAWING	
DRAWN BY		DMS		DATE		12/3/2008	
ENG APPROVAL				PLOT SCALE			
MFG APPROVAL				DWG SIZE		D	
FINISH				DWG NO		SHT	
CAT NO						REV	