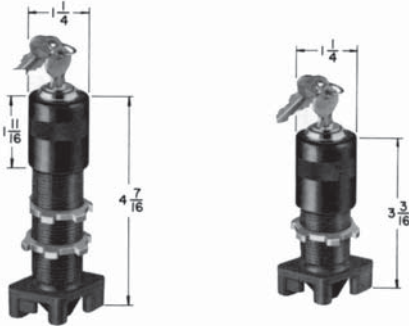


XHK: Keylock Selector Switch Operators

**XHKSS****XHKSSS****FOR 2-POSITION**

Key removable in one position only. For key removal in two positions, consult factory.

FOR 3-POSITION

Key normally removable in one position only specify right, center or left. For key removal in more than one position, consult factory.

FEATURES

- The barrels are all 3/4" NPSM thread. Max. installation thickness: 1-15/16" long barrel, 3/4" short barrel.
- Selector switch operators can be used as 2 position or 3 position by removal of knob and rotating knob 180°.
- The actuator cam which operates the plungers on the contact blocks can be readily changed for various contact sequences. FOR 3 POSITION, ORDERS MUST STATE CAM NUMBER.
- The exposed metal parts are black anodized aluminum.
- Contact blocks are not included with operators. Select contact block and sequence operating cam from contact block page.

LONG BARREL

Catalog #	Cam	# Pos.	Operator Description	Weight (lbs.)
XHKSS		2/3	Long Barrel	1/2
XHKSC*		3	Spring Return to Center from Right and Left	1/2
XHKSR2	2	2	Spring Return to Left from Right	1/2
XHKSR		3	Spring Return to Center from Right, Maintain Left	1/2
XHKSL2	4	2	Spring Return to Right from Left	1/2
XHKSL		3	Spring Return to Center from Left, Maintain Right	1/2

SHORT BARREL

Catalog #	Cam	# Pos.	Operator Description	Weight (lbs.)
XHKSSS		2/3	Surface Mount	1/2
XHKSSC*		3	Spring Return to Center from Right and Left	1/2
XHKSSR2	2	2	Spring Return to Left from Right	1/2
XHKSSR		3	Spring Return to Center from Right, Maintain Left	1/2
XHKSSL2	4	2	Spring Return to Right from Left	1/2
XHKSSL		3	Spring Return to Center from Left, Maintain Right	1/2

XPO: Potentiometer & Switch Operators

FEATURES

- Die cast aluminum alloy. The barrels are all 3/4" NPSM thread. 1/4" diameter shafts. Maximum installation thickness: 1-15/16" long barrel, 3/4" short barrel.
- XPO-XPOS have knob and dial marked 1 to 100. Two dial sizes are available.
- XPOC-XPOCS have 15 turn counting dial.
- Operators include 3 pc. coupling and device mounting bracket.
- Potentiometers not furnished, consult factory.



Catalog #	Operator Description	Mounting	Weight (lbs.)
XPO	Plain Dial	Panel	1/2
XPOL	Plain Dial, Large Size	Panel	1/2
XPOS	Plain Dial	Surface	1/2
XPOSL	Plain Dial, Large Size	Surface	1/2

Certifications

Class I, Division 1, Groups B, C & D
Class II, Groups E, F & G
NEMA 3, 4, 7 & 9 / IP66

